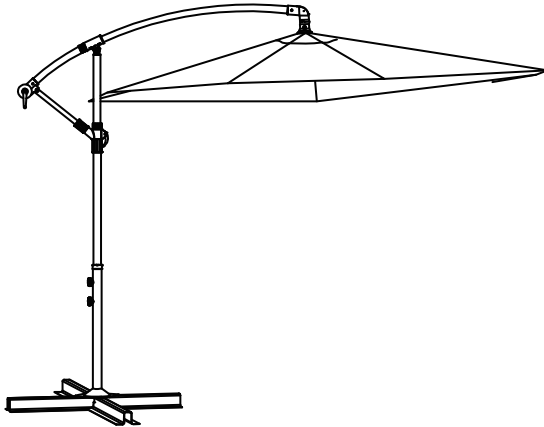




Enjoy Cozy Life!

10 FEET BANANA CANTILEVER UMBRELLA ASSEMBLY MANUAL



KOZYARD LLC PRODUCTS

WWW.KOZYARD.COM

© Copyright 2016 - 2023 Kozyard LLC. | All Rights Reserved.
Version:20231006

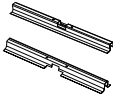



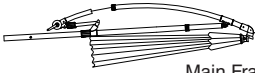
Assembly Instructions

- Prior to assembly, ensure that you lay out and identify all the parts listed in the parts list.
- Tighten all nuts and bolts securely. Hand-tighten all bolts before use. Avoid using power tools or applying excessive force during assembly and bolt tightening.
- If you encounter any difficulties during assembly or if any part is missing or damaged, please don't hesitate to contact our customer service team via email at info@kozyard.com or by calling our toll-free number at 866-355-0018.

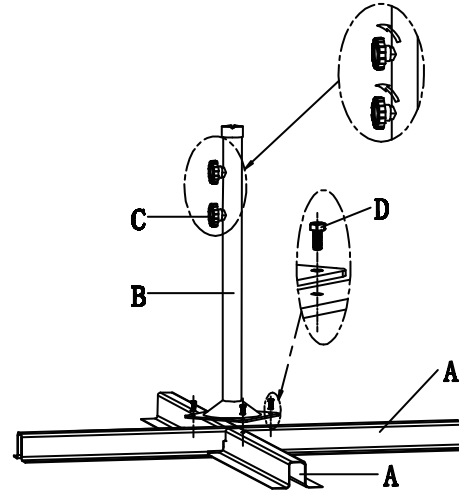
Warning

- Ensure that the umbrella base is placed on a stable, level surface.
- The base should be secured with heavy objects to prevent tipping or movement.
- Remember to close the umbrella on windy or rainy days to avoid damage and ensure safety.

Part list

Part	Description	Qty
A	 Base cross	2
B	 Base pole	1
C	 Plastic Lock screws	2
D	 Bolt	4
E	 Main Frame w/fabric	1

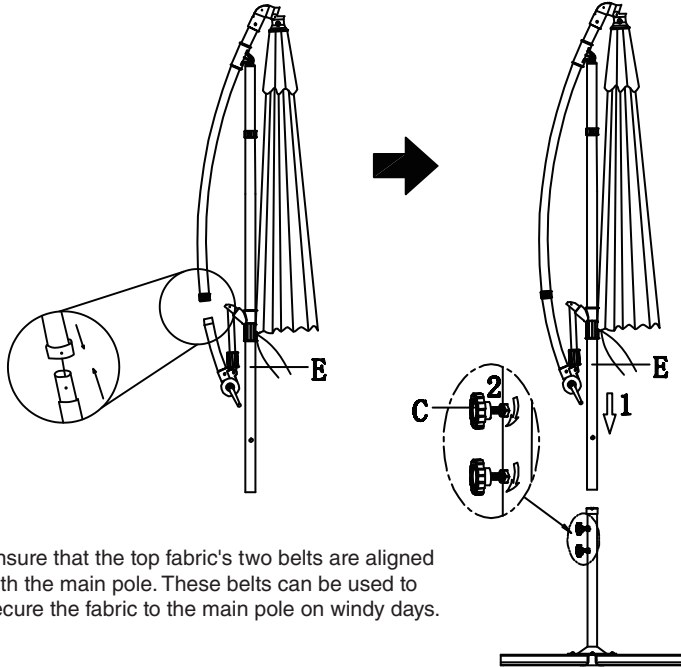
Step 1: Set up base



1. Assemble the base crosses (Part A) together.
2. Attach the base pole to the base cross using Bolt D as shown in the diagram.
3. Insert the plastic lock screws (Part C) into the designated stand holes.

Step 2:

First, assemble the hanging pole frame.
Then, place the main frame (Part E) in the base and secure it using Screw C, as shown in the diagram.



Ensure that the top fabric's two belts are aligned with the main pole. These belts can be used to secure the fabric to the main pole on windy days.

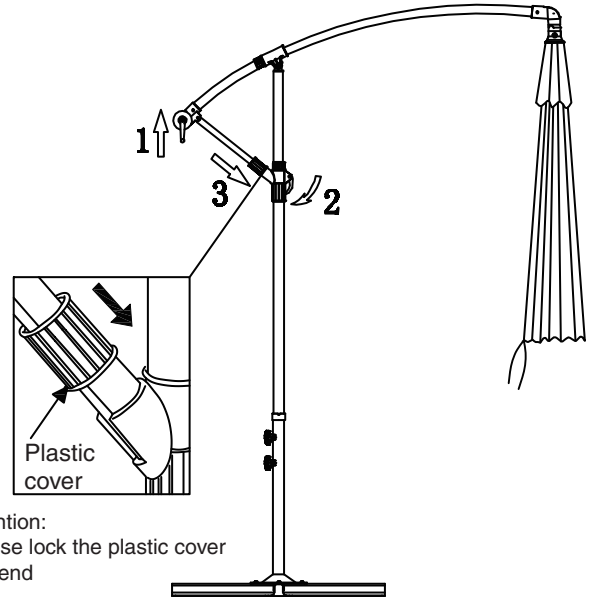
Please note: To insert the main frame, first, loosen Screws C as much as possible.

Step 3: open the umbrella

Step 1: Lift upper pole to the end.

Step 2: Push down the button.

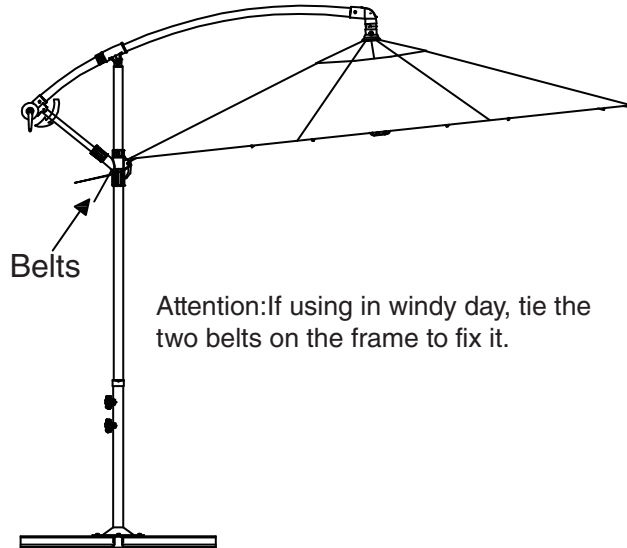
Step 3: Fix plastic cover as shown in diagram.



Attention:
Please lock the plastic cover
into end

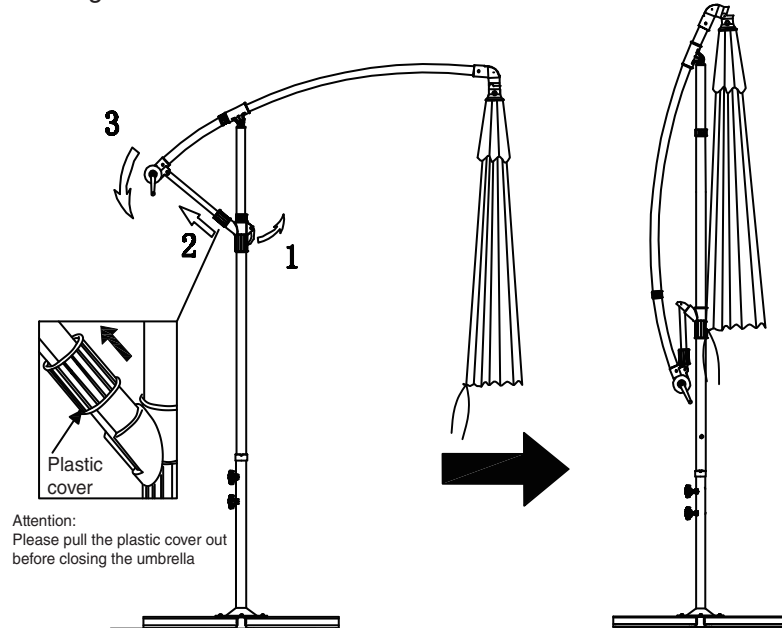
Step 4:

Move the crank clockwise to open the umbrella and counterclockwise to close as shown in diagram.



Step 5:

Close the umbrella on windy and rainy days in order to ensure its good condition and long life.



Step 1: Pull the button out.

Step 2: Pull the plastic cover out.

Step 3: Pull back pole to the end.

Care and warranty

- Clean the frame components and fabric with a mild soap solution, then rinse thoroughly. Avoid using bleach, acid, or any other solvents on either the fabric or frame components.
- For a comprehensive warranty policy, please visit www.kozyard.com. Be aware that warranty terms can change without prior notification.
- For the best performance and safety of your chair, inspect and tighten all bolts and fasteners regularly



Enjoy Cozy Life!

SUPPORT:

Toll free: 866-355-0018

www.kozyard.com

email: support@kozyard.com

SOCIAL MEDIA:



Follow us on Instagram

www.instagram.com/kozyard

KOZYARD LLC