



Enjoy Cozy Life!

8'x5' BBQ GAZEBO

ASSEMBLY MANUAL



KOZYARD LLC PRODUCTS

WWW.KOZYARD.COM

© Copyright 2016 - 2023 Kozyard LLC. | All Rights Reserved.
Version:20231006



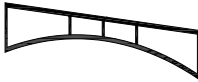
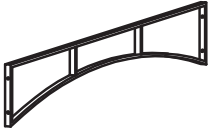













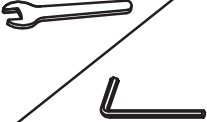

Assembly Instructions

- Prior to assembly, ensure that you lay out and identify all the parts listed in the parts list.
- Tighten all nuts and bolts securely. Hand-tighten all bolts before use. Avoid using power tools or applying excessive force during assembly and bolt tightening.
- Install at a minimum distance of 6 feet from any obstructions, such as fences, garages, houses, overhanging branches, laundry lines, or electrical wires.
- It is recommended to be at least 2 people for a safe assembly of the product.
- If you encounter any difficulties during assembly or if any part is missing or damaged, please don't hesitate to contact our customer service team via email at info@kozyard.com or by calling our toll-free number at 866-355-0018.

Care and warranty

- This product is designed for grill shelter purposes only under relatively normal weather conditions. Extremely high winds, heavy rain, or hail can cause severe damage to the canopy and canopy frame. It is the consumer's responsibility to protect this product against weather-related damages. The venting at the top of the canopy is suitable for handling moderate weather events.
- Clean the frame components and fabric with a mild soap solution, then rinse thoroughly. Avoid using bleach, acid, or any other solvents on either the fabric or frame components.
- For a comprehensive warranty policy, please visit www.kozyard.com. Be aware that warranty terms can change without prior notification.
- For the best performance and safety of your chair, inspect and tighten all bolts and fasteners regularly
- In the face of extremely strong winds or heavy precipitation, it's crucial to either remove or loosen the canopy to release wind pressure. Carefully monitor the situation during the weather event and take appropriate action. Secure the gazebo to something immovable to prevent it from becoming airborne.

Part list

 A 2PCS	 B 2PCS	 C 2PCS	 D 2PCS	 E 2PCS	
		 F 4PCS	 G 4PCS	 H 1PC	
		 J 2PCS	 K 6PCS	 L 2PCS	 M 26PCS M6x16
 N 8PCS M6x25	 P 6PCS M6x30	 Q 40PCS	 R 10PCS	 S 8PCS	
 4pcs					

Required Tools (Not included)



SAFETY GOOGLE



GLOVES



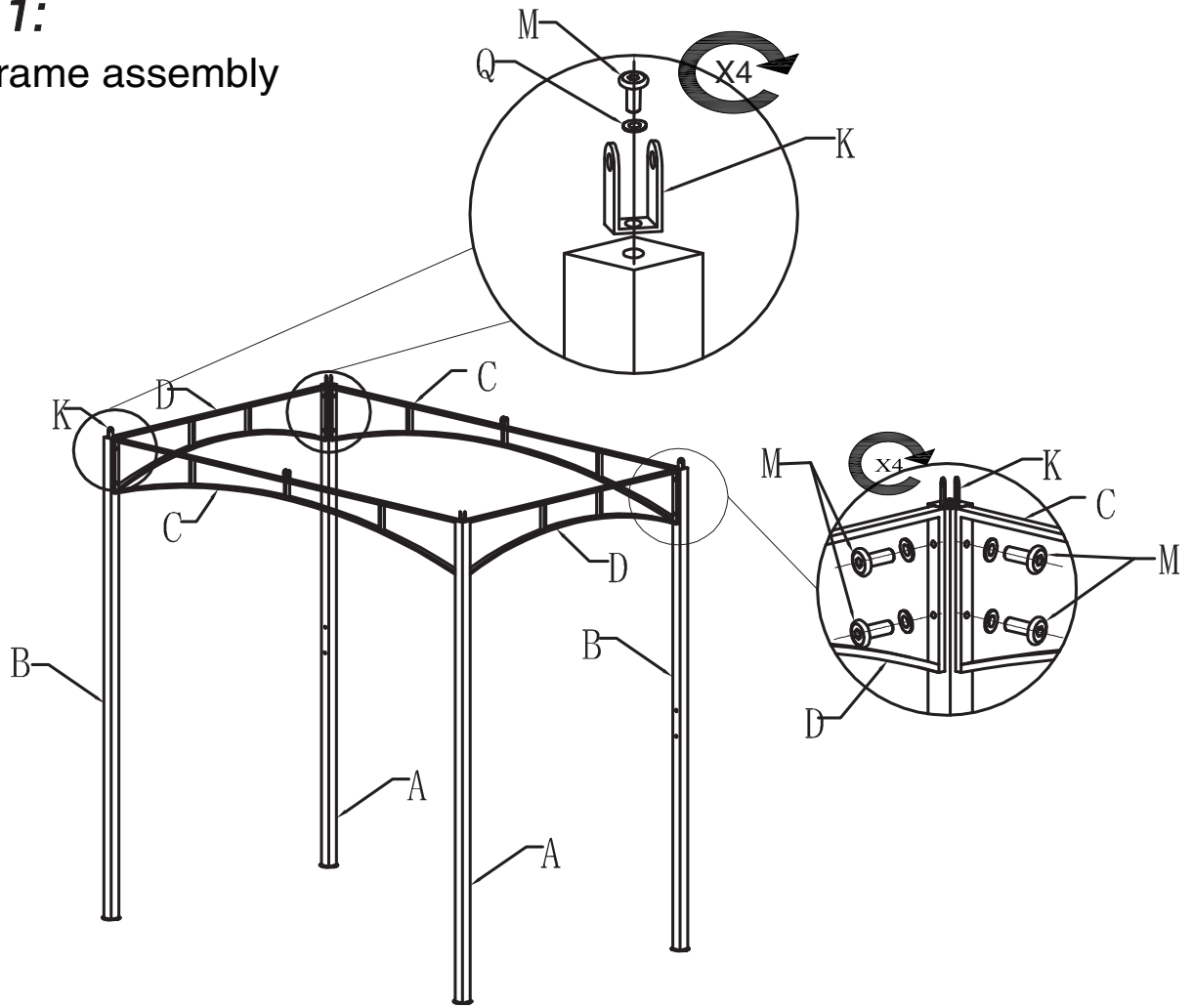
STEPLADDER



SAFETY HAT

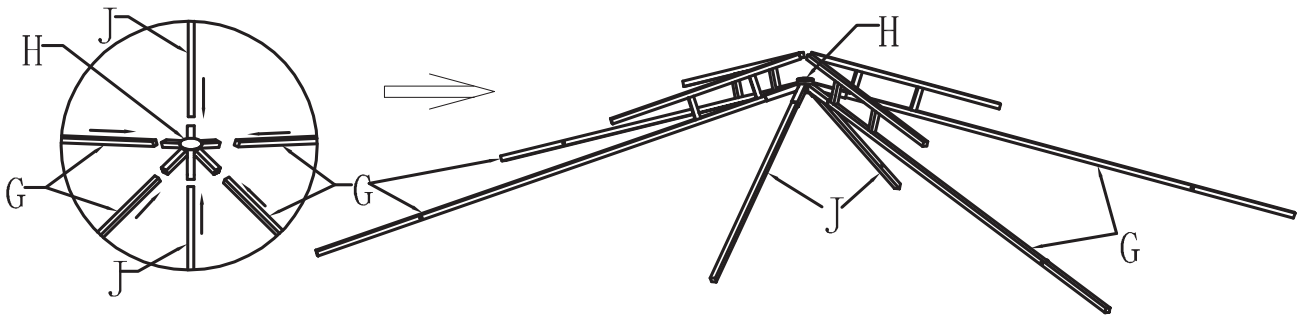
Step 1:

Main frame assembly



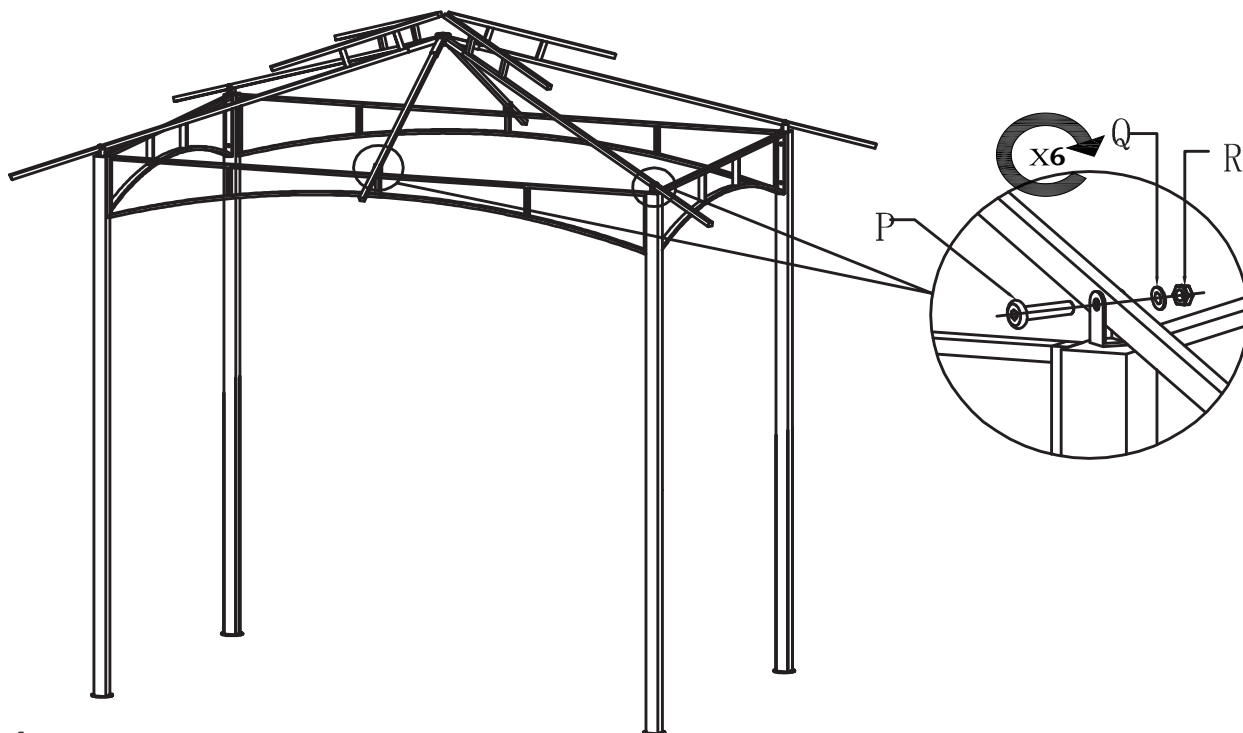
Step 2:

Canopy frame assem-



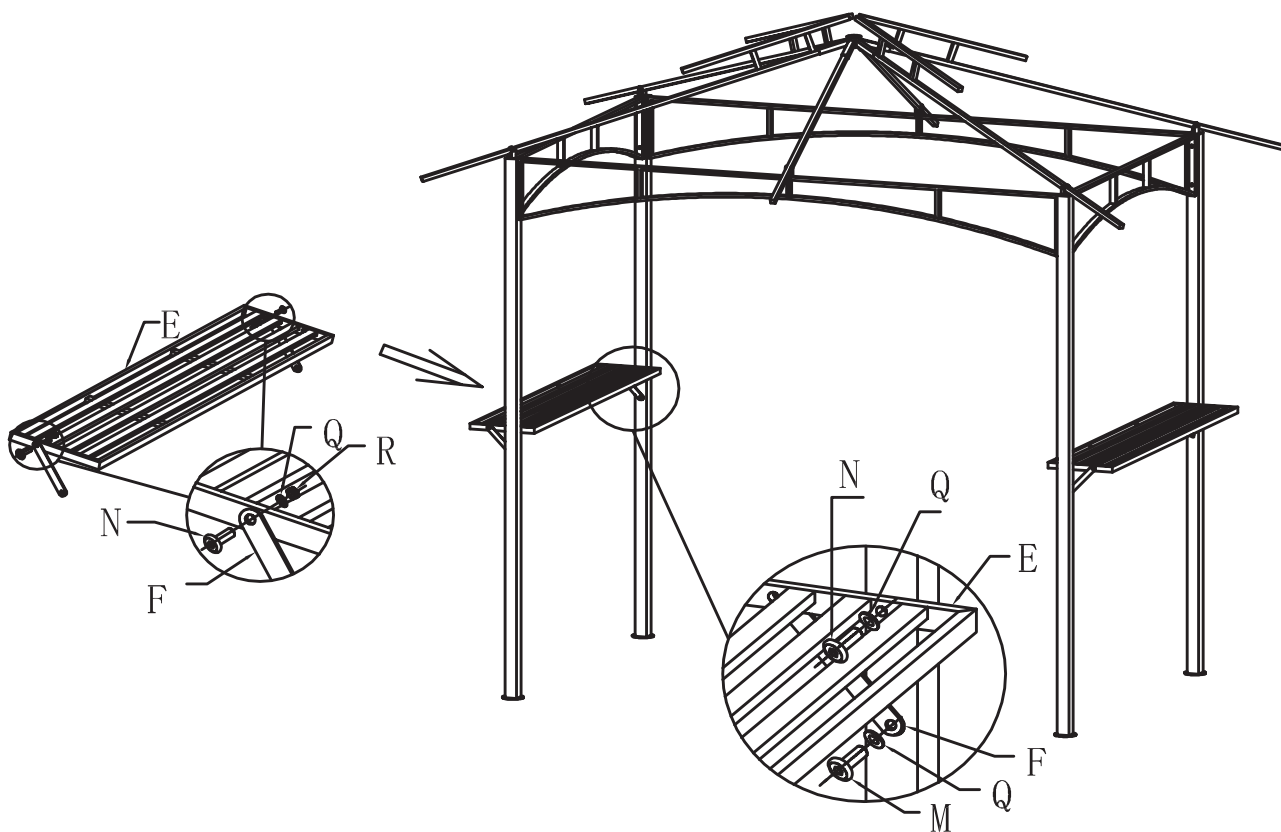
Step 3:

Secure canopy frame to the main frame



Step 4:

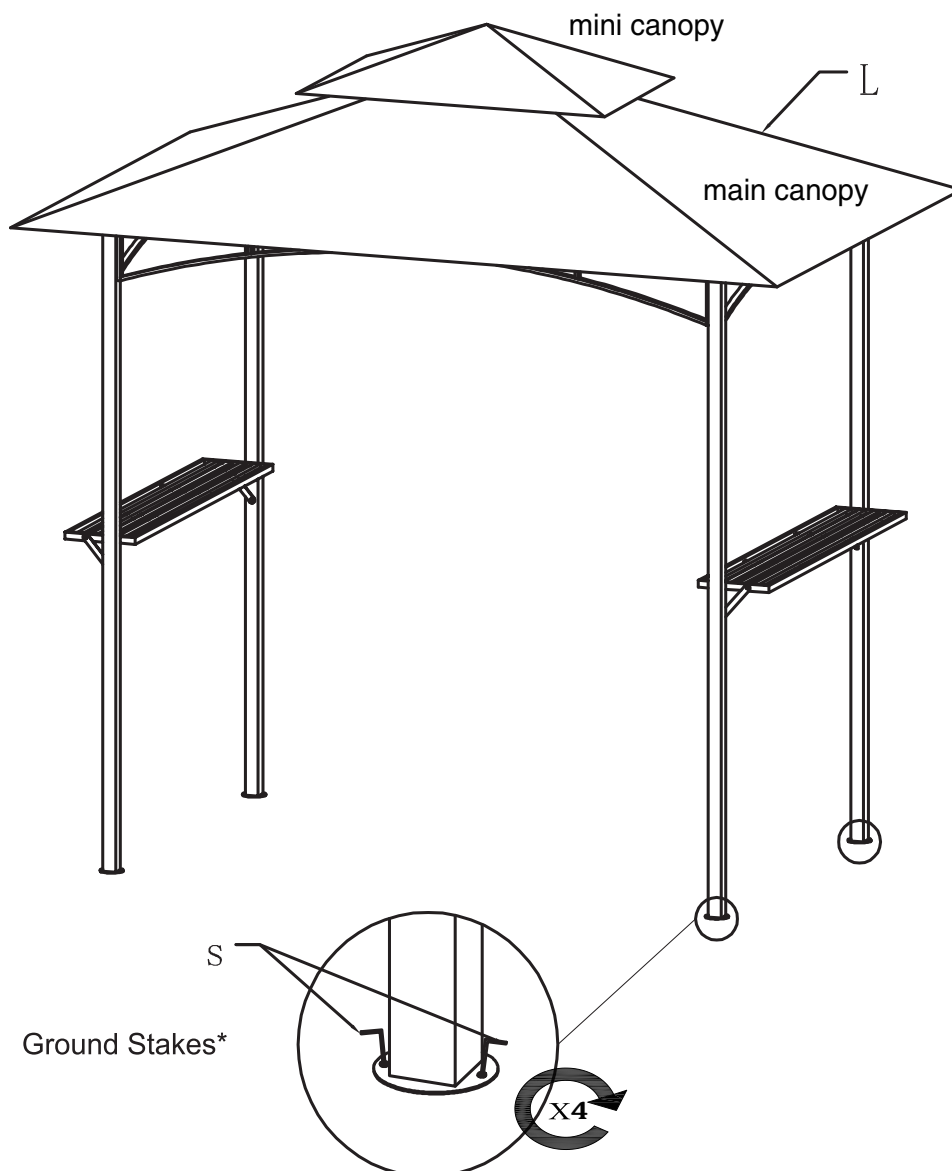
Attach side shelves to the main frame



Step 5:

Attach main and mini canopies and secure to ground

Caution: Use a sturdy stepladder to attach the main canopy first, followed by the mini canopy.



Use the provided ground stakes for lawns. If you are securing to decks or hard surfaces, please use the appropriate hardware (SOLD SEPARATELY).



Enjoy Cozy Life!

SUPPORT:

Toll free: 866-355-0018

www.kozyard.com

email: support@kozyard.com

SOCIAL MEDIA:



Follow us on Instagram

www.instagram.com/kozyard

KOZYARD LLC