

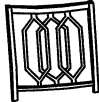

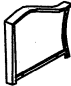
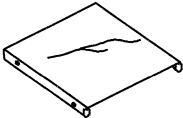

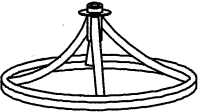


ASSEMBLY INSTRUCTIONS








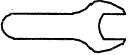
- Prior to assembly, make sure you lay out and identify all the parts listed below in the parts list.
- Tighten all nuts and bolts securely. All bolts should be hand tightened before use. Never use power tools or excessive force during assembly and tightening of bolts.
- Should you experience any difficulty during assembly or if any parts is missing or damaged:
Contact our customer service by email: info@kozyard.com or call toll free: 866-355-0018.

Warning:

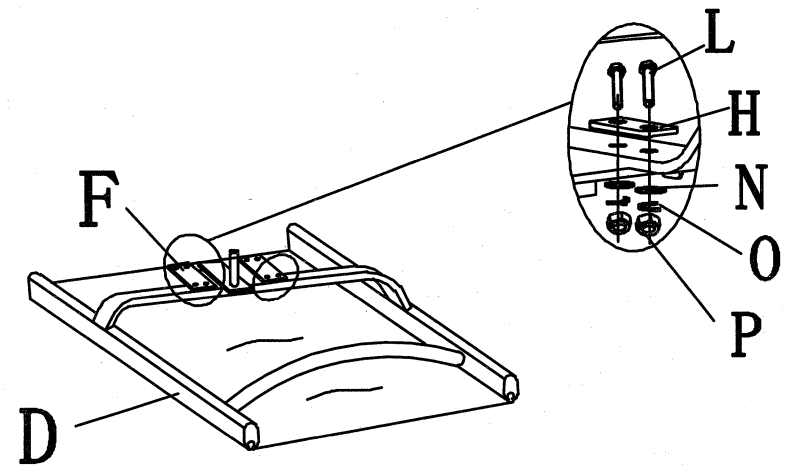
1. Max loading capacity of the chair:300 Lbs.

Part list

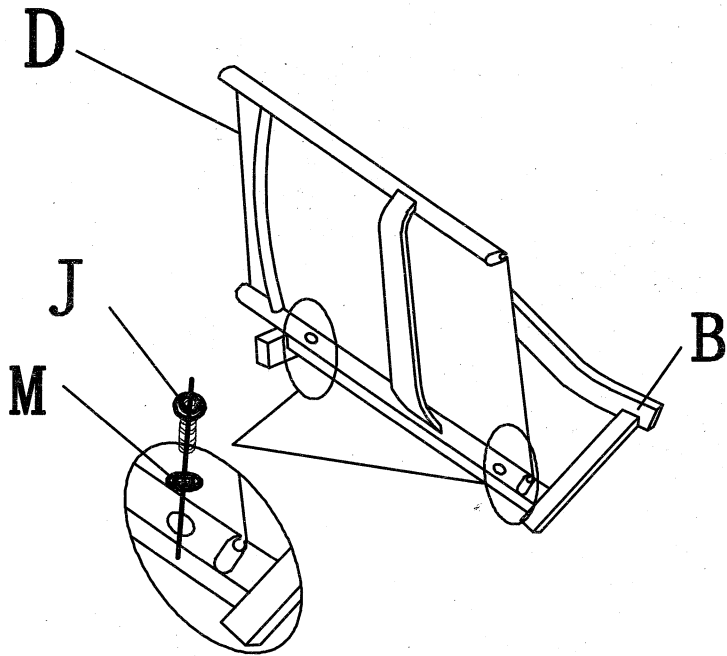
Part	Description	Qty
A	 Back	2
B	 Armrest	2
C	 Armrest	2
D	 Seat	2
F	 Connector	2
G	 Base	2
H	 Shim	4
I	 M6*28 Screws	8

Part	Description	Qty
J	 M6*32 Screws	8
L	 M8*32 Screws	8
M	 M6 Washer	16
N	 M8 Washer	8
O	 M8 Washer	8
P	 M8 Nut	8
Q		1
R		2

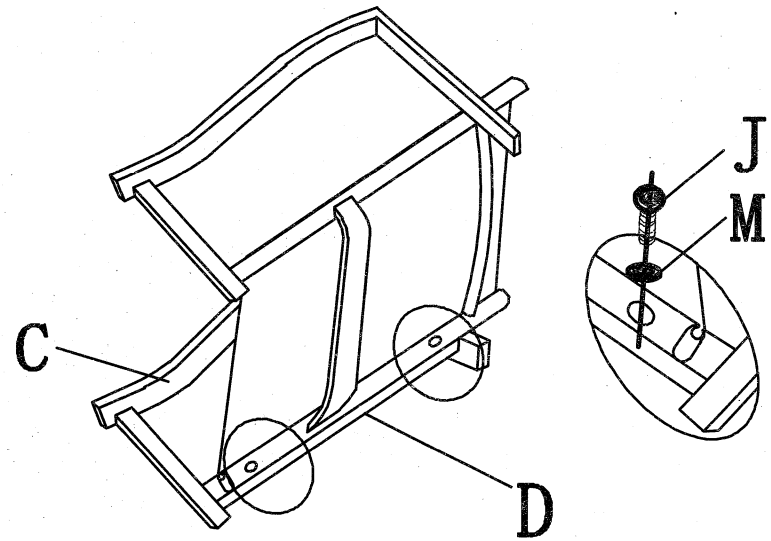
- 1** Fix Connector (Part F) to Seat (Part D) using Screws(L) with Shim(H) Nut (P) and Washer(N&O)



- 2.** Connect Armrest (Part B) with Seat (Part D) using Screws(J) and Washer(M) as show in diagram.



- 3.** Connect Armrest (Part C) with Seat (Part D) using Screws(J) and Washer(M) as show in diagram.



6. Eventually, check all screws are fixed tightly before using.

