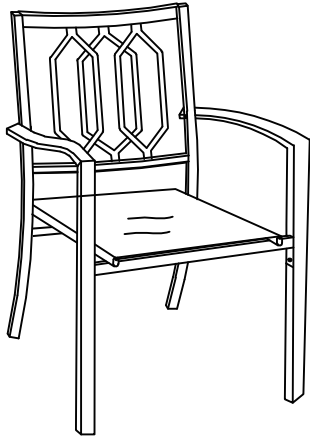




OUTDOOR PATIO STEEL DINING CHAIR ASSEMBLY MANUAL







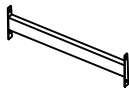



ASSEMBLY INSTRUCTIONS



- Prior to assembly, make sure you lay out and identify all the parts listed below in the parts list.
- Tighten all nuts and bolts securely. All bolts should be hand tightened before use. Never use power tools or excessive force during assembly and tightening of bolts.
- Should you experience any difficulty during assembly or if any parts is missing or damaged:
Contact our customer service by email: info@kozyard.com or call toll free: 866-355-0018.

Warning:

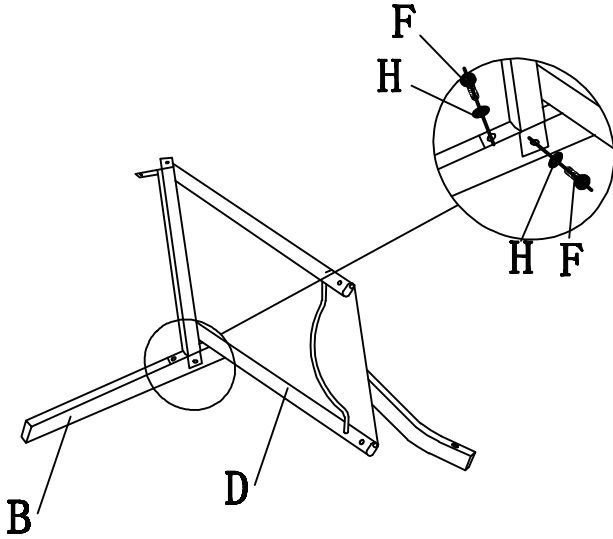
1. Max loading capacity of the chair:300 Lbs.

Part list

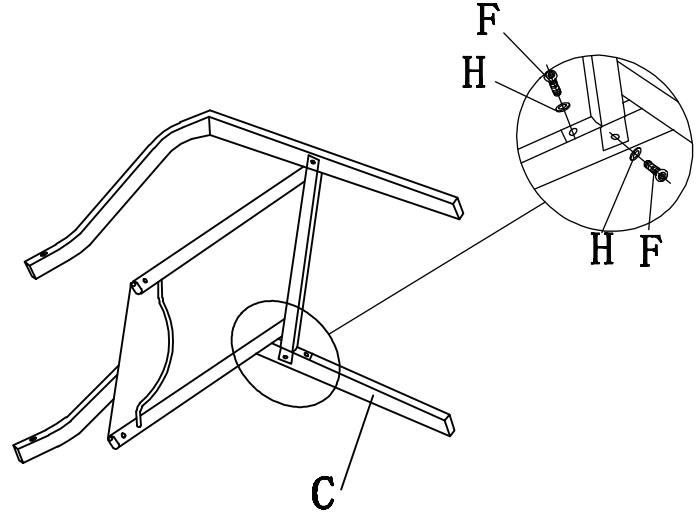
Part	Description	Qty
A	 Back	2
B	 Leg	2
C	 Leg	2
D	 Seat	2
J	 Leg connector	2
E	 M6x45 Bolt	4
F	 M6x12 Bolt	16
G	 M6x32 Bolt	4

Part	Description	Qty
H	 M6 Washer	24
I	 Allen key	1

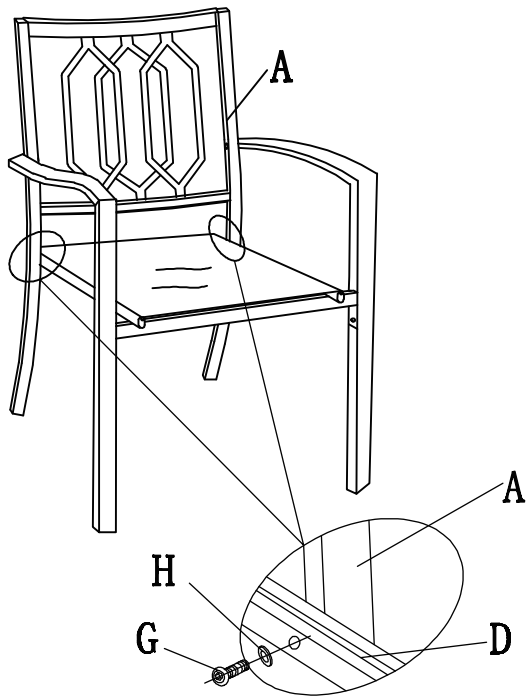
1. Connect the Seat (Part D) with Leg (Part B) using Bolt (F) as shown in diagram.



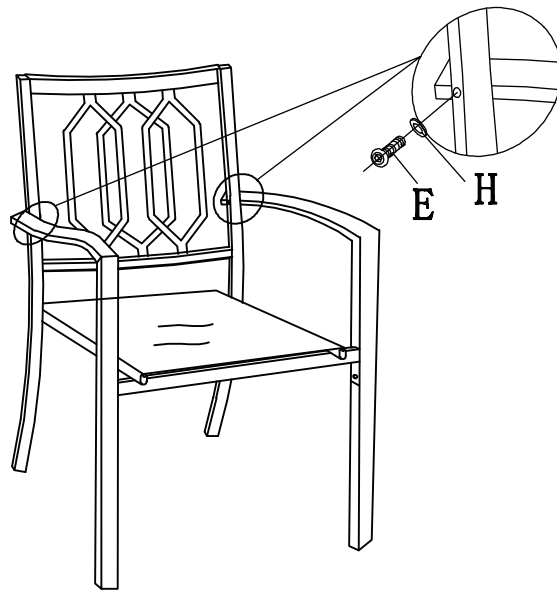
2. Connect Seat (Part D) with Leg (Part C) using M6*12 Bolt(F) with Washer(H) as shown in diagram.



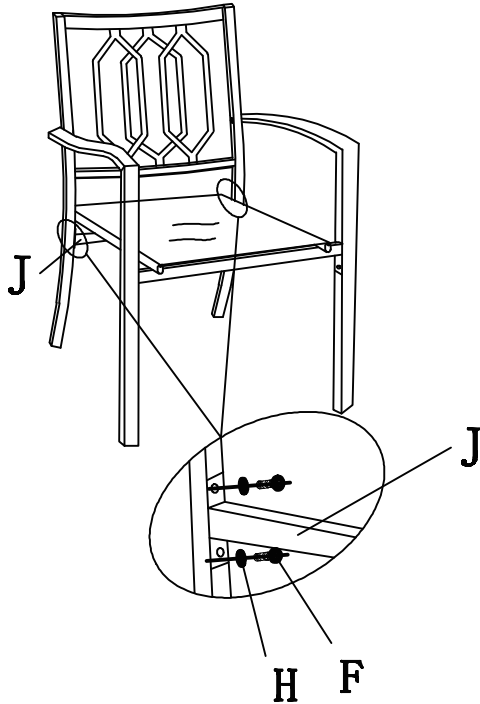
- 3.** Connect Back (Part A) with Seat (Part D) using Bolt (G) with Washer (H) as shown in diagram.



- 4.** Connect Back (Part A) with Legs Part (B&C) using Bolt (E) with Washer (H) as shown in diagram.



- 5.** Connect Leg Connector (Part J) with Back Leg (Part A) using Bolt(F) with Washer(H) as shown in diagram.



- 6.** Eventually, check all screws are fixed tightly before using.



Enjoy Cozy Life!

SUPPORT:

Toll free: 1-866-355-0018
www.kozyard.com
email: support@kozyard.com

SOCIAL MEDIA:



Follow us on Instagram
www.instagram.com/kozyard

Kozyard LLC