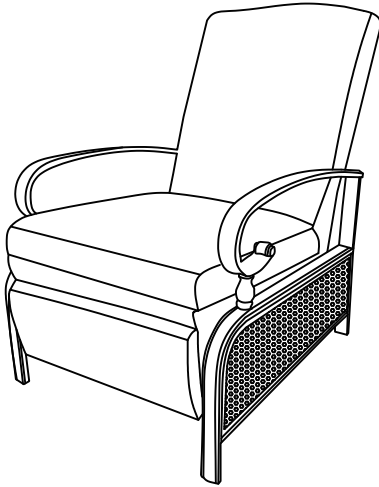




OUTDOOR PATIO STEEL RECLINER CHAIR ASSEMBLY MANUAL



KOZYARD LLC PRODUCTS
WWW.KOZYARD.COM

© Copyright 2016 - 2023 Kozyard LLC. | All Rights Reserved.
Version:20231006



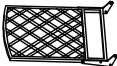


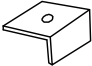


Assembly Instructions



- Prior to assembly, ensure that you lay out and identify all the parts listed in the parts list.
- Tighten all nuts and bolts securely. Hand-tighten all bolts before use. Avoid using power tools or applying excessive force during assembly and bolt tightening.
- If you encounter any difficulties during assembly or if any part is missing or damaged, please don't hesitate to contact our customer service team via email at info@kozyard.com or by calling our toll-free number at 866-355-0018.

Care and warranty

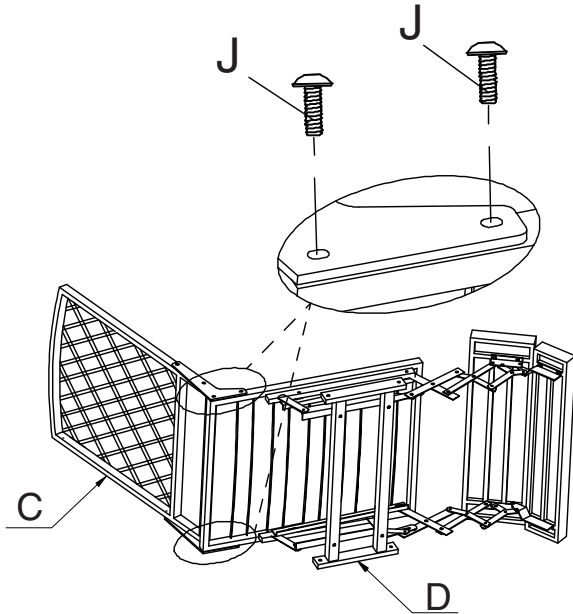
- The weight capacity of this recline chair is 250 lbs.
- Clean the frame components and fabric with a mild soap solution, then rinse thoroughly. Avoid using bleach, acid, or any other solvents on either the fabric or frame components.
- For a comprehensive warranty policy, please visit www.kozyard.com. Be aware that warranty terms can change without prior notification.
- For the best performance and safety of your chair, inspect and tighten all bolts and fasteners regularly

Part list

Part	Description	Qty
A	 Armrest	1
B	 Armrest	1
C	 Back	1
D	 Seat	1
F	 Connecting bar	1
G	 Wahser	4
H	 Cushion	1
I	 Allen key	1

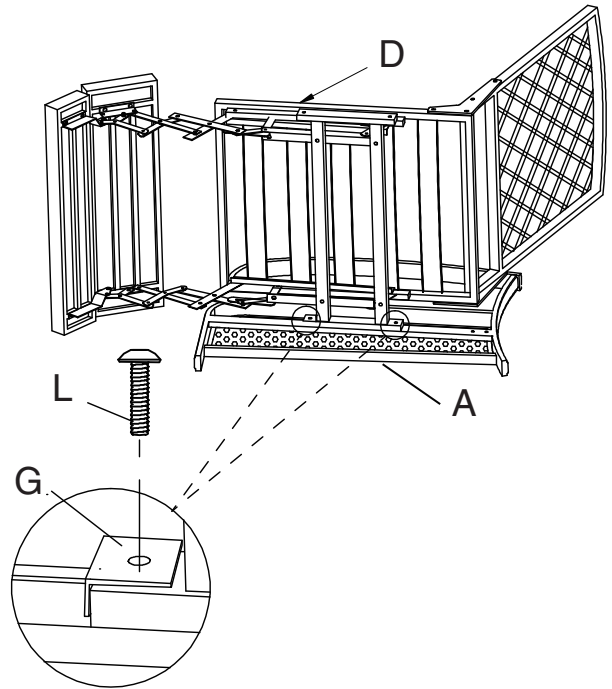
Part	Description	Qty
J	 M6*15 Screws	8
L	 M6*28 Screws	4

1. Connect the Back (Part C) to the Seat (Part D) using Screws (J) as shown in the diagram.

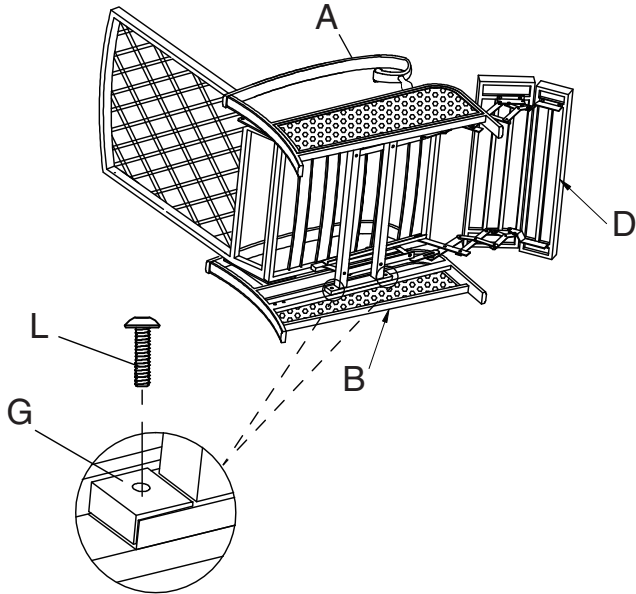


Reminder: All parts must be put on the carpet or rug in the assembly.

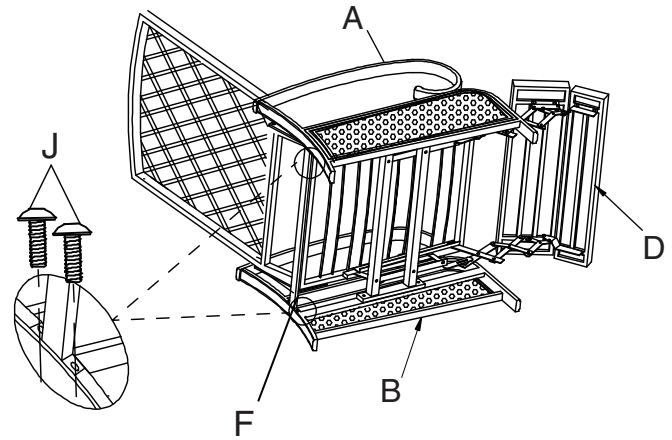
2. Affix Armrest (Part A) to Seat (Part D) using Washer (Part G) and Screws (L).



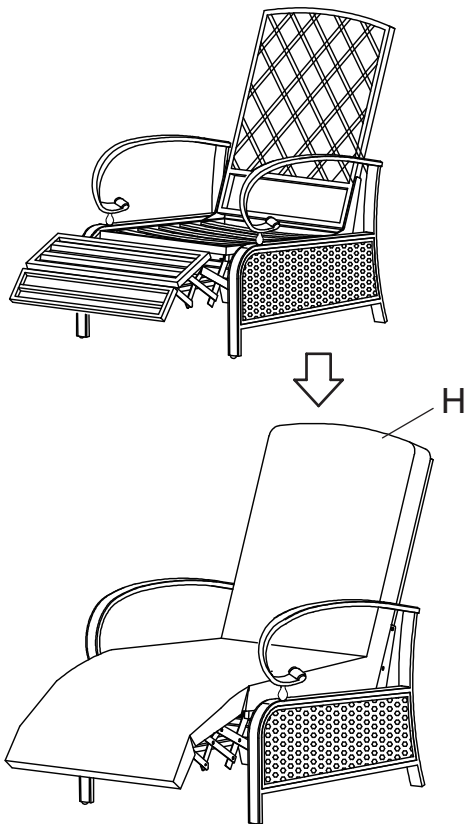
3. Connect Armrest (Part B) to Seat (Part D) using Washer (Part G) and Screws (L) as shown in the



4. Affix Connecting bar (Part F) to Seat (Part D) using Screws (J) as shown in the diagram.



5. Place Cushion (Part H) onto the complete frame.



Finally, ensure that all screws are securely tightened before using the equipment on level ground.



Enjoy Cozy Life!

SUPPORT:

Toll free: 866-355-0018

www.kozyard.com

email: support@kozyard.com

SOCIAL MEDIA:



Follow us on Instagram

www.instagram.com/kozyard

KOZYARD LLC