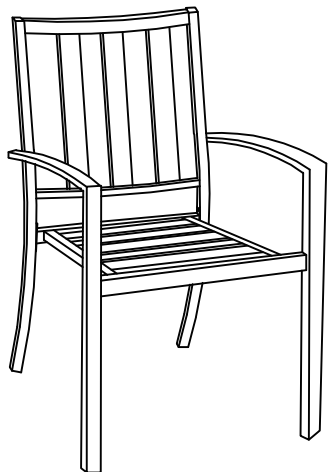




OUTDOOR PATIO STEEL DINING CHAIR ASSEMBLY MANUAL











ASSEMBLY INSTRUCTIONS

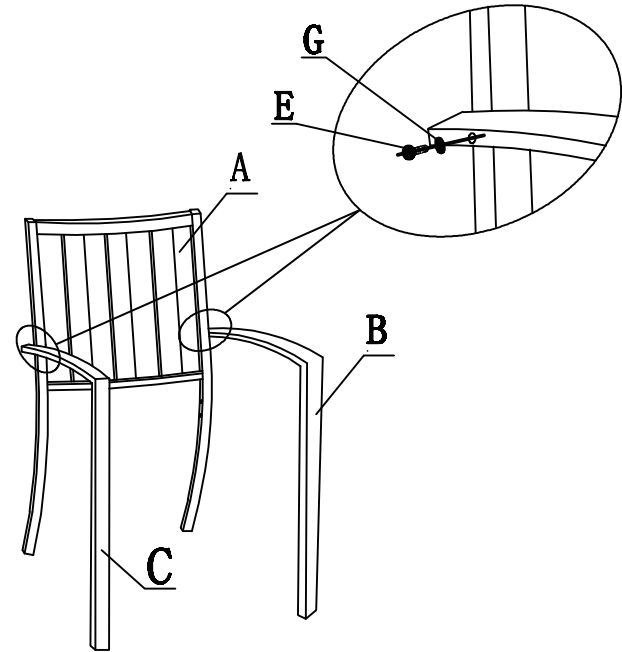
- Prior to assembly, make sure you lay out and identify all the parts listed below in the parts list.
- Tighten all nuts and bolts securely. All bolts should be hand tightened before use. Never use power tools or excessive force during assembly and tightening of bolts.
- Should you experience any difficulty during assembly or if any parts is missing or damaged:
Contact our customer service by email: info@kozyard.com or call toll free: 866-355-0018.

Warning: Max loading capacity of the chair: 300 Lbs.

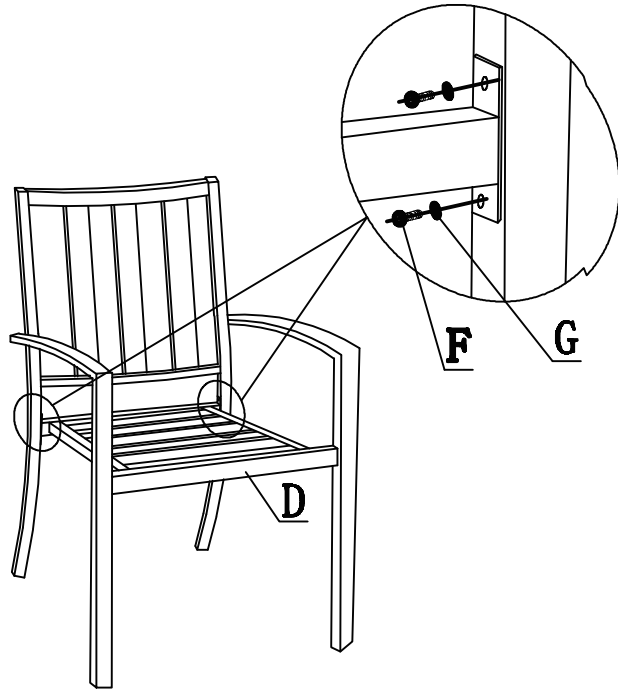
Part list

Part	Description	Qty
A	 Back	2
B	 Leg	2
C	 Leg	2
D	 Seat	2
E	 M6*60 Bolt	4
F	 M6*15 Bolt	16
G	 Washer	20
H	 Allen key	1

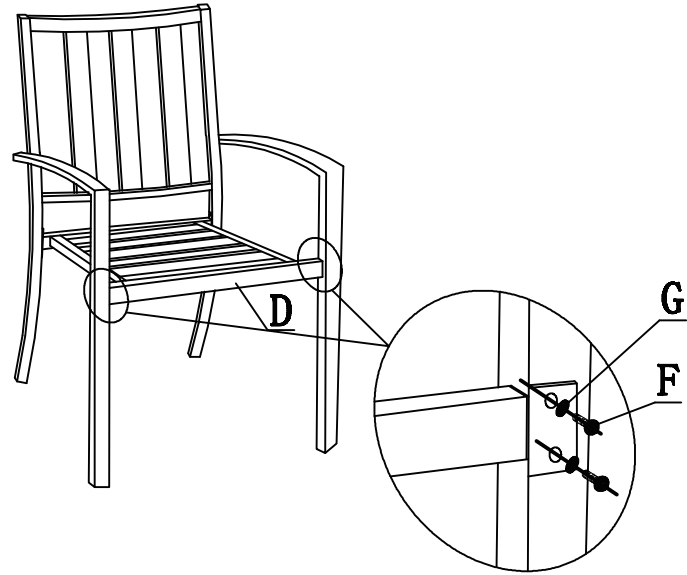
1. Connect the Back (Part A) with Legs (Part B&Part C) using Bolt (E) Washer (G) as shown in diagram.



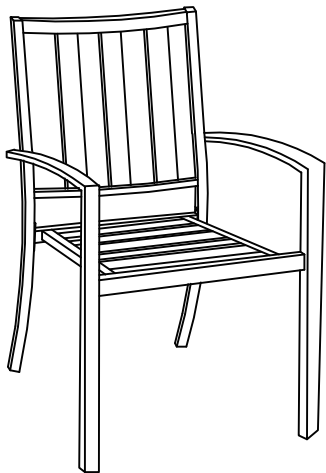
- 2.** Connect Seat (Part D) with Legs (Part C & Part D) using Bolt(F) and Washer(H) as shown in diagram.



- 3.** Connect Seat (Part D) with Legs (Part C & Part D) using Bolt(F) and Washer(H) as shown in diagram.



4. At last, Make sure all screws are fixed tightly before using on the level ground.



Enjoy Cozy Life!

SUPPORT:

Toll free: 1-866-355-0018
www.kozyard.com
email: support@kozyard.com

SOCIAL MEDIA: 

Follow us on Instagram
www.instagram.com/kozyard
Upload a picture of your Kozyard product in your home with the hashtag #kozyard share with your friends.

5. Do it twice for 2 chairs.