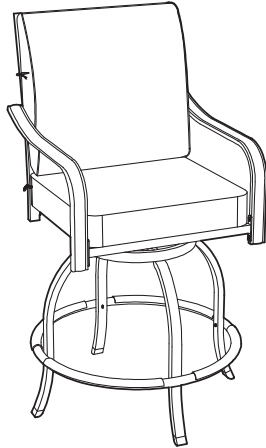




BISTRO BAR SWIVEL CHAIR

ASSEMBLY MANUAL



KOZYARD LLC PRODUCTS
WWW.KOZYARD.COM

© Copyright 2016 - 2023 Kozyard LLC. | All Rights Reserved.
Version:20231006



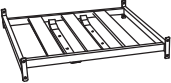





Assembly Instructions




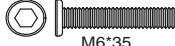




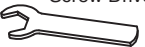
- Prior to assembly, ensure that you lay out and identify all the parts listed in the parts list.
- Tighten all nuts and bolts securely. Hand-tighten all bolts before use. Avoid using power tools or applying excessive force during assembly and bolt tightening.
- If you encounter any difficulties during assembly or if any part is missing or damaged, please don't hesitate to contact our customer service team via email at info@kozyard.com or by calling our toll-free number at 866-355-0018.

Care and warranty

- The weight capacity of this recline chair is 250 lbs.
- Clean the frame components and fabric with a mild soap solution, then rinse thoroughly. Avoid using bleach, acid, or any other solvents on either the fabric or frame components.
- For a comprehensive warranty policy, please visit www.kozyard.com. Be aware that warranty terms can change without prior notification.
- For the best performance and safety of your chair, inspect and tighten all bolts and fasteners regularly

Part list

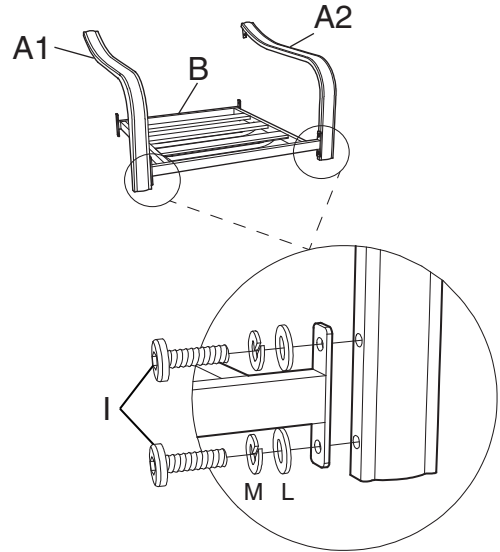
Part	Description	Qty
A1	 Right Arm	1
A2	 Left Arm	1
B	 Seat	1
C	 Back	1
D	 Wheel	1
E	 Leg	4
F	 Leg Connector	1
G	 Seat Cushion	1

Part	Description	Qty
H	 Back Cushion	1
I	 M6*15 Bolt	22+2
J	 M6*32 Bolt	4+1
K	 M6*35 Bolt	4+1
L	 Spring Washer	34
M	 Washer	34
N	 Nut	4+1
	 Allen Key 1X	
	 Screw Driver 1X	

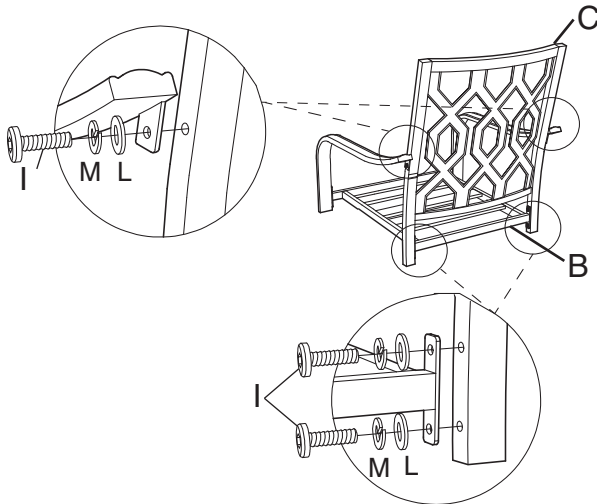


SWIVEL CHAIR

1. Connect the Right Arm (Part A1) and Left Arm (Part A2) to the Seat (Part B) using Bolt (I), Spring Washer (M), Washer (L) as shown in the diagram.



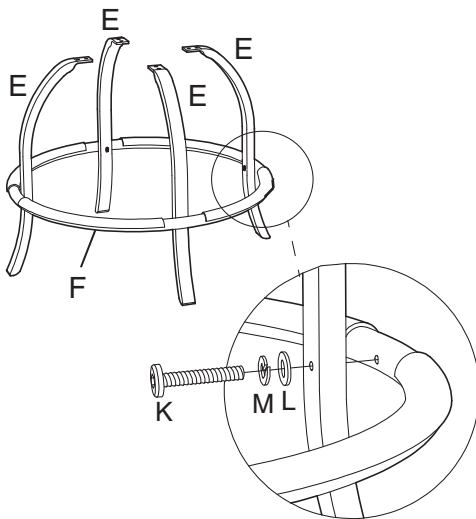
2. Connect the Back (Part C) and Arm (Part A1, A2) to the Seat (Part B) using Bolt (I), Spring Washer (M), Washer (L) as shown in the diagram.



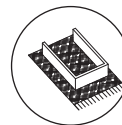
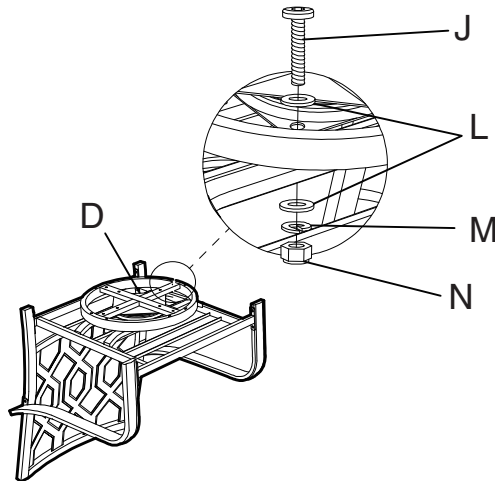


SWIVEL CHAIR

4. Connect Leg Connector (Part F) to Legs (Part E) using Bolt (K), Spring Washer (M), and Washer (L) as shown in the diagram.



3. Attach Wheel (Part D) to Seat (Part B) using Bolt (J), Spring Washer (M), Washer (L), and Nut (N) as shown in the diagram.

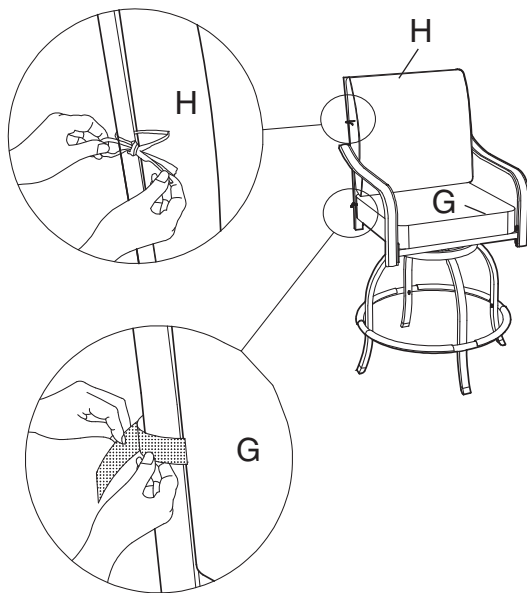


Reminder: All parts must be put on the carpet in the assembly.

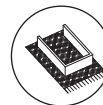
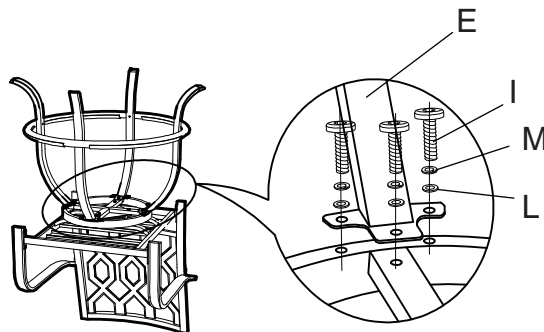


SWIVEL CHAIR

6. Place the Back Cushion (Part H) and Seat Cushion (Part G) on the frame, and then secure them to the Back (Part C) as shown in the diagram.



5. Attach Leg Base to Wheel (Part D) using Bolt(I) , Spring Washer (M) and Washer (L) as shown in the diagram.



Reminder: All parts must be put on the carpet in the assembly.

7. Ensure that all bolts are tightly secured before using on level ground.



Enjoy Cozy Life!

SUPPORT:

Toll free: 866-355-0018

www.kozyard.com

email: support@kozyard.com

SOCIAL MEDIA:



Follow us on Instagram

www.instagram.com/kozyard

KOZYARD LLC