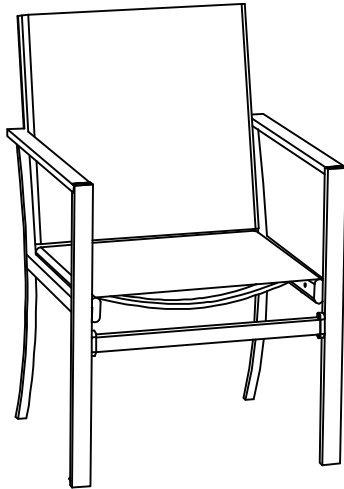




# LONDON KD ALUMINUM DINING CHAIR ASSEMBLY MANUAL



**KOZYARD LLC PRODUCTS**  
**WWW.KOZYARD.COM**

© Copyright 2016 - 2023 Kozyard LLC. | All Rights Reserved.  
Version:20231006


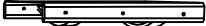
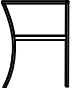

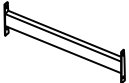



## ***Assembly Instructions***



- Prior to assembly, ensure that you lay out and identify all the parts listed in the parts list.
- Tighten all nuts and bolts securely. Hand-tighten all bolts before use. Avoid using power tools or applying excessive force during assembly and bolt tightening.
- If you encounter any difficulties during assembly or if any part is missing or damaged, please don't hesitate to contact our customer service team via email at [info@kozyard.com](mailto:info@kozyard.com) or by calling our toll-free number at 866-355-0018.

## ***Care and warranty***

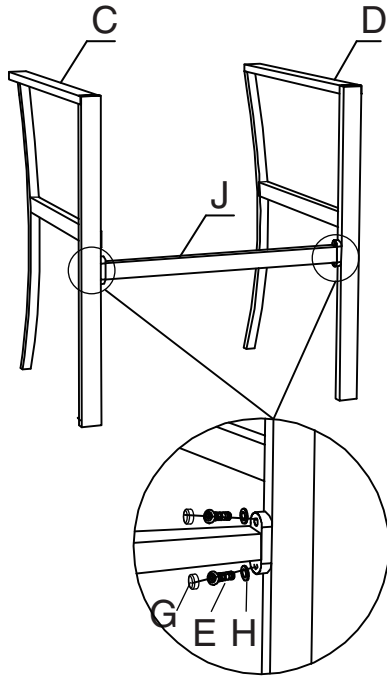
- The weight capacity of this chair is 250 lbs.
- Clean the frame components and fabric with a mild soap solution, then rinse thoroughly. Avoid using bleach, acid, or any other solvents on either the fabric or frame components.
- For a comprehensive warranty policy, please visit [www.kozyard.com](http://www.kozyard.com). Be aware that warranty terms can change without prior notification.
- For the best performance and safety of your chair, inspect and tighten all bolts and fasteners regularly

# Part list

Part	Description	Qty
A	 Back	1
B	 Seat	1
C	 Left Leg	1
D	 Right Leg	1
J	 Leg connector	1
E	 M6*15 Bolt	4
F	 M6*32 Bolt	10
G	 Cap	14

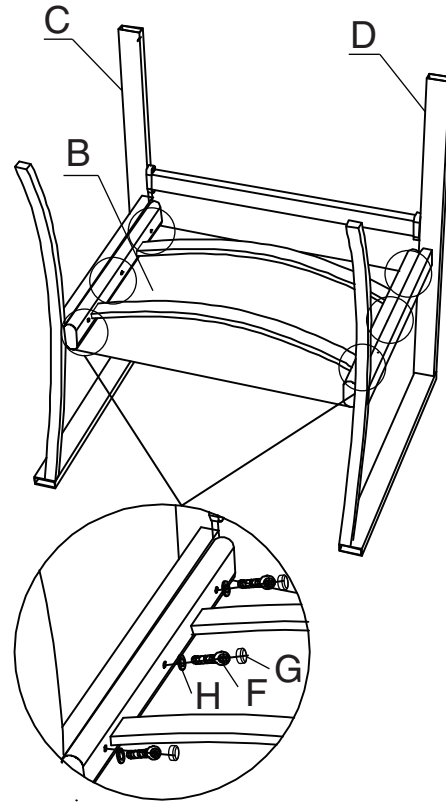
Part	Description	Qty
H	 M6 Washer	14
J	 Allen key	1

1. Assemble the Leg Connector Bar (Part J) with the Left Leg (Part C) and Right Leg (Part D) using Bolt (E), Cap (G), and Washer (H) as indicated in the diagram.



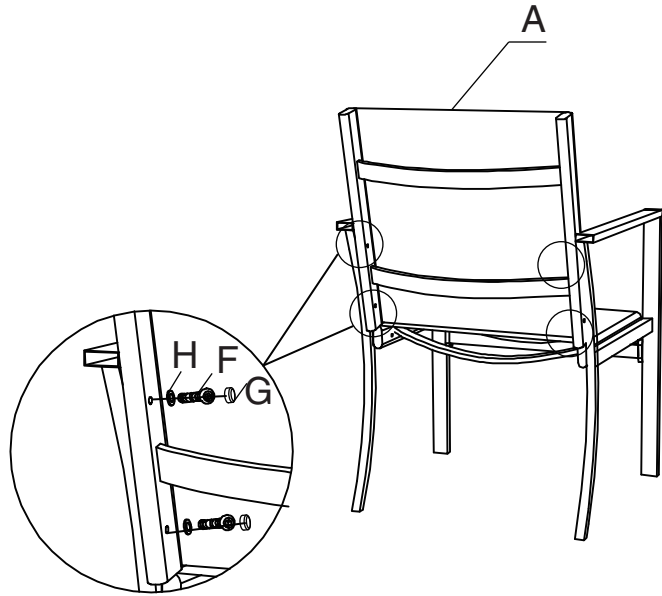
⚠ Do not tight screws fully until final step

2. Assemble the Seat (Part B) with Legs (Part C and Part D) using Bolt (F), Cap (G), and Washer (H) as depicted in the diagram.

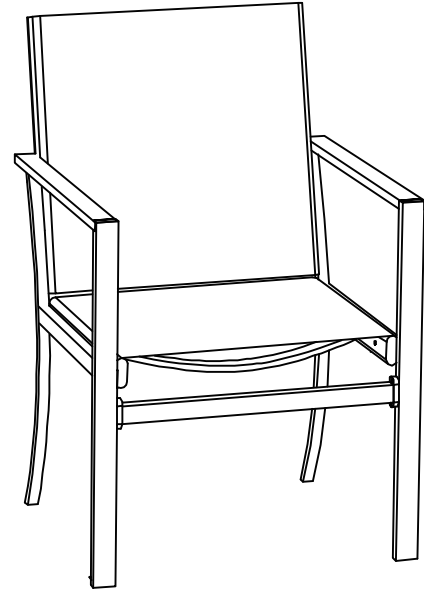


Reminder: All parts must be put on the carpet in the assembly.

3. Connect the Back (Part A) with Legs (Part C and Part D) using Bolt (F), Cap (G), and Washer (H) as illustrated in the diagram.



4. Ensure that all bolts are securely tightened before using the chair on level ground.





Enjoy Cozy Life!

**SUPPORT:**

Toll free: 1-866-355-0018

[www.kozyard.com](http://www.kozyard.com)

email: [support@kozyard.com](mailto:support@kozyard.com)

**SOCIAL MEDIA:**



Follow us on Instagram

[www.instagram.com/kozyard](http://www.instagram.com/kozyard)

**KOZYARD LLC**