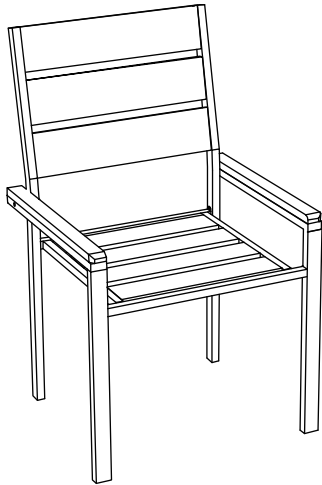




# BOSTON POLYWOOD DINING CHAIR ASSEMBLY MANUAL



**KOZYARD LLC PRODUCTS**  
**WWW.KOZYARD.COM**

© Copyright 2016 - 2023 Kozyard LLC. | All Rights Reserved.  
Version:20231006

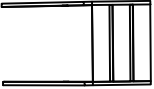


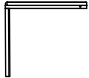



## ***Assembly Instructions***



- Prior to assembly, ensure that you lay out and identify all the parts listed in the parts list.
- Tighten all nuts and bolts securely. Hand-tighten all bolts before use. Avoid using power tools or applying excessive force during assembly and bolt tightening.
- If you encounter any difficulties during assembly or if any part is missing or damaged, please don't hesitate to contact our customer service team via email at [info@kozyard.com](mailto:info@kozyard.com) or by calling our toll-free number at 866-355-0018.

## ***Care and warranty***

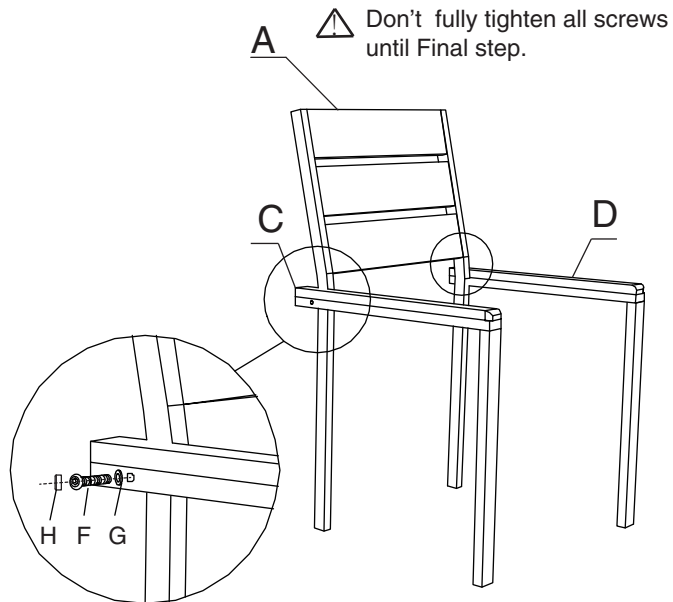
- The weight capacity of this chair is 250 lbs.
- Clean the frame components with a mild soap solution, then rinse thoroughly. Avoid using bleach, acid, or any other solvents on either the fabric or frame components.
- For a comprehensive warranty policy, please visit [www.kozyard.com](http://www.kozyard.com). Be aware that warranty terms can change without prior notification.
- For the best performance and safety of your chair, inspect and tighten all bolts and fasteners regularly

## Part list

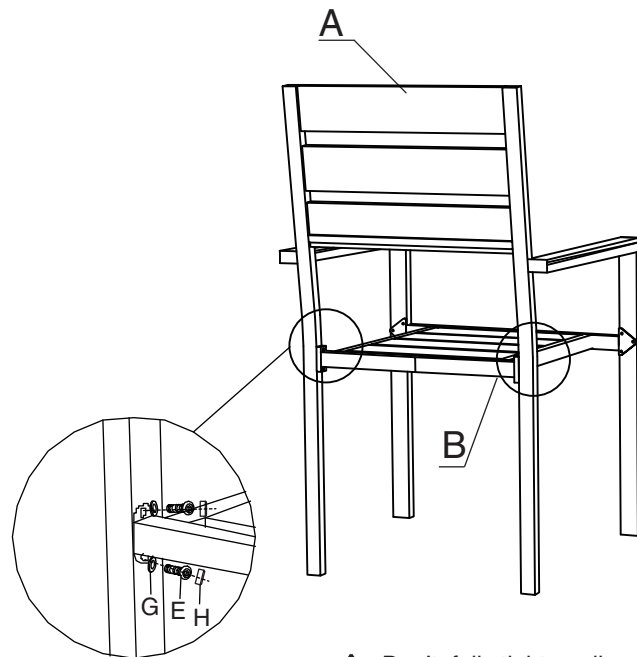
Part	Description	Qty
A	 Back	1
B	 Seat	1
C	 Right Leg	1
D	 Left Leg	1
E	 M6*20 Bolt	10
F	 M6*55 Bolt	2
G	 Washer	12

Part	Description	Qty
H	 End cap	12
J	 Allen key	1

**1.** Connect Back (Part A), Left Leg (Part C), and Right Leg (Part D) using Bolt (F), washer (G), and end cap (H) as shown in the diagram.




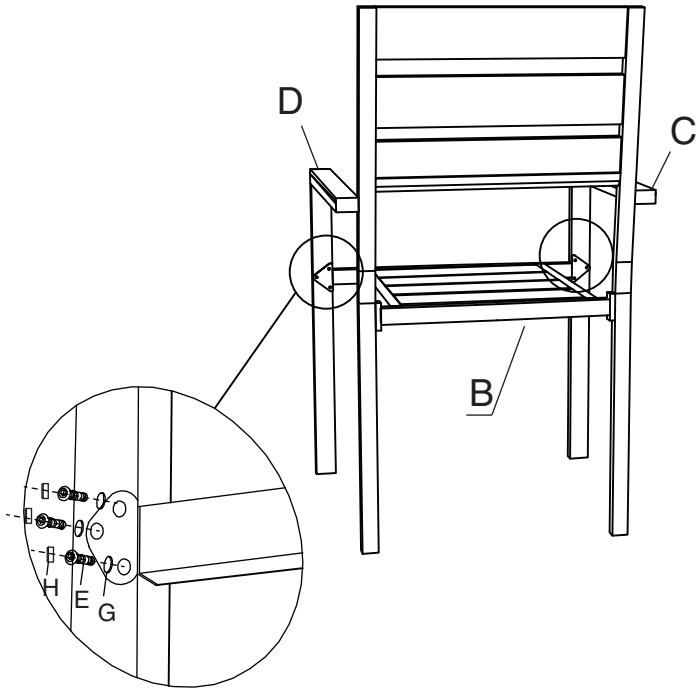
**2.** Connect Seat (Part B) with the rear legs of Back (Part A) using Bolt (E), Washer (G), and end cap (H) as shown in the diagram.



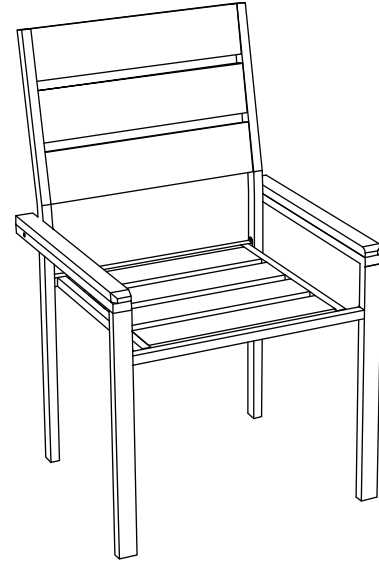
⚠ Don't fully tighten all screws until Final step.

**3.** Connect Seat (Part B) to the front Legs (Part C & Part D) using Bolt (E), Washer (G), and end cap (H) as shown in the diagram.

 Don't fully tighten all screws until Final step.



**4.** Make sure all bolts are fixed tightly before using on the level ground.





Enjoy Cozy Life!

**SUPPORT:**

Toll free: 866-355-0018

[www.kozyard.com](http://www.kozyard.com)

email: [support@kozyard.com](mailto:support@kozyard.com)

**SOCIAL MEDIA:**



Follow us on Instagram

[www.instagram.com/kozyard](http://www.instagram.com/kozyard)

**KOZYARD LLC**