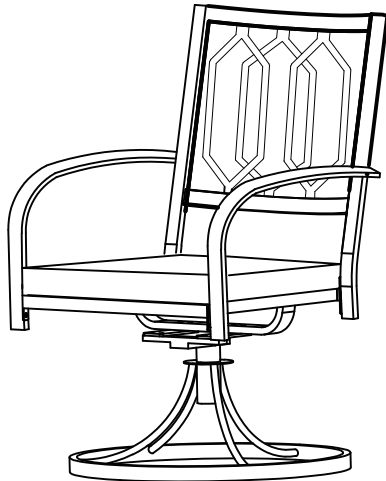




# OUTDOOR PATIO STEEL ROTATION DINING CHAIR



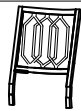
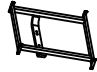




## ASSEMBLY MANUAL










### ASSEMBLY INSTRUCTIONS

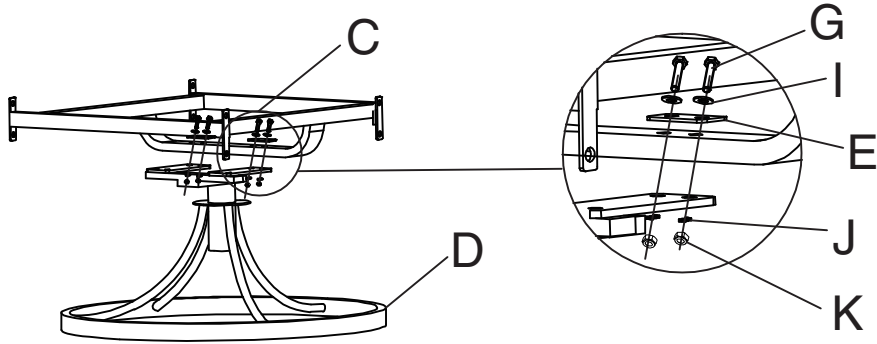
- Prior to assembly, make sure you lay out and identify all the parts listed below in the parts list.
- Tighten all nuts and bolts securely. All bolts should be hand tightened before use. Never use power tools or excessive force during assembly and tightening of bolts.
- Should you experience any difficulty during assembly or if any parts is missing or damaged:  
Contact our customer service by email: [info@kozyard.com](mailto:info@kozyard.com) or call toll free: 866-355-0018.

# Part list

Part	Description	Qty
A-L	 Armrest	1
A-R	 Armrest	1
B	 Back	1
C	 Seat	1
D	 Base	1
E	 Shim	2
F	 M6*12 Screws	10
G	 M8*35 Screws	4

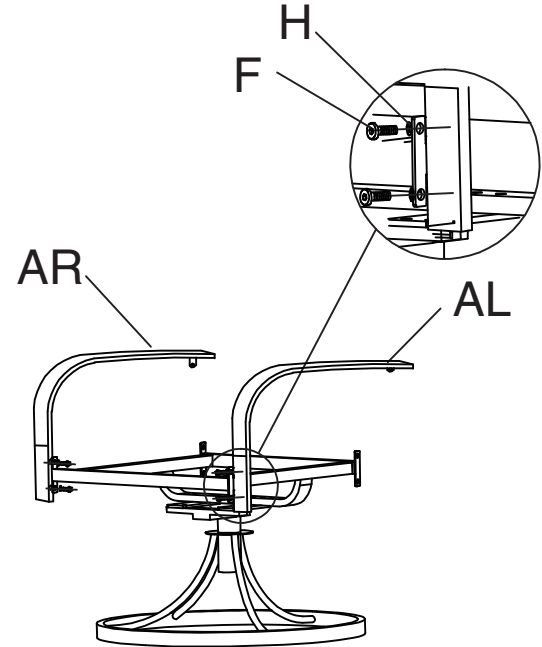
Part	Description	Qty
H	 M6 Washer	10
I	 M8 Washer	4
J	 Washer	4
K	 Nut	4
L	 M6 Allen key	1
M	 M8	2
N	 Cushion	1

- 1.** Fix Seat Part (C) to Base Part (D) using Screws (G) with Shim (E), Washer (I&J) and Nut (K) as shown in diagram.

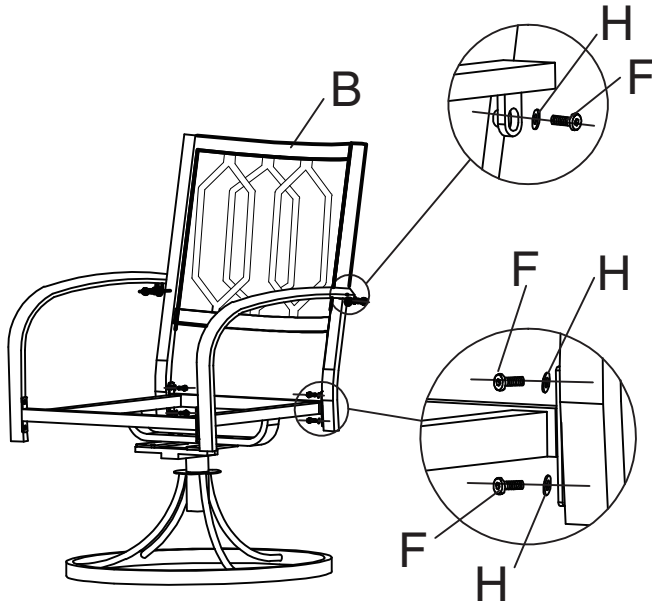


Attention:  
The Seat Part (C) must be placed between  
Shim Part (E) and Base Part (D).

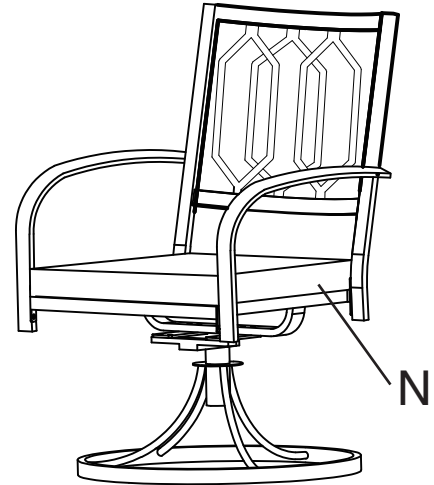
- 2.** Connect Armrests Part (AR&AL) with Seat Part (C) using Screws (F) and Washer (H) as shown in diagram.



- 3.** Connect Back Part (B) with Armrests Part (AR&AL) and Seat Part (C) using Screws (F) and Washer (H) as shown in diagram.



- 4.** Put the Cushion Part (N) on the seat.



- 5.** Eventually, check all screws are fixed tightly before using.



Enjoy Cozy Life!

**SUPPORT:**

Toll free: 1-866-355-0018  
[www.kozyard.com](http://www.kozyard.com)  
email: [support@kozyard.com](mailto:support@kozyard.com)

**SOCIAL MEDIA:**



Follow us on Instagram  
[www.instagram.com/kozyard](http://www.instagram.com/kozyard)  
Upload a picture of your Kozyard  
product in your home with the  
hashtag #kozyard share with your  
friends.