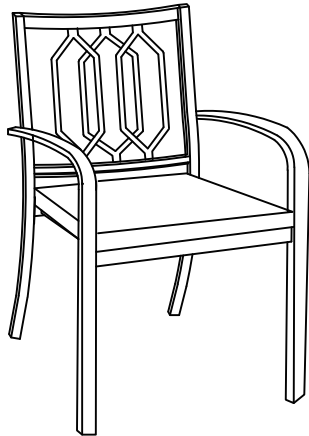




OUTDOOR PATIO STEEL KD DINING CHAIR

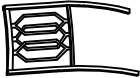








ASSEMBLY MANUAL



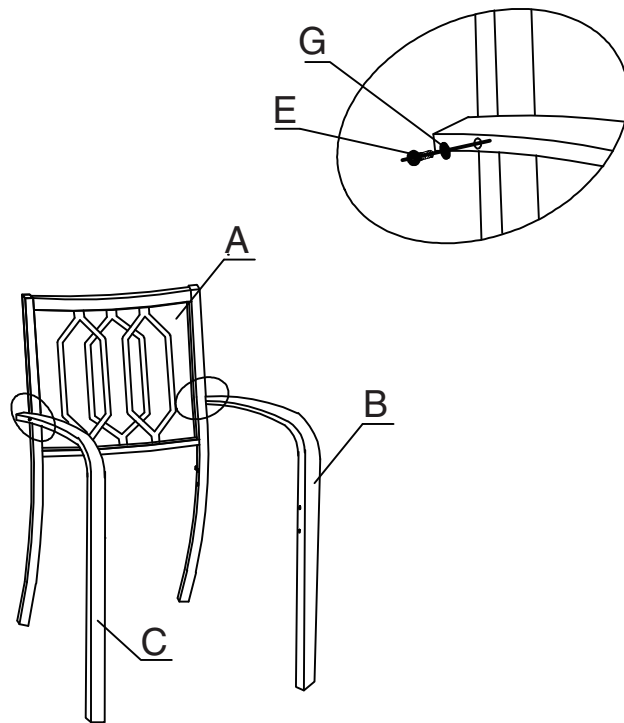
ASSEMBLY INSTRUCTIONS

- Prior to assembly, make sure you lay out and identify all the parts listed below in the parts list.
- Tighten all nuts and bolts securely. All bolts should be hand tightened before use. Never use power tools or excessive force during assembly and tightening of bolts.
- Should you experience any difficulty during assembly or if any parts is missing or damaged:
Contact our customer service by email: info@kozyard.com or call toll free: 866-355-0018.

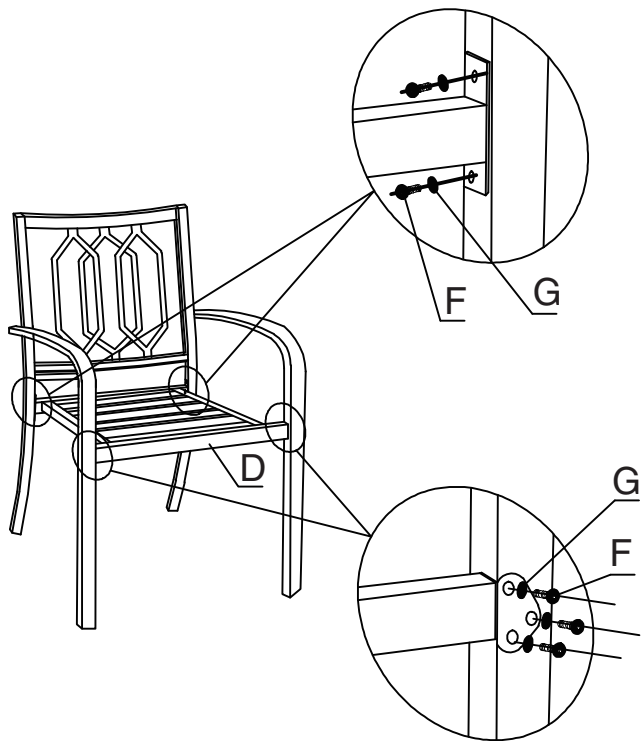
Part list

Part	Description	Qty
A	 Back	1
B	 Leg	1
C	 Leg	1
D	 Seat	1
E	 M6*60 Screws	2
F	 M6*15 Screws	10
G	 Washer	12
H	 Allen key	1
I	 Cushion	1

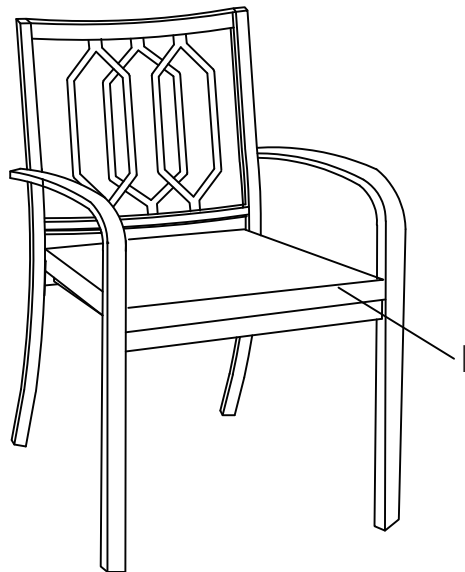
1. Connect Legs Part (B&C) with Back Part (A) using Screws (E) and Washer (G) as shown in diagram.



- 2.** Connect Seat Part (D) with Back and Legs Part (A&B&C) using Screws (F) and Washer (G) as shown in diagram.



- 3.** Put the Cushion Part (I) on the seat.



- 4.** Eventually, check all screws are fixed tightly before using.



Enjoy Cozy Life!

SUPPORT:

Toll free: 1-866-355-0018
www.kozyard.com
email: support@kozyard.com

SOCIAL MEDIA:



Follow us on Instagram
www.instagram.com/kozyard
Upload a picture of your Kozyard
product in your home with the
hashtag #kozyard share with your
friends.