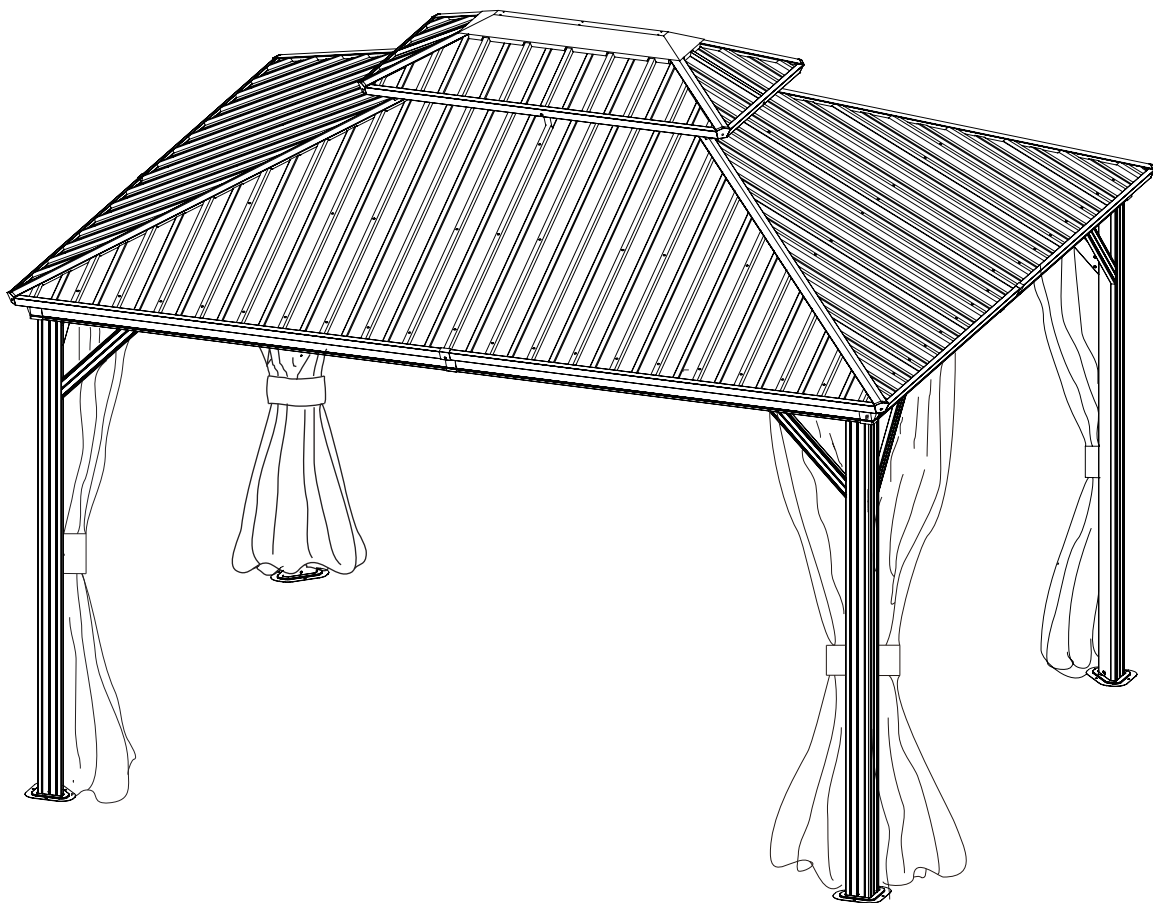




Enjoy Cozy Life!

**10'x12' CAESAR HARDTOP GAZEBO  
WITH DOUBLE ROOF**

**ASSEMBLY MANUAL**



**KOZYARD LLC PRODUCTS**

**WWW.KOZYARD.COM**

# Warnings and Cautions

- Please read and follow this assembly and operation guide to reduce the risk of personal injury and damage to your gazebo.
- Do not discard any of the packaging until you have checked that you have all the parts in place. The maximum weight capacity of this gazebo roof is 2000 pounds.
- Sidewalls and nettings should be off or in the opened position and tied to poles when winds are over 30 MPH to avoid damage.
- Some parts may have sharp edges or corners. To ensure your safety, follow basic safety precautions to reduce the risk of injury. Please note that this item contains small parts which could be swallowed by children. Keep it out of reach of children under 3 years old and pets during installation.



Two or more people are required for assembly and disassembly.



Do not fully tighten screw prior to complete assembly.

## Pre-assembly

Tools that may be required. (Not included in boxes)

Note: Tools are not shown to actual size and scale.



Level



Phillips Screw



Drill



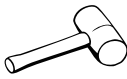
Allen Key



Allen Key



Safety Hat



Rubber Mallet



Gloves

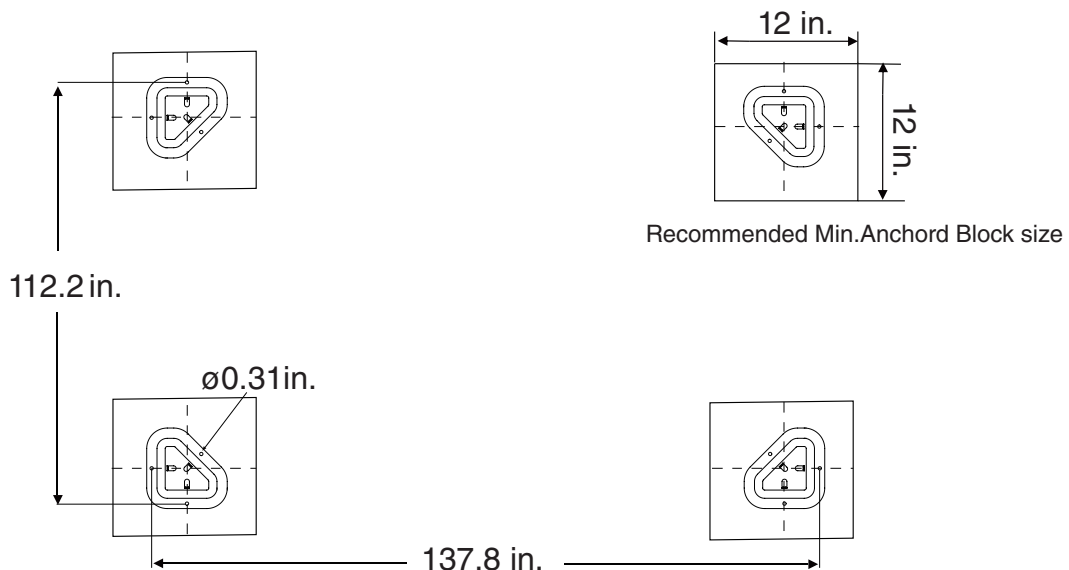


Stepladder



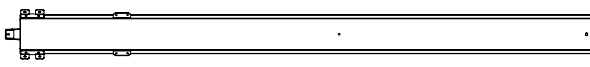
Safetyglasses

## 10'x12' Anchor Blueprint

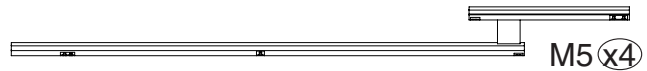


Anchoring poles into concrete is strongly recommended.  
Ensure the gazebo is positioned on level ground

Attention: Prior to assembly, verify that all parts and pieces are included to ensure an efficient installation process.



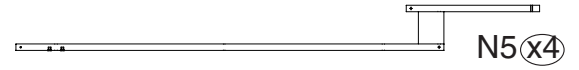
A5 (x4)



M5 (x4)



D5 (x2)



N5 (x4)



E5 (x2)



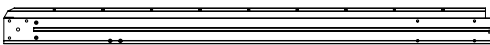
P (x2)



D6 (x2)



P1 (x2)



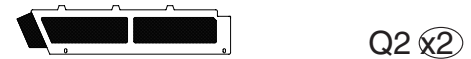
E6 (x2)



Q (x2)



Q1 (x2)



Q2 (x2)



F5 (x4)



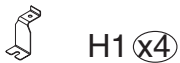
G5 (x4)



R (x12)



R1 (x4)



H1 (x4)



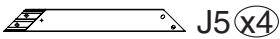
H3 (x1)



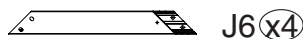
H5 (x4)



L5 (x4)



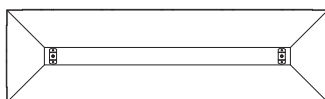
J5 (x4)



J6 (x4)



K (x1)



K1 (x1)

ITEM	DESCRIPTION	QTY
A5	Pole	4
D5	Beam	2
E5	Beam	2
D6	Beam	2
E6	Beam	2
F5	Union Bar	4
G5	Corner Cover	4
H1	Joint Cover	4
H3	Double-sided adhesive tape	1
H5	Joint Cover	4
L5	Plate	4
J5	Corner Solidifying Bar	4
J6	Corner Solidifying Bar	4
K	Inside Roof Connector	1
K1	Outside Roof Connector	1
M5	Corner Roof Bar	4
N5	Roof Bar	4
P	Finishing Bar	2
P1	Net Frame	2
Q	Finishing Bar	2
Q1	Net Frame	2
Q2	Net Frame	2
R	Finishing End	12
R1	Finishing End	4



R5 (x4)



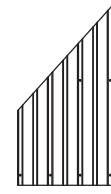
S (x104+3)



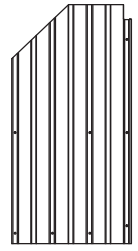
R9 (x2)



B11 (x2)



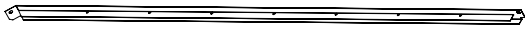
B12 (x2)



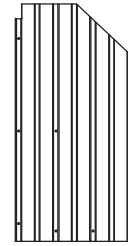
B13 (x2)



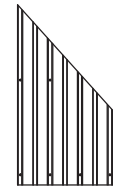
R10 (x2)



R11 (x2)



B14 (x2)



B15 (x2)



B16 (x2)



R12 (x2)



T (x2)



T1 (x2)



U0 (x4)



U (x4)



U3 (x4)



U4 (x4)



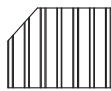
V1 (x2)



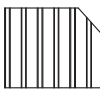
V2 (x2)



V3 (x2)



V4 (x2)

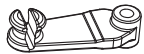
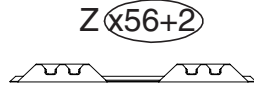
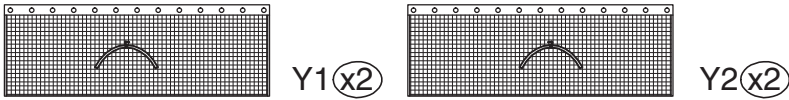
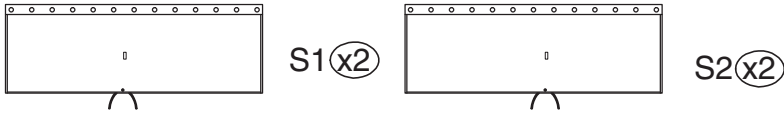
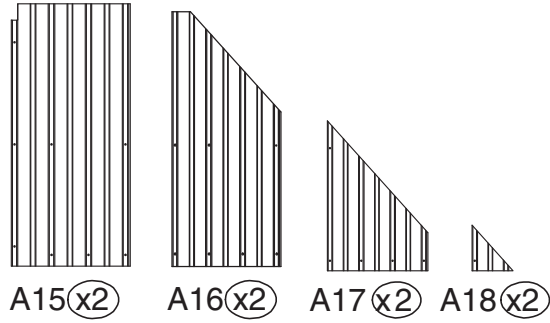
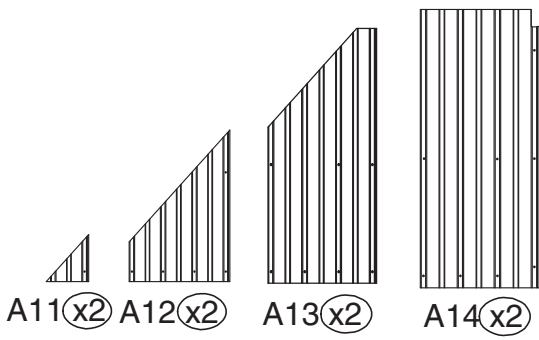


V5 (x2)



V6 (x2)

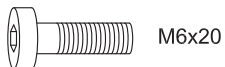
ITEM	DESCRIPTION	QTY
R5	Roof Bar Connector	4
R9	Finishing Bar	2
R10	Finishing Bar	2
R11	Finishing Bar	2
R12	Finishing Bar	2
S	Spacer	104+3
T	Finishing Bar	2
T1	Finishing Bar	2
U0	Solidifying Bar	4
U	Solidifying Bar	4
U3	Iron Angle	4
U4	Iron Angle	4
V1	Roof Panel	2
V2	Roof Panel	2
V3	Roof Panel	2
V4	Roof Panel	2
V5	Roof Panel	2
V6	Roof Panel	2
B11	Roof Panel	2
B12	Roof Panel	2
B13	Roof Panel	2
B14	Roof Panel	2
B15	Roof Panel	2
B16	Roof Panel	2



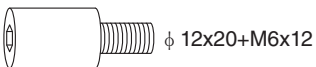
4# (x104+3)



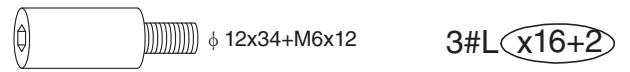
1# (x174+4)



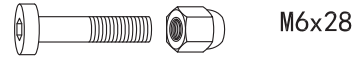
2# (x16+2)



3# (x8+1)



3#L (x16+2)



5# (x64+3)



6# (x8+1)



7# (x28+2)



9# (x24+2)



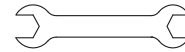
10# (x4+1)



11# (x8+1)



Allen key



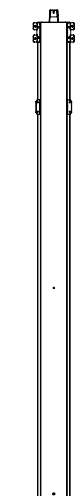
Wrench

ITEM	DESCRIPTION	QTY
A11	Roof Panel	2
A12	Roof Panel	2
A13	Roof Panel	2
A14	Roof Panel	2
A15	Roof Panel	2
A16	Roof Panel	2
A17	Roof Panel	2
A18	Roof Panel	2
S1 & S2	Solid Sidewall	4
Y1 & Y2	Mosquito Net	4
SY	Strap	4
Z	Bracket	56+2
Z1	Bracket	4
Z2	Bracket	4
Z3	Bracket	4
Z4	Bracket	4
1#	Screws	174+4
2#	Screws	16+2
3#	Screws	8+1
3#L	Screws	16+2
4#	Hook	104+3
5#	Screws	64+3
6#	Screws	8+1
7#	Screws	28+2
9#	Screws	24+2
10#	Screws	4+1
11#	Screws	8+1

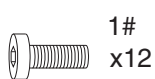
## Parts Required:

### Step 1: Set up Poles

1. Set up Poles (Part A5) with Stand Plates (Part L5) using #1 as shown in the diagram.



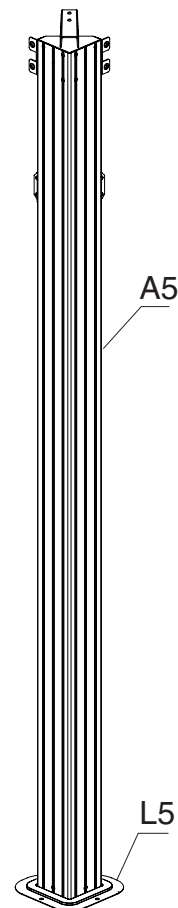
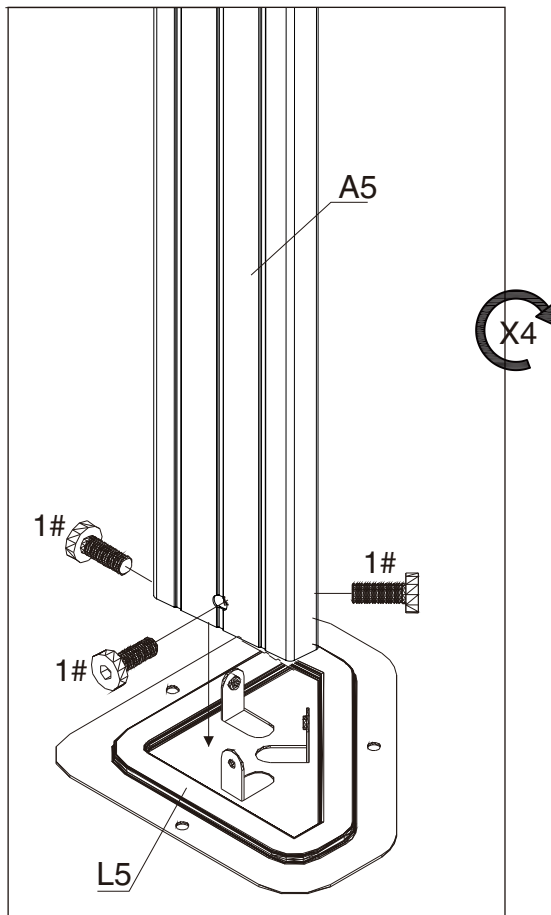
A5 x4



#1  
x12

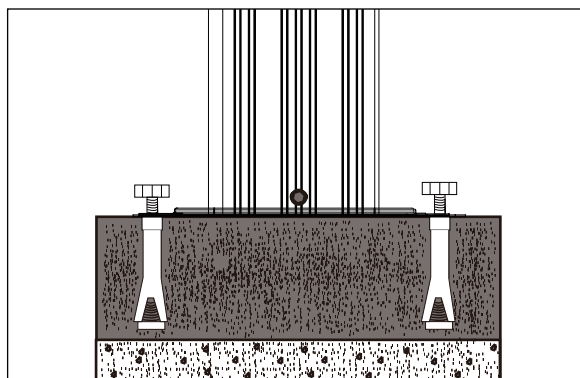
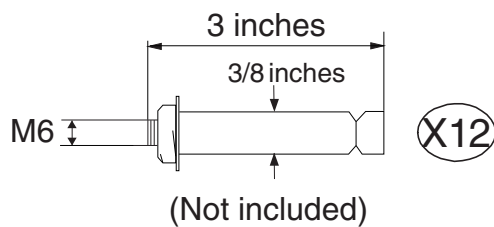


L5 x4



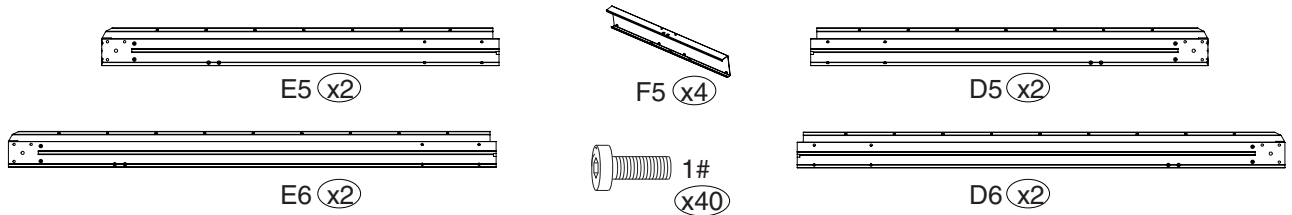
### Reference for anchoring gazebo:

- If the ground is concrete and its depth is over 3 inches, you can purchase 3/8" diameter x 3" length sleeve anchors.
- Only anchor after finishing all the assembly.



After assembly, we strongly recommend anchoring the gazebo to your deck or concrete as shown above. Damage resulting from wind or improper anchoring is not covered under warranty.

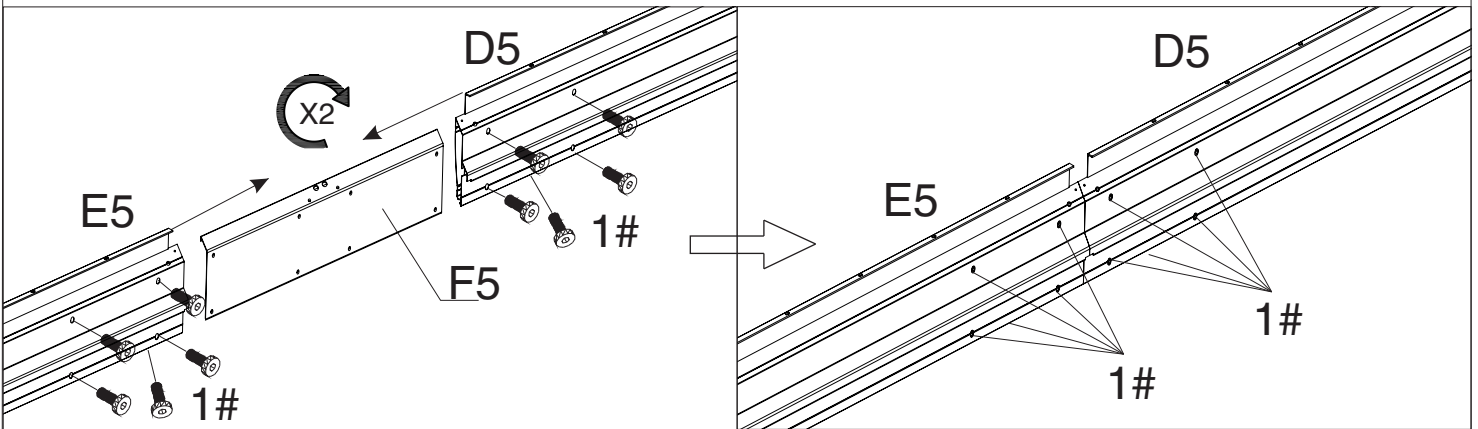
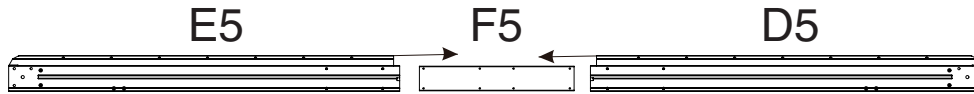
## Parts Required:



## Step 2: Connect the Beams

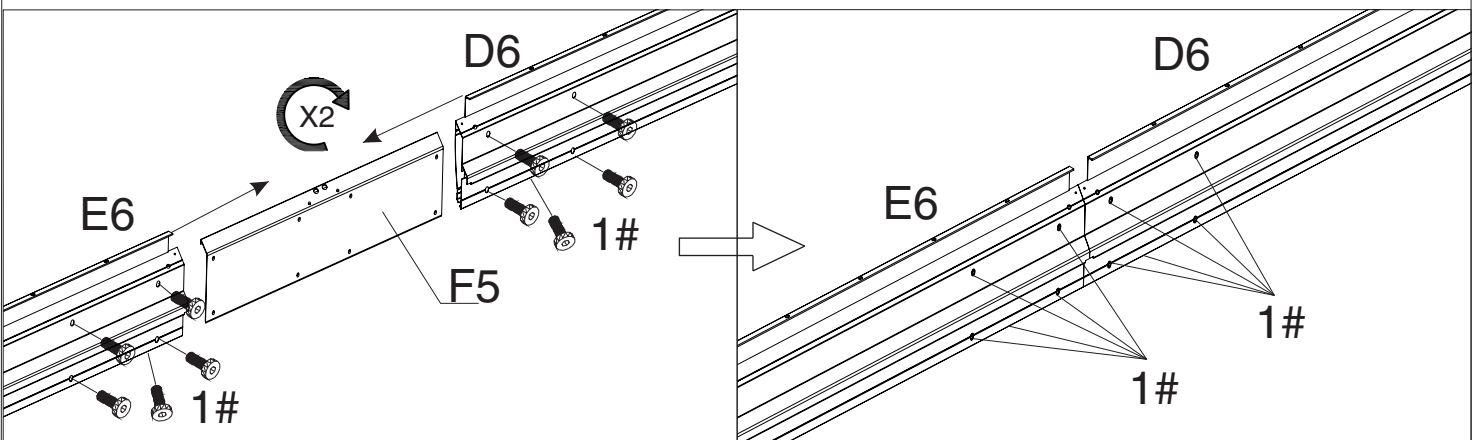
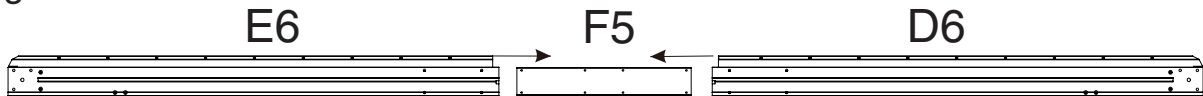
1. Connect Beams (Part E5, D5) into one beam using Union Bar (Part F5) with screws 1# as shown in the diagram.

Short Beam Overall:

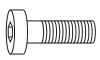


2. Connect Beams (Part E6, D6) into one beam using Union Bar (Part F5) with screws 1# as shown in the diagram.

Long Beam Overall:



## Parts Required:



2#  
x16



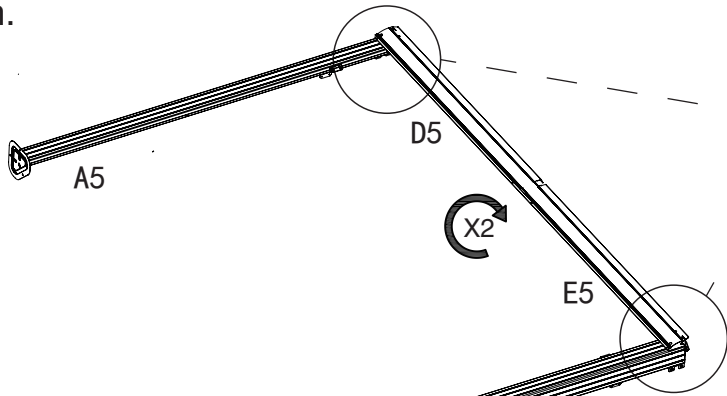
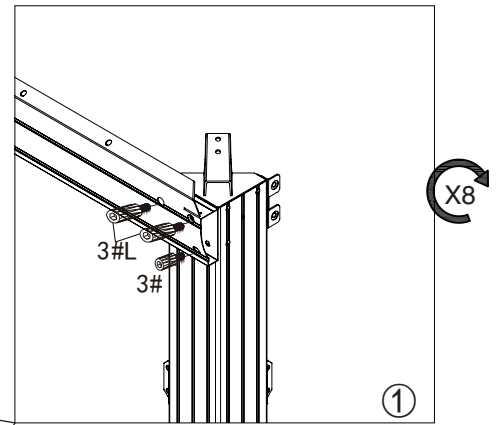
3#  
x8



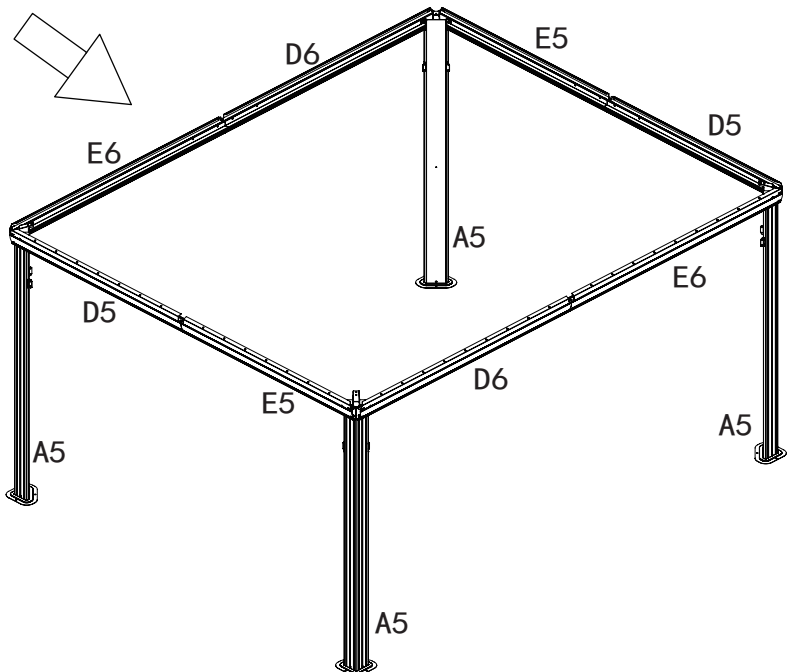
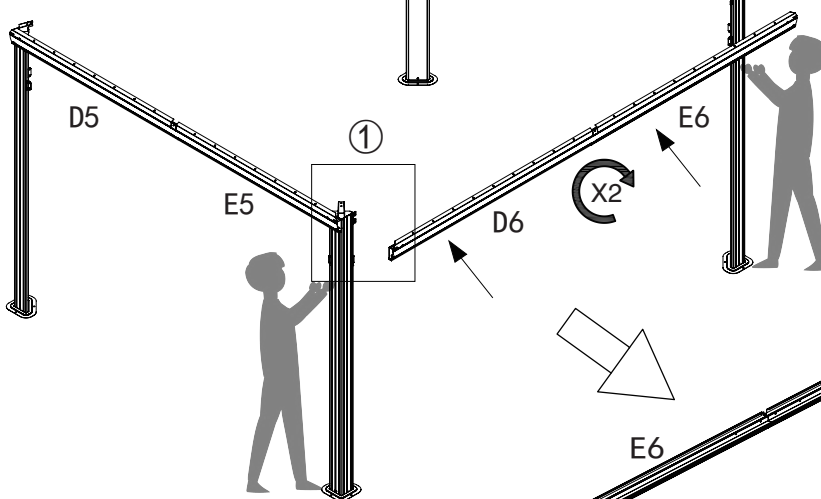
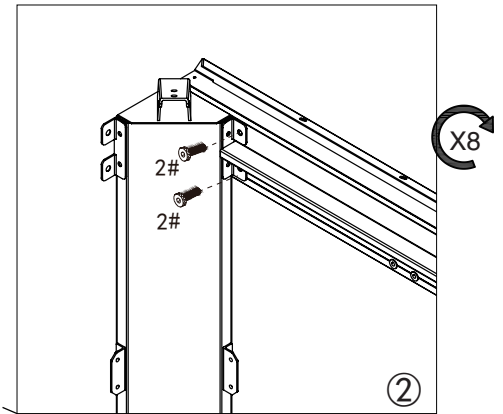
3#L  
x16

## Step 3: Set up Poles and Beams

Use screws 3#L and 3# first, then use screw 2# to connect Poles and Beams together as shown in diagram.



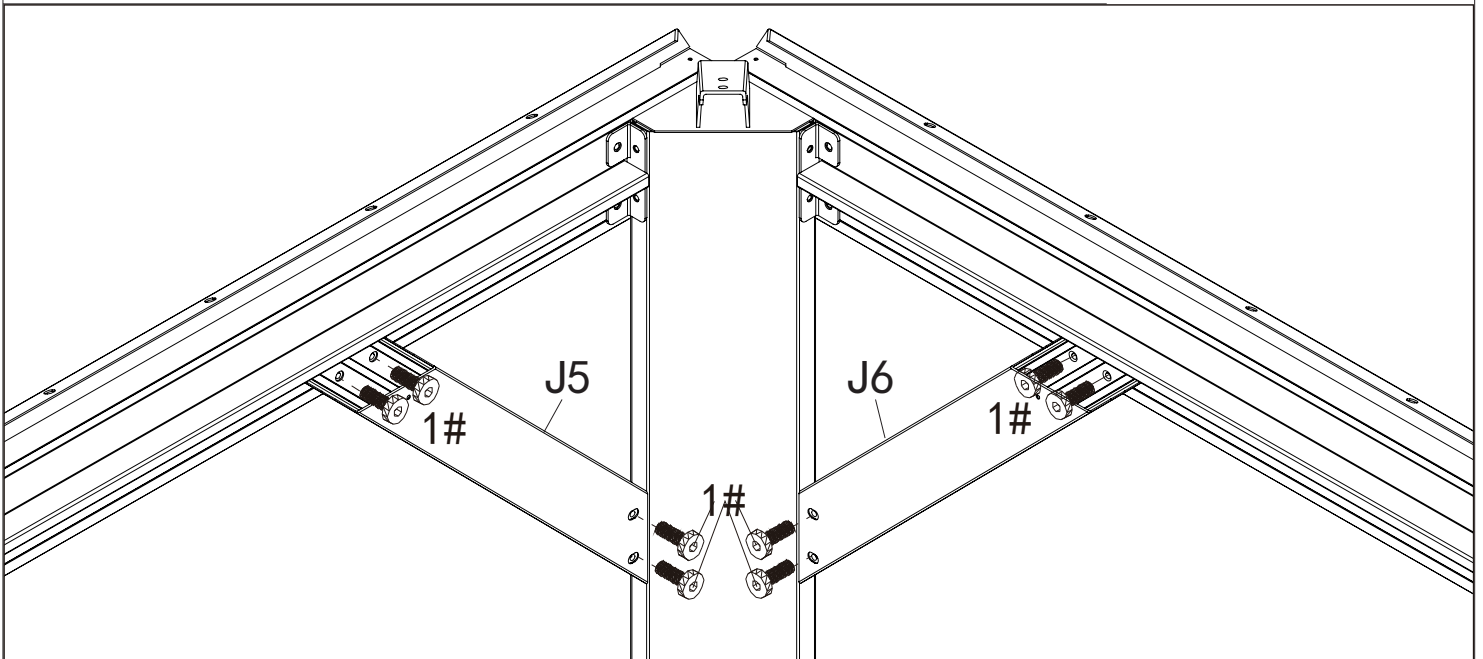
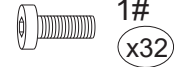
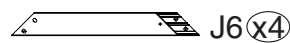
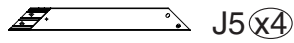
Tip:  
Place parts on carpet or rug  
to avoid scratches during  
assembly.



Tip:  
At least three people  
for this step.

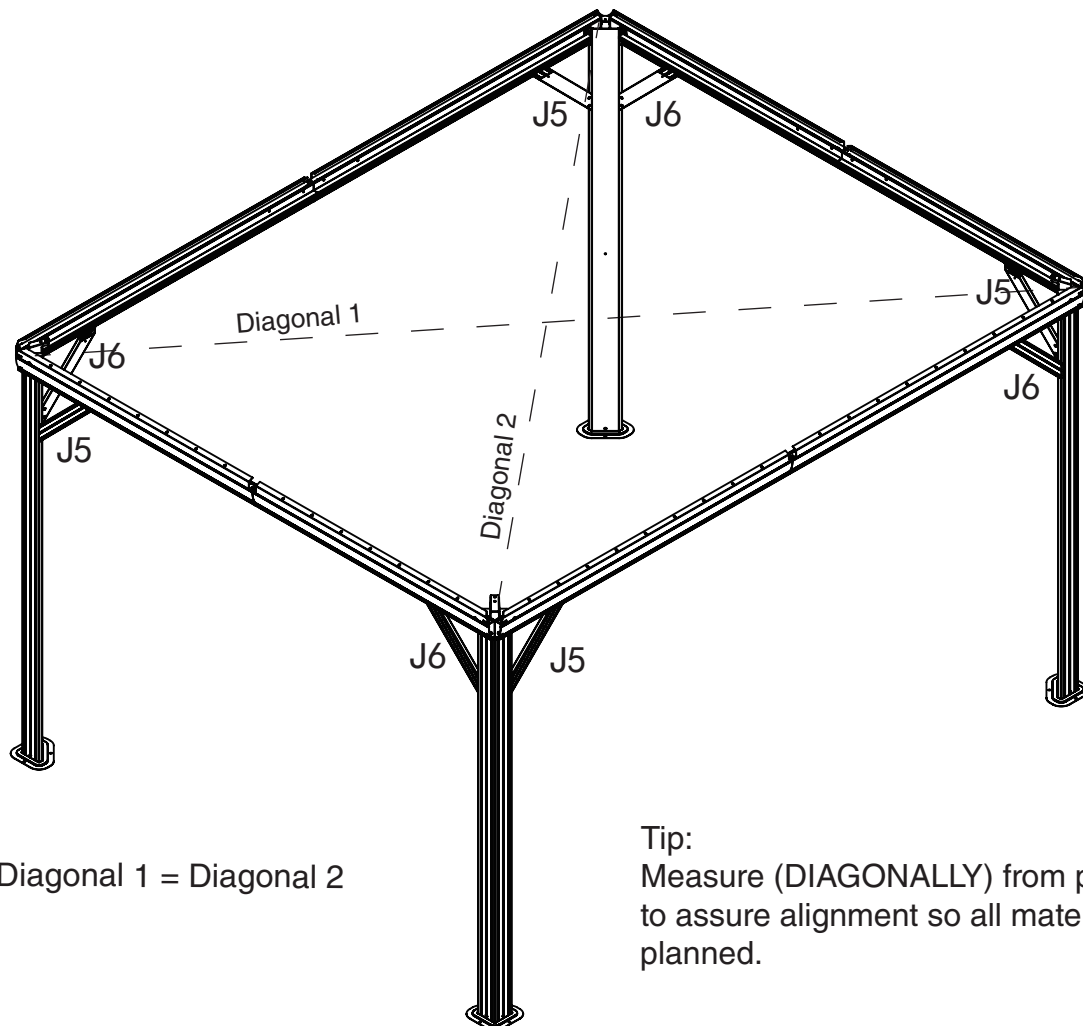


Parts Required:



**Step 4: Connect Solidifying Bars with Beams and Poles**

Affix the frame with Corner Solidifying Bars (Parts J5, J6) using screws 1# as shown in diagram.



Diagonal 1 = Diagonal 2

Tip:  
Measure (DIAGONALLY) from posts to posts to assure alignment so all materials fit as planned.

# Parts Required:



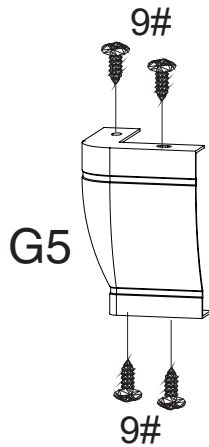
G5 (x4)



H5 (x4)

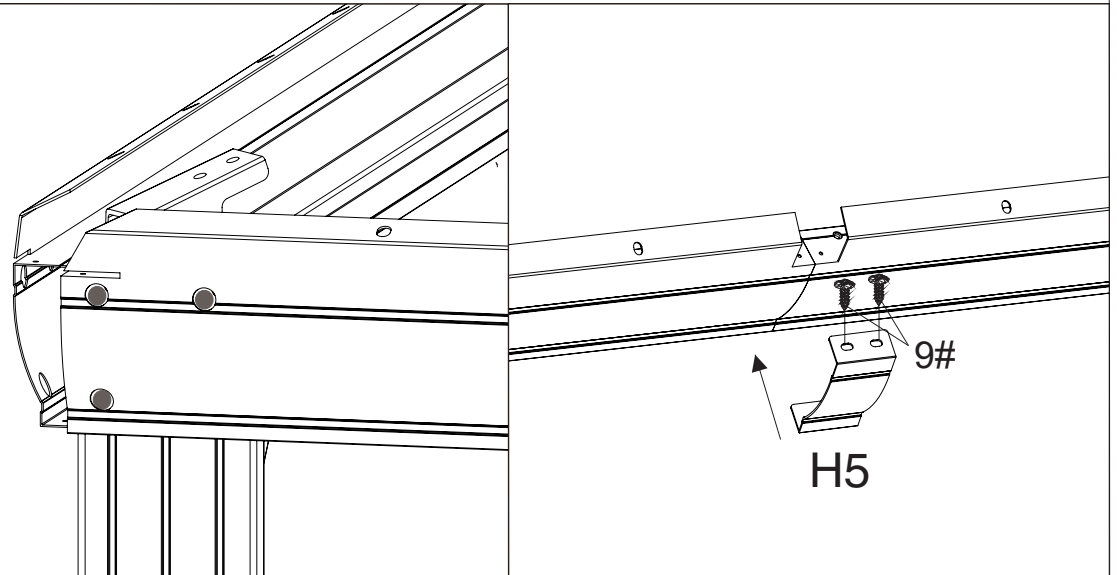


9# (x24)



①

X4



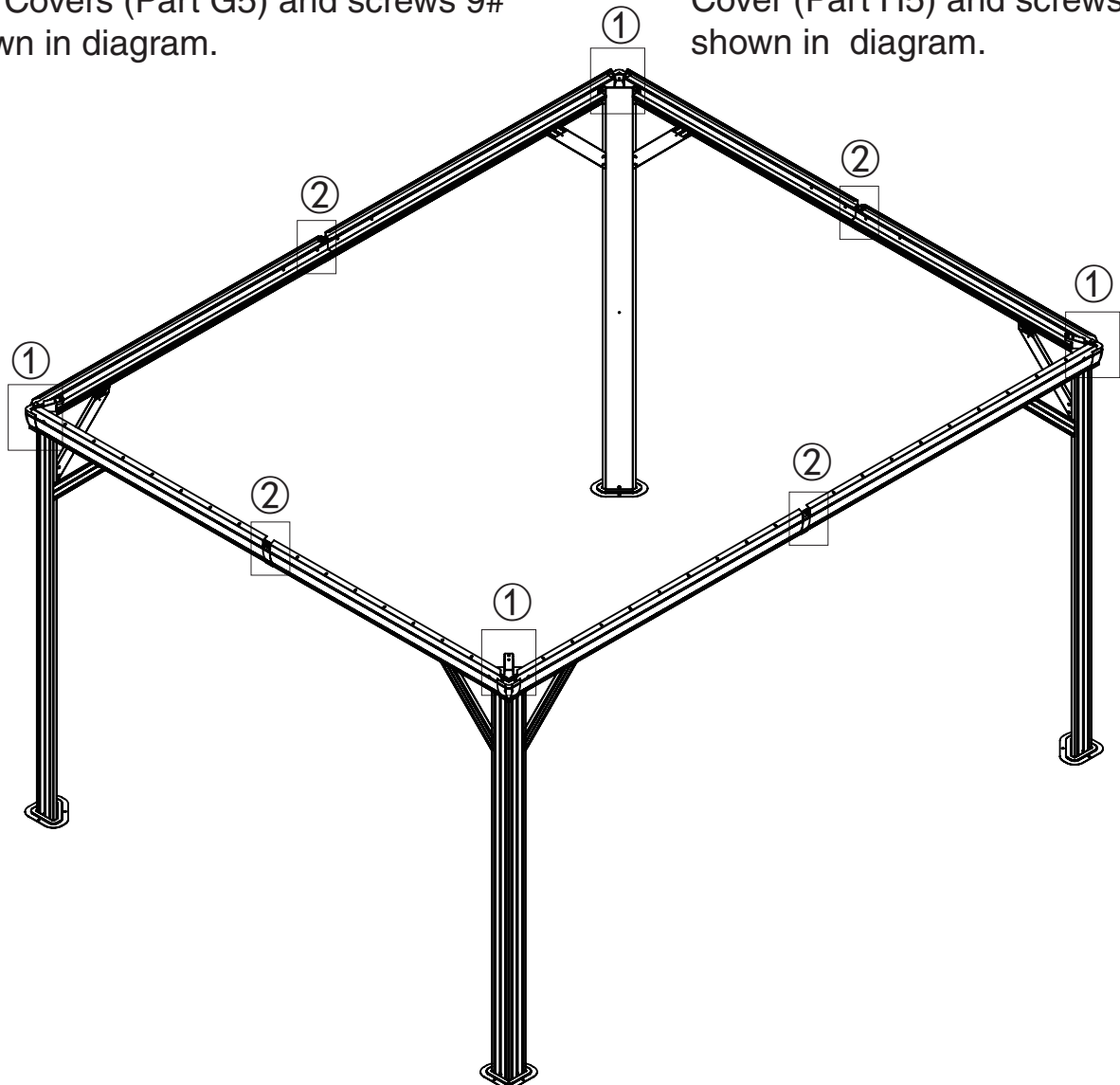
②

X4

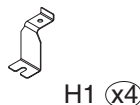
## Step 5: Cover the connections

1. Finish Connecting Beams using Corner Covers (Part G5) and screws 9# as shown in diagram.

2. Affix middle beams using Joint Cover (Part H5) and screws 9# as shown in diagram.

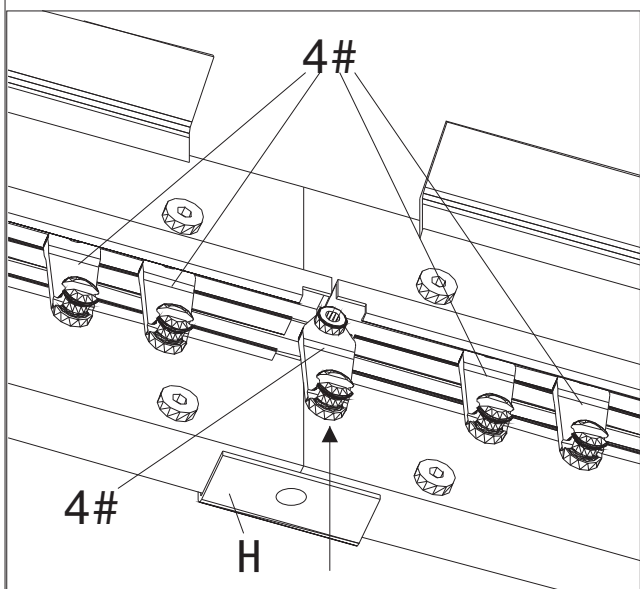
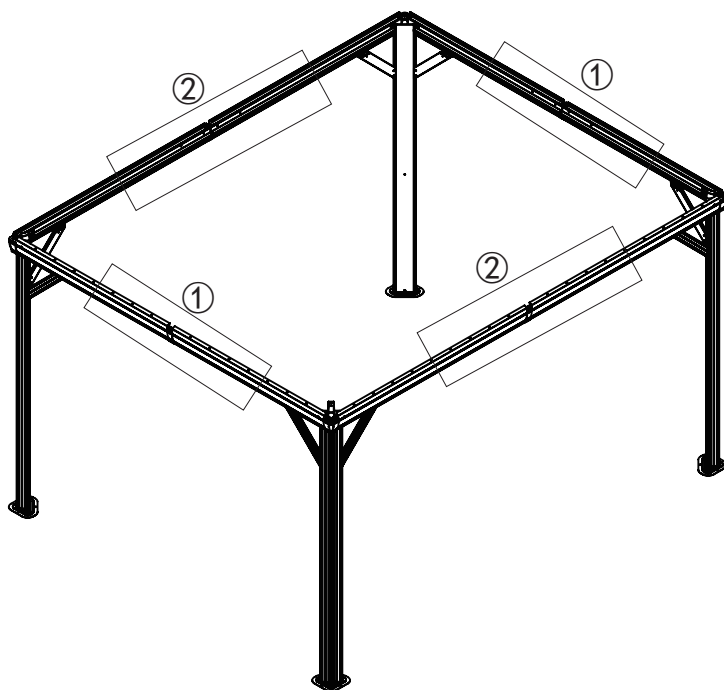
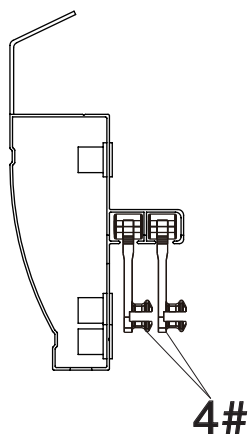


# Parts Required:

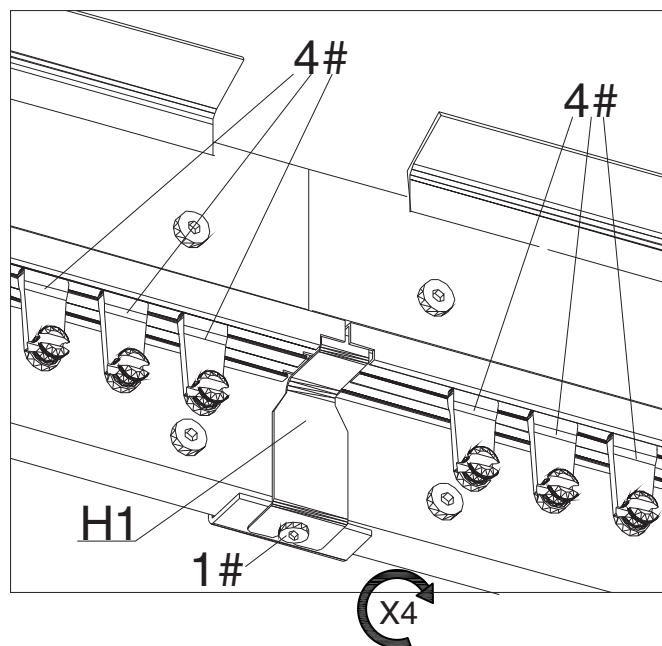


## Step 6: Install Hooks

After finishing Hooks (Part 4#) into the tracks, then put Joint Cover (Part H1) to lock them.



Note the amount of hooks for each slot as noted below:



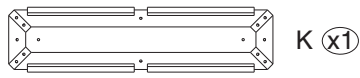
① Attach 6 Hooks in each slot of the Sidewall Track on Beams (Part E5, D5). X2

x6      E5      D5      H1      x6

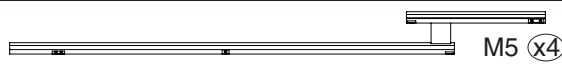
② Attach 7 Hooks in each slot of the Sidewall Track on Beams (Part E6, D6). X2

x7      E6      D6      H1      x7

# Parts Required:



K (x1)



M5 (x4)



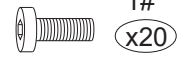
R (x4)



P (x2)



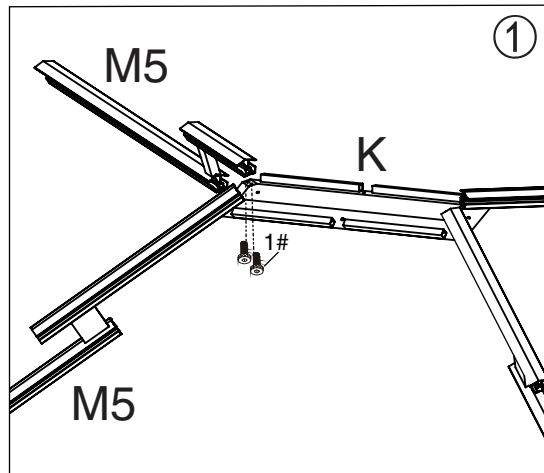
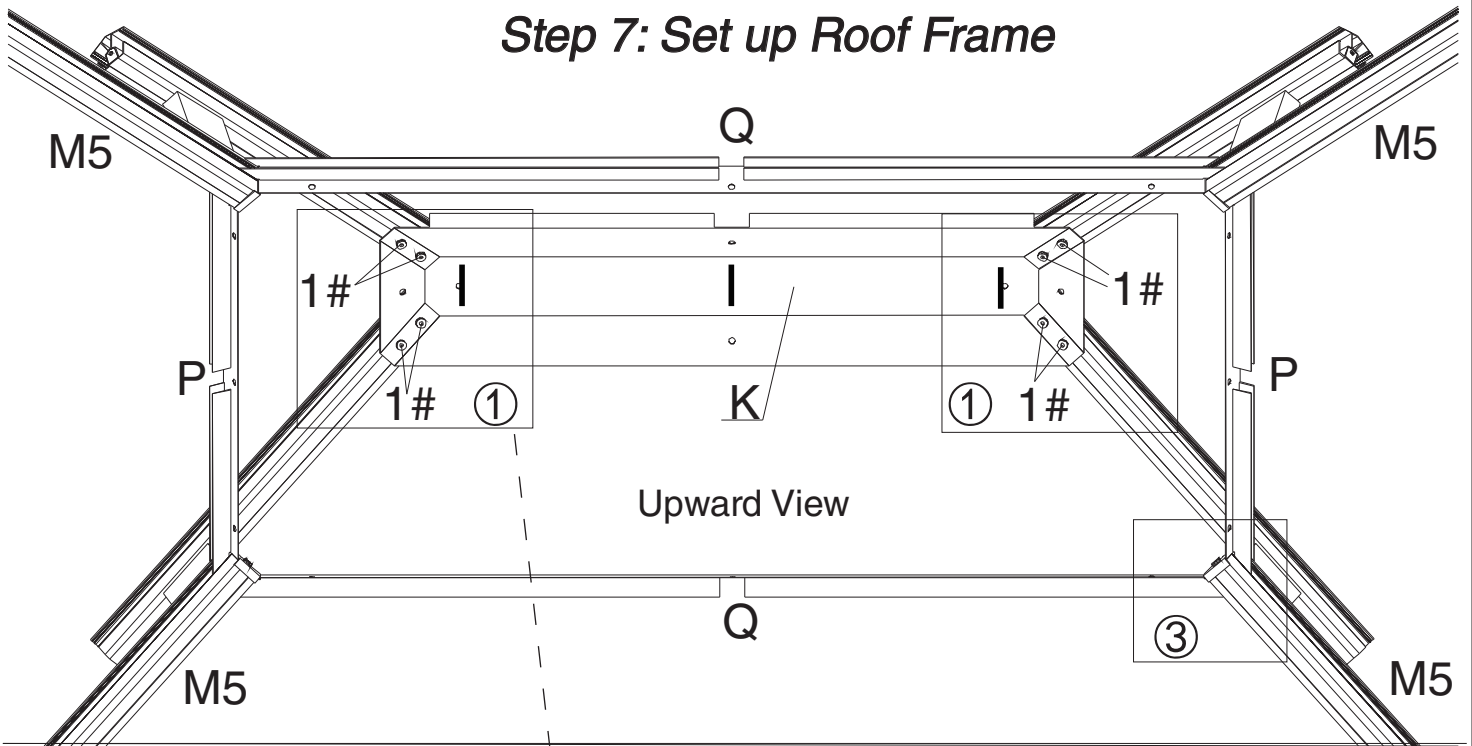
Q (x2)



1#

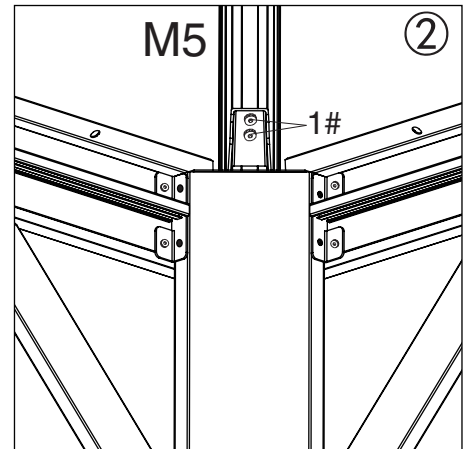
(x20)

## Step 7: Set up Roof Frame



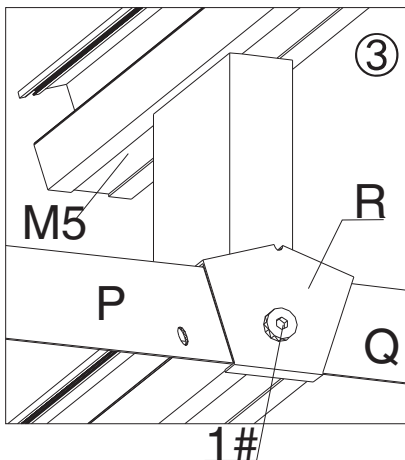
1. Connect the Inside Roof Connector (Part K) with the Corner Roof Bar (Part M5) using screws 1#.

(x4)



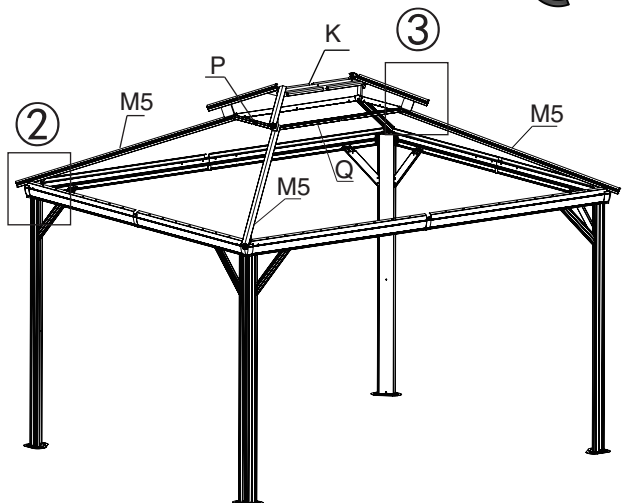
2. Attach Corner Roof Bar (Part M5) to Top of Poles using screw 1# as shown in diagram.

(x4)

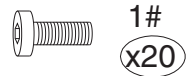
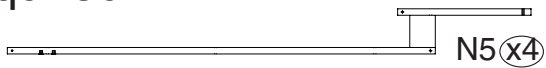


3. Attach Finishing Bar (Part P, Q) to Finishing End (Part R) using screw 1# to Corner Roof Bar (Part M5) as shown in the diagram.

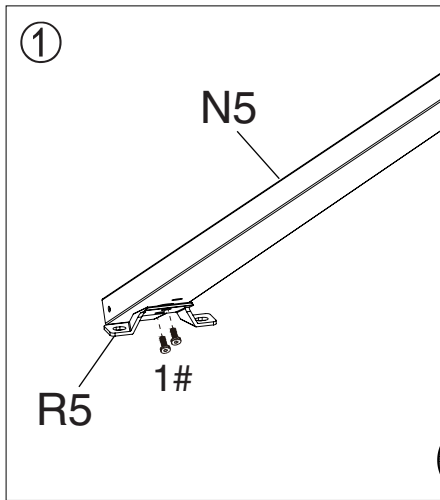
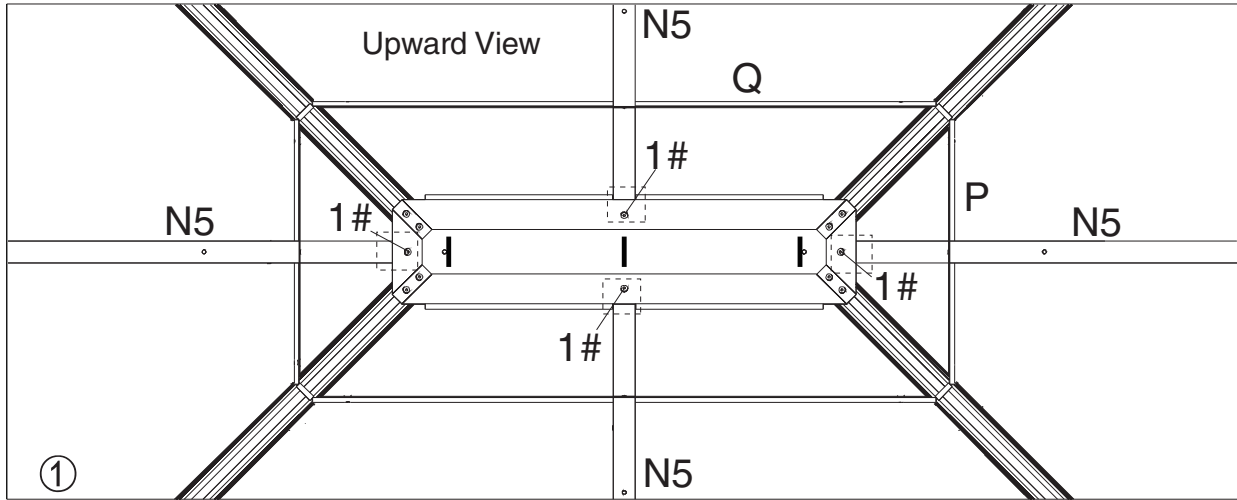
(x4)



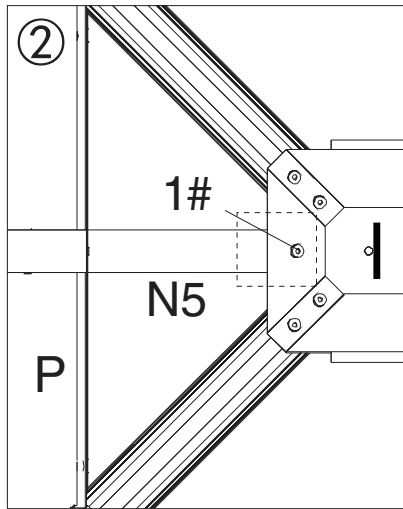
# Parts Required:



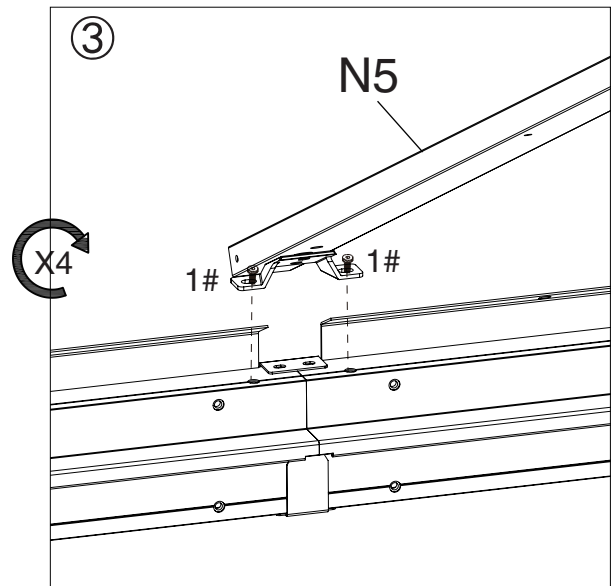
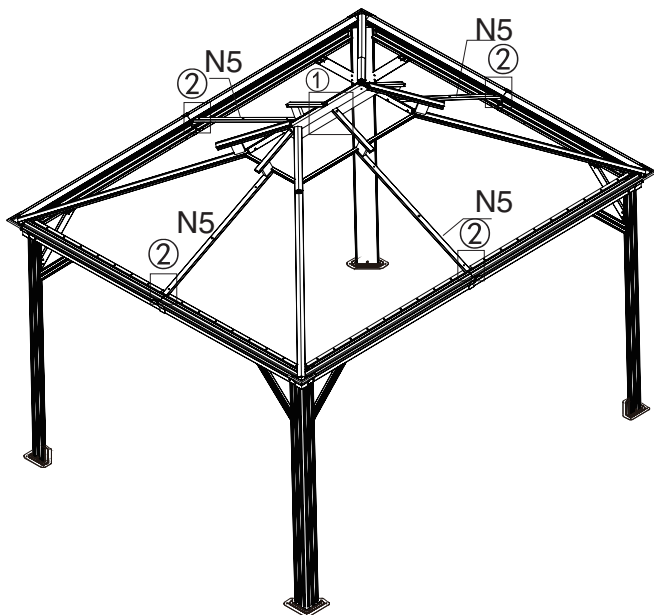
## Step 8: Set up Roof Bar



1. Connect Roof Bar Connector (Part R5) to Roof Bar (Part N5) using screw 1# as shown in the diagram.

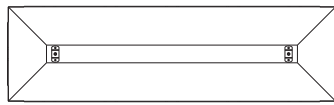


2. Attach Roof Bar (Part N5) to Roof Connector (Part K) using screw 1# as shown in diagram.



3. Attach Roof Bar (Part N5) to Beams using screw 1# as shown in diagram.

Parts Required:



K1 x1



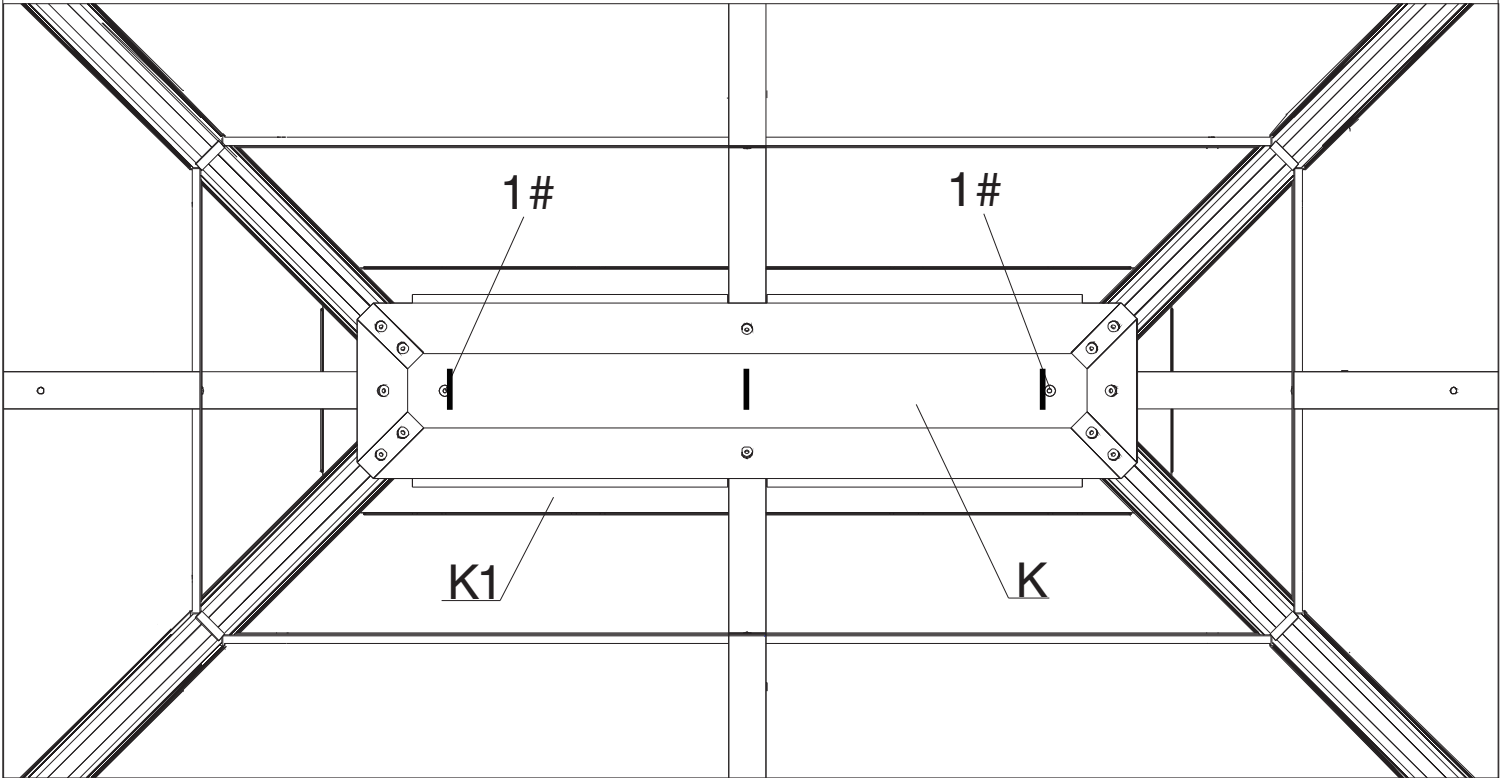
1#

x2

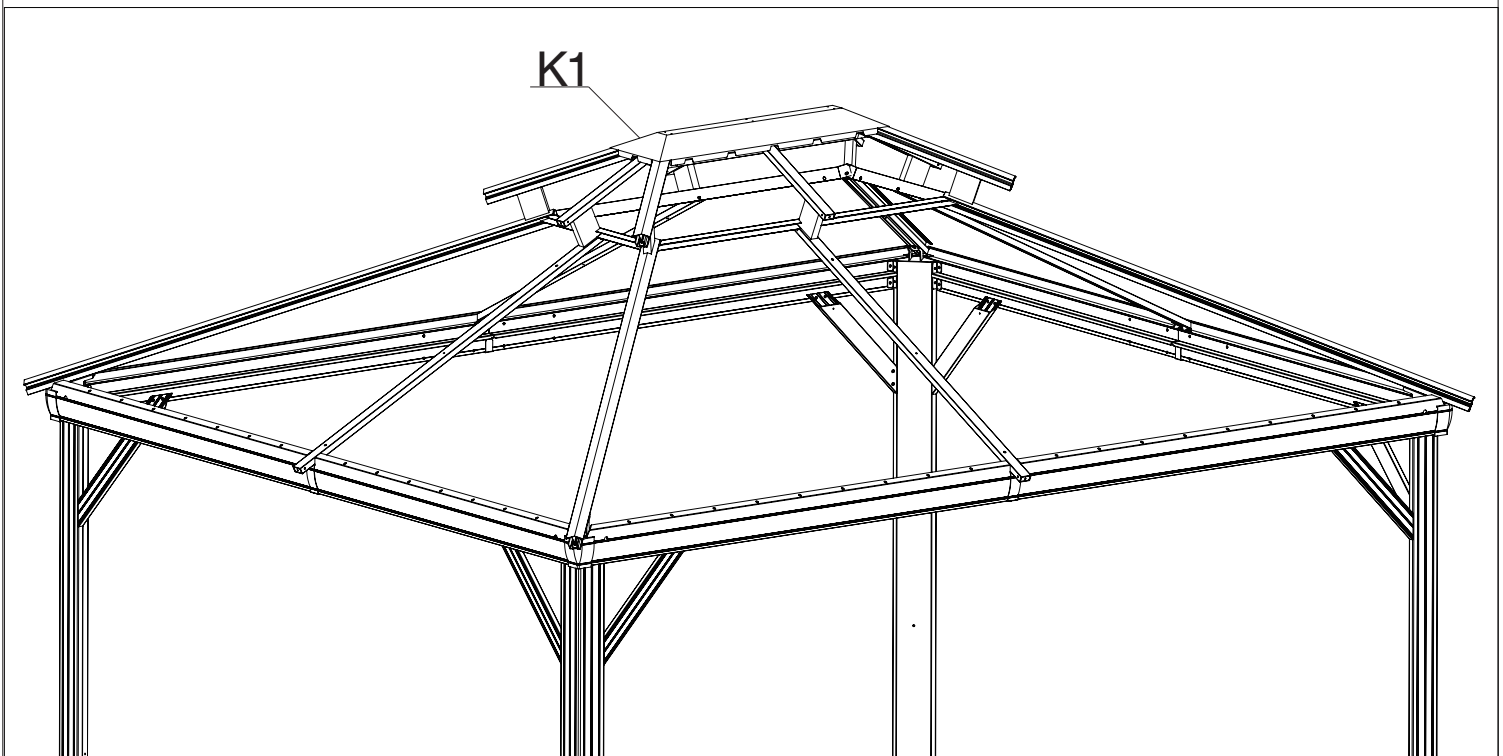
**Step 9: Connect Outside Roof Connector**

Connect Outside Roof Connector (Part K1) to Inside Roof (Part K) using screw 1# as shown in the diagram.

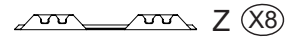
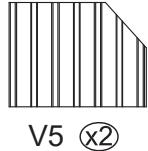
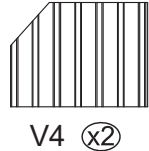
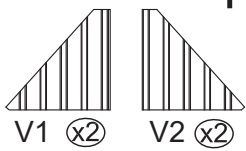
Upward View



Tips: Do not tighten these two screws completely before step 12, only after putting all upper panels in place, then tighten them thoroughly.

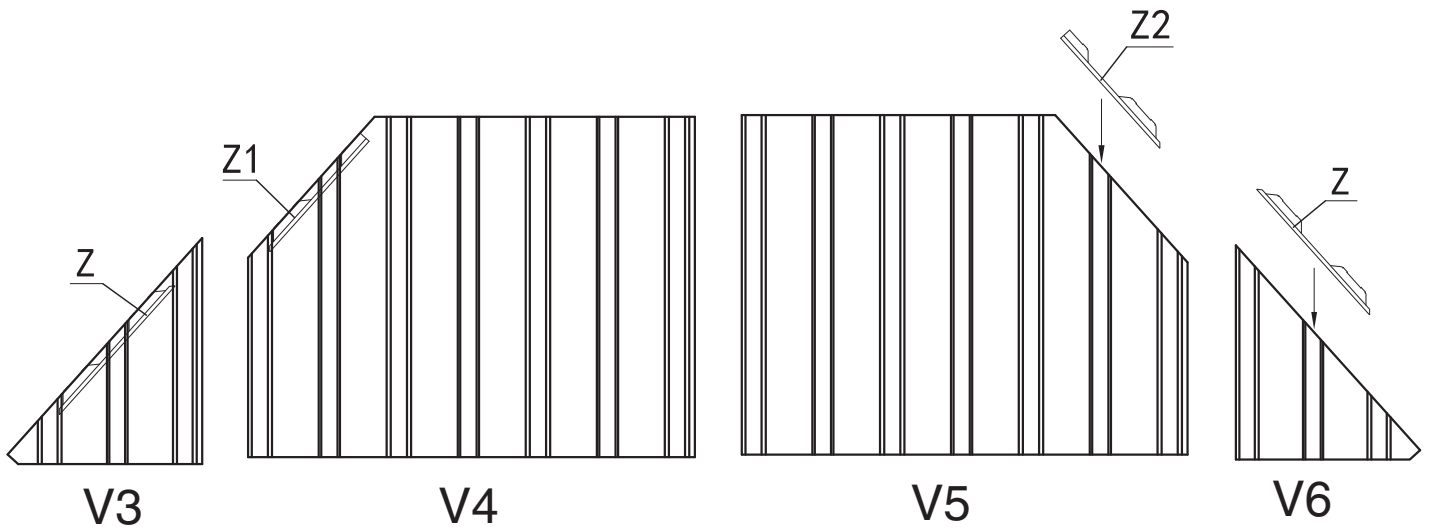
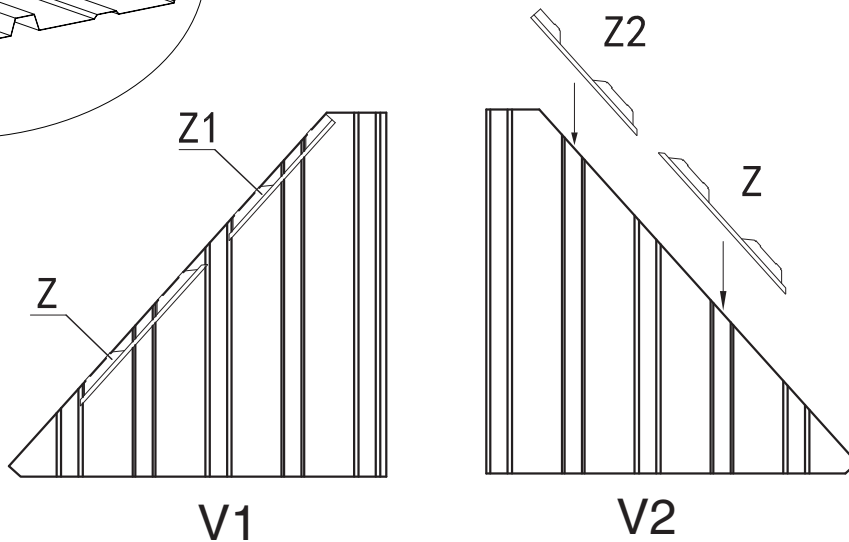
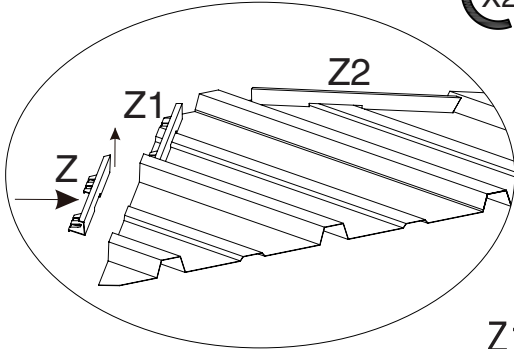


# Parts Required:



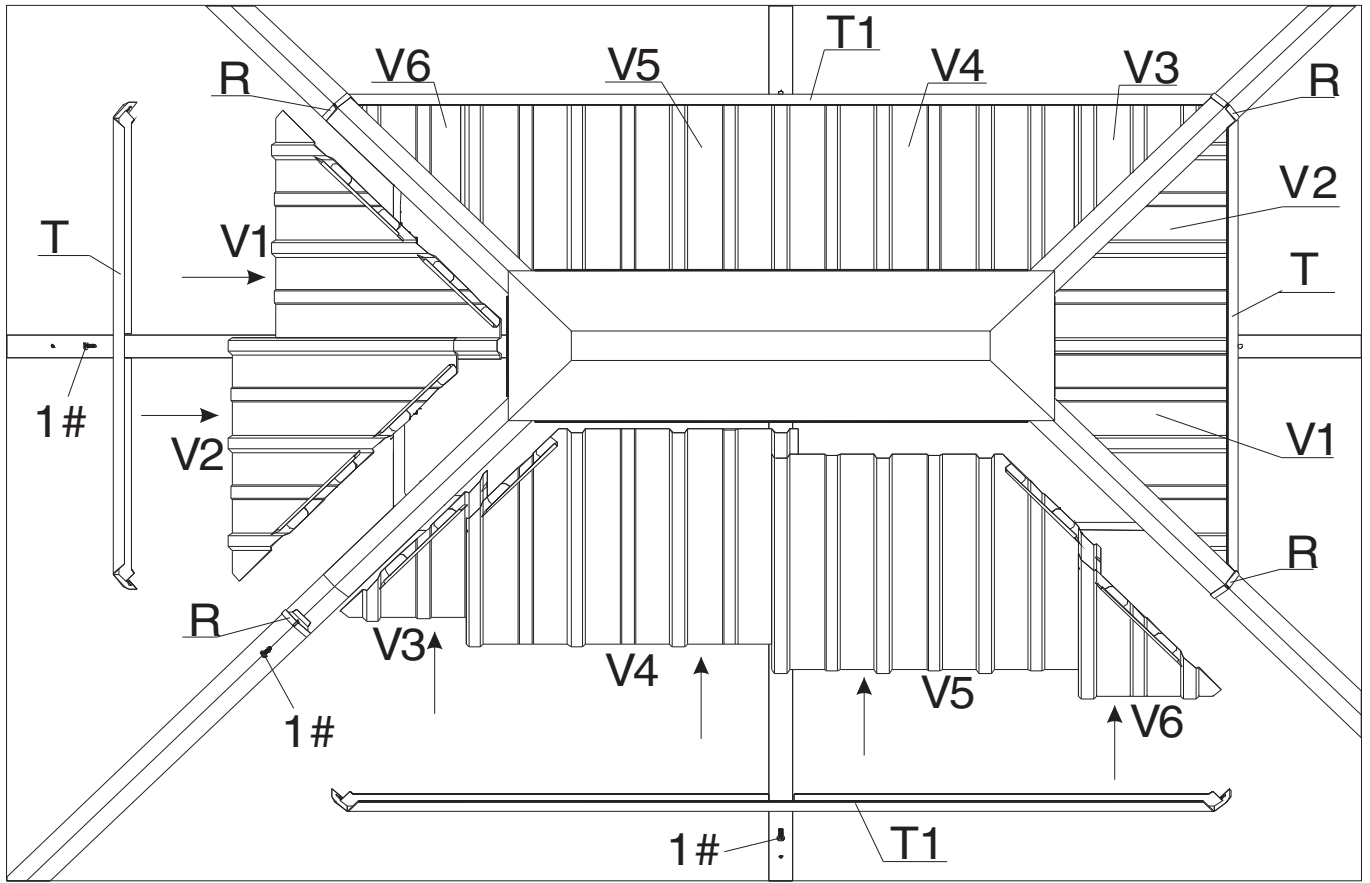
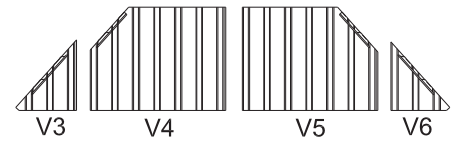
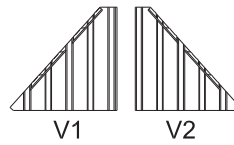
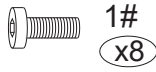
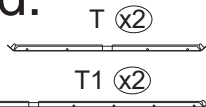
## Step 10: Snap Brackets

Snap Bracket (Part Z, Z1, Z2) to the roof panel edges as shown in the diagram.  
(with snaps facing upwards)



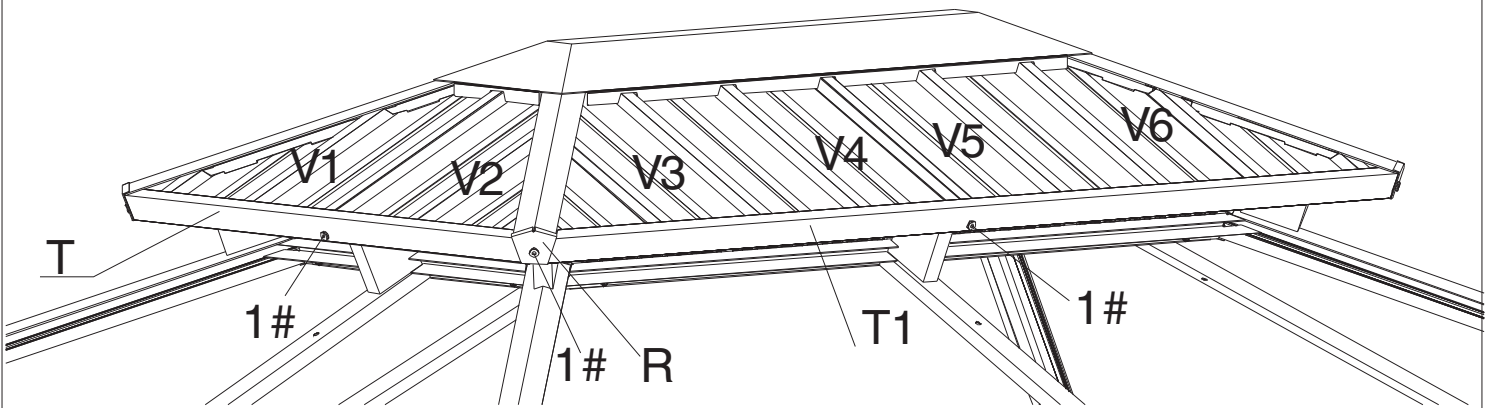
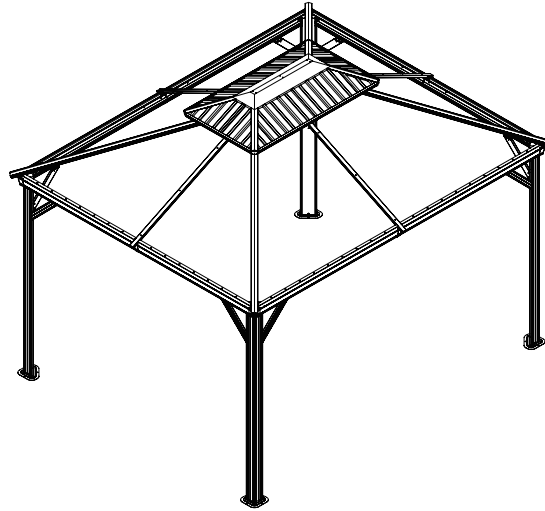
- Tips:
1. Wearing protective gloves is recommended.
  2. To prevent Z-Clips (plastic brackets) from sliding off prior to assembly, apply double-sided adhesive tape (Part H3) to the underside (bottom) edge of the roof panels where the brackets (Part Z, Z1, Z2) are supposed to attach.
  3. You can use super glue (not included) to attach the brackets to the roof panel if the double-sided tape doesn't work for you.

# Parts Required:



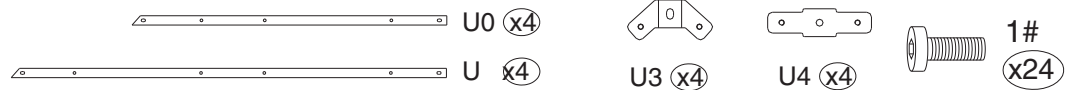
## Step 11: Assemble Roof Panels

1. Push the Roof Panels (Part V1,V2,V3,V4,V5,V6) to upper roof as shown in the diagram.
2. Attach Finishing Bars (Part T, T1) to upper roof with Finish End (Part R) using screws 1# as shown in the diagram.



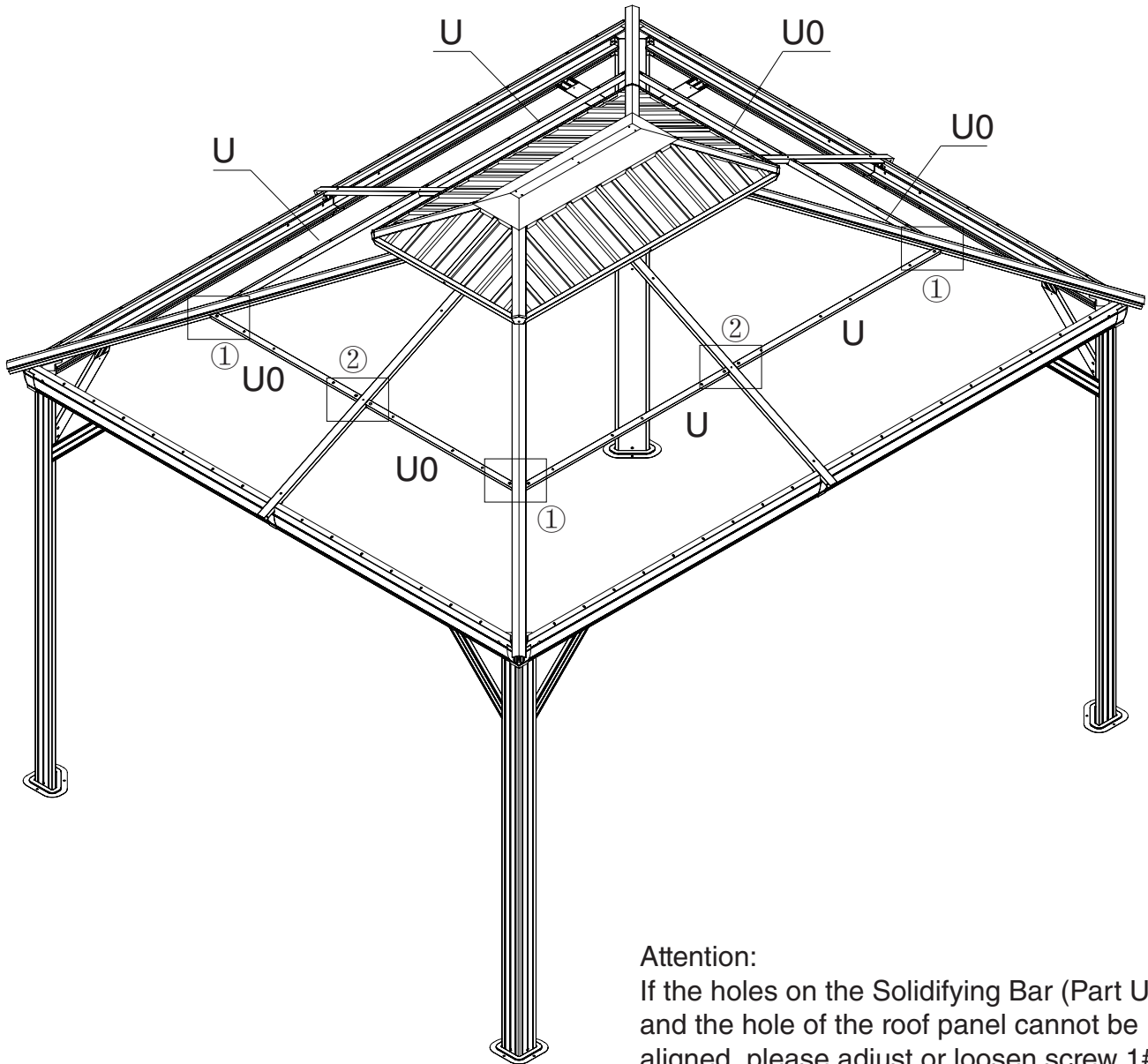


# Parts Required:

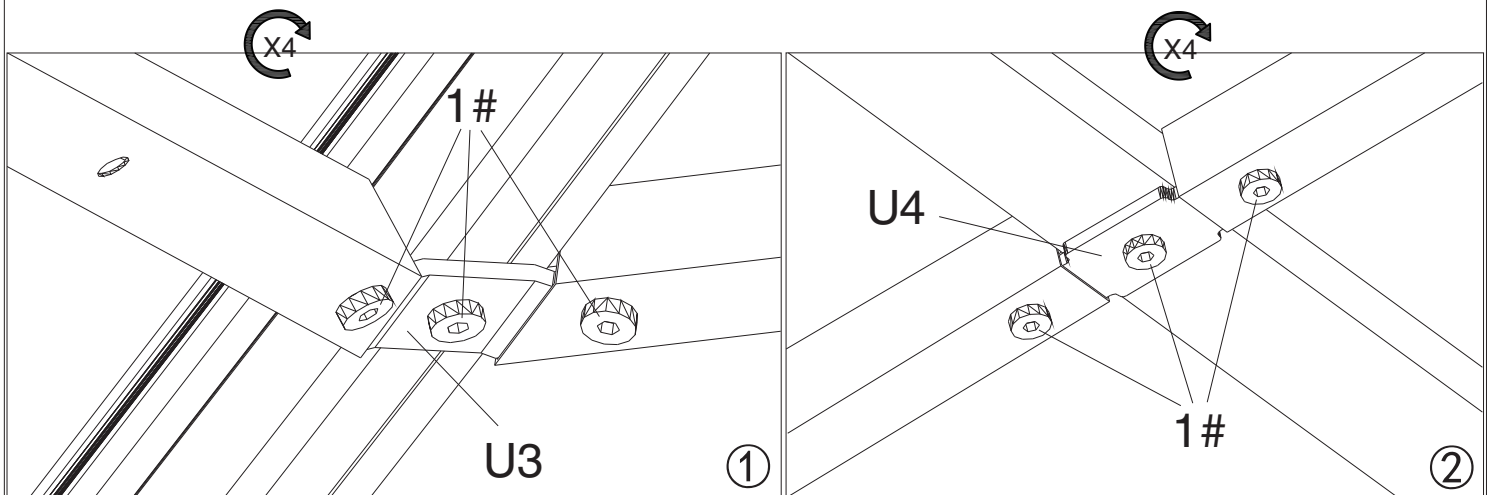


## Step 12: Connect Solidifying Bars

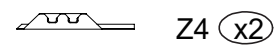
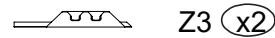
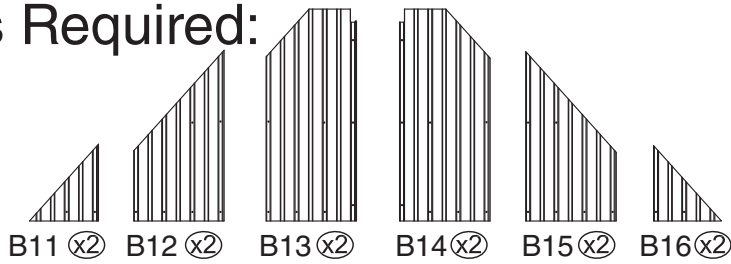
Attach Solidifying Bars ( Part U0, U) to roof bar or corner roof bar using Iron Angle (Part U3, U4) and screws 1# as shown in the diagram.



**Attention:**  
If the holes on the Solidifying Bar (Part U0,U) and the hole of the roof panel cannot be aligned, please adjust or loosen screw 1# until the screws of the roof panel are in place.




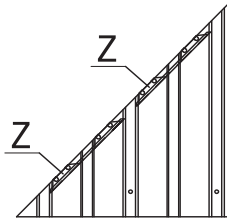
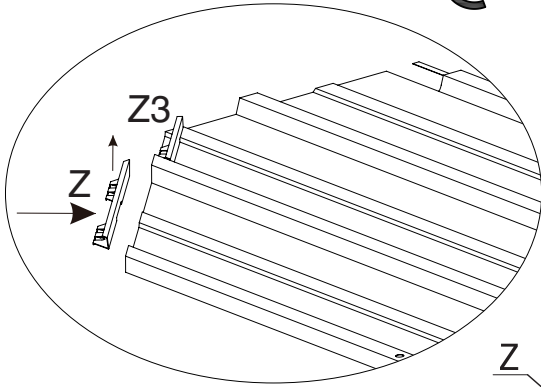
## Parts Required:



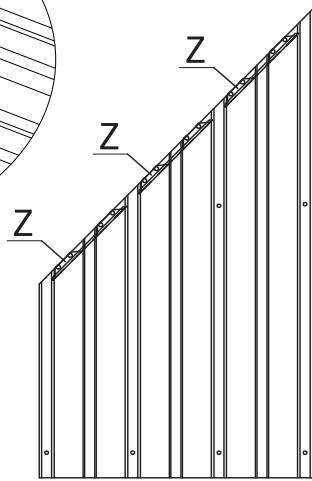
### Step 13: Snap Brackets

Snap Bracket (Part Z, Z3, Z4) to the roof panel edges as shown in the diagram.

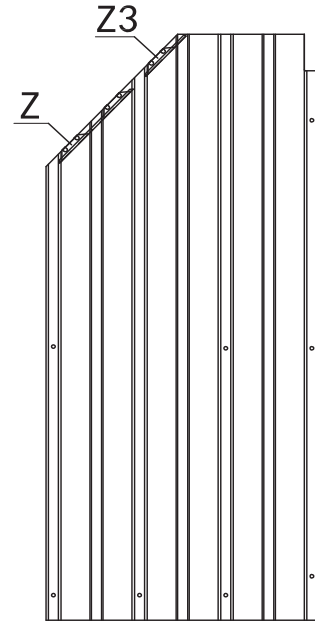
(with snaps facing upwards) 



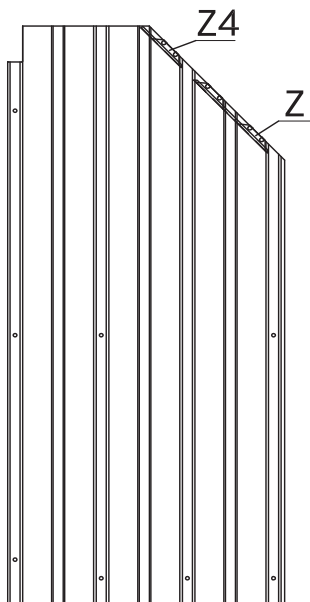
B11



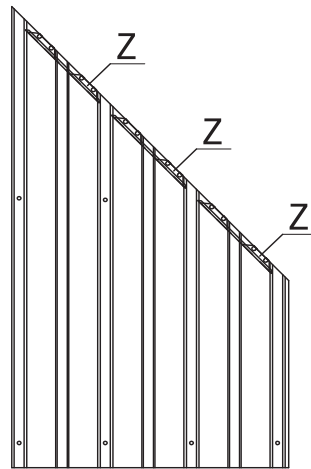
B12



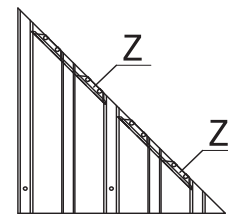
B13



B14



B15



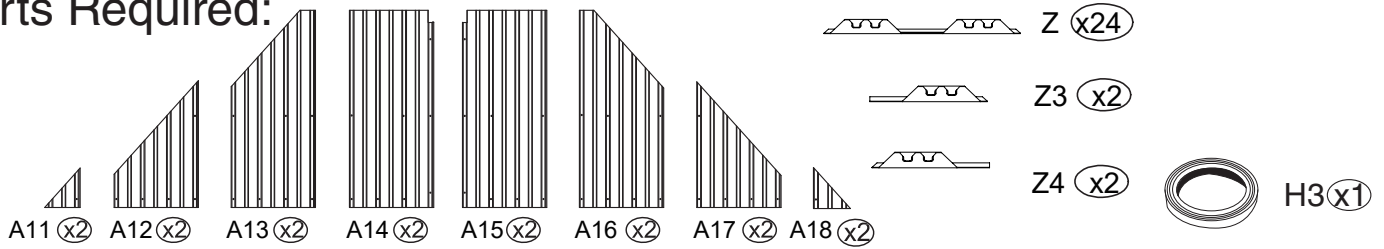
B16



#### Tips:

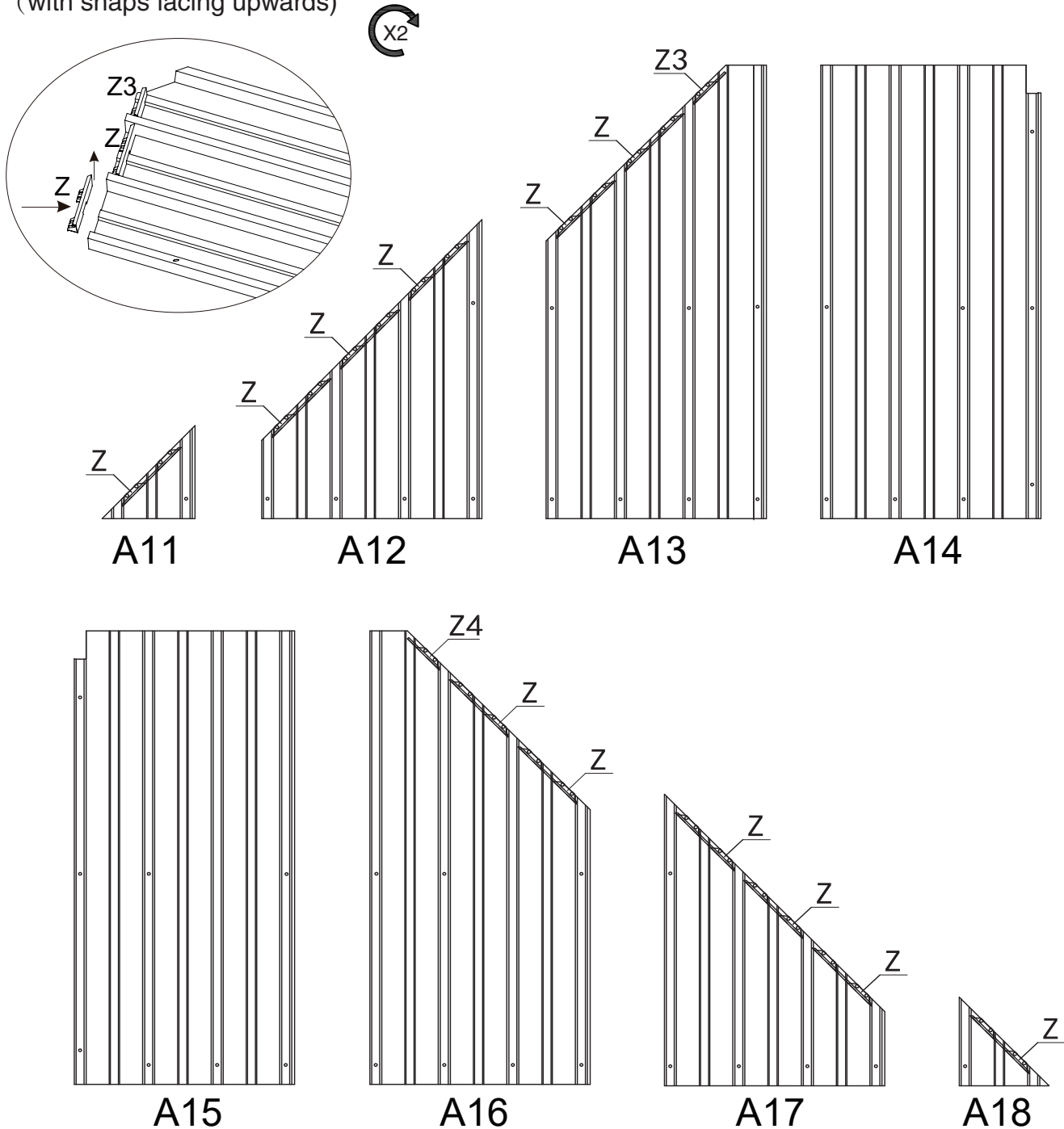
1. Wearing protective gloves is recommended.
2. To prevent Z-Clips (plastic brackets) from sliding off prior to assembly, apply double-sided adhesive tape (Part H3) to the underside (bottom) edge of the roof panels where the brackets (Part Z, Z3, Z4) are supposed to attach.
3. You can use super glue (not included) to attach the brackets to the roof panel if the double-sided tape doesn't work for you.

## Parts Required:



## Step 14: Snap Brackets

Snap Bracket (Part Z, Z3, Z4) to the roof panel edges as shown in the diagram.  
(with snaps facing upwards)

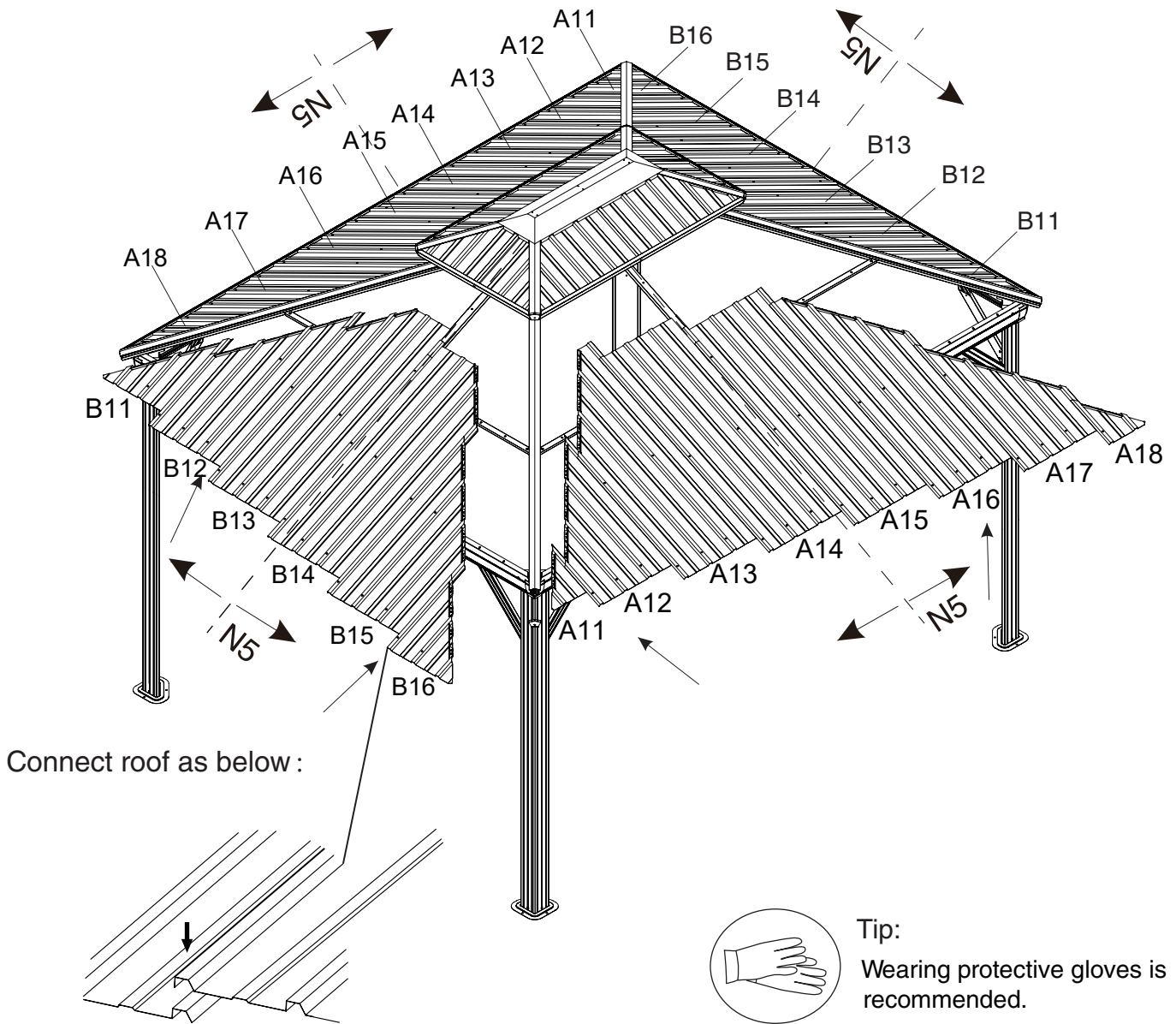


### Tips:

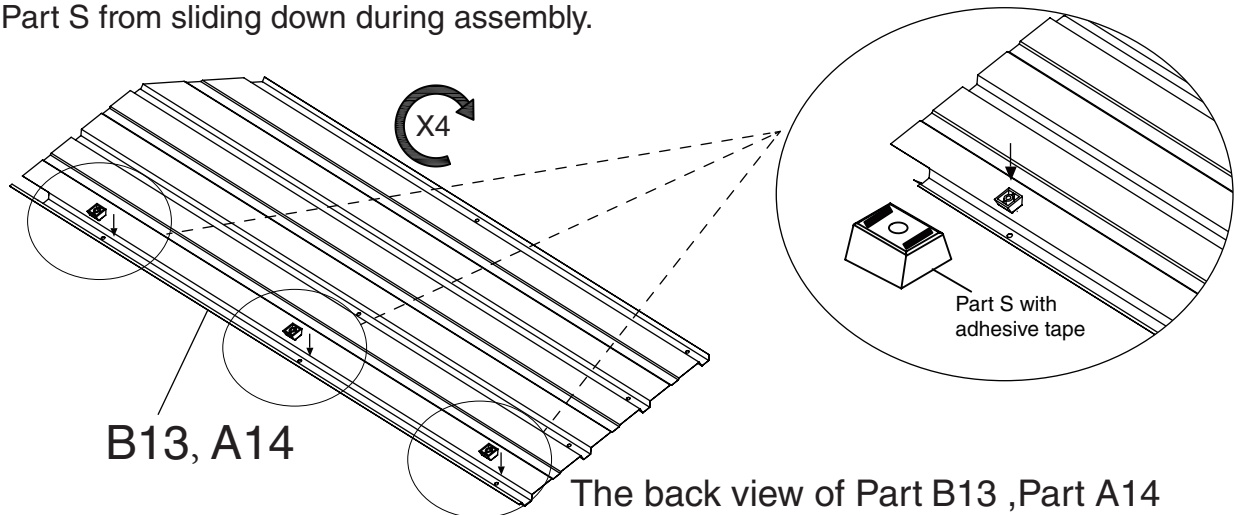
1. Wearing protective gloves is recommended.
2. To prevent Z-Clips (plastic brackets) from sliding off prior to assembly, apply double-sided adhesive tape (Part H3) to the underside (bottom) edge of the roof panels where the brackets (Part Z, Z3, Z4) are supposed to attach.
3. You can use super glue (not included) to attach the brackets to the roof panel if the double-sided tape doesn't work for you.

## Overall roof assembly:

Please place the panels on the frame and assemble them from the centerline (Part N5) to the left and right.

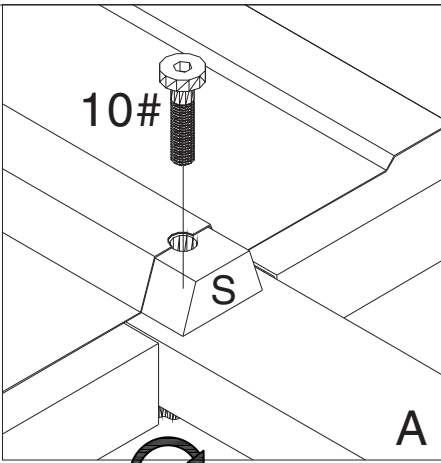


**Tips:** To facilitate the easy fastening of roof panels (Part B13, Part A14), please use double-sided adhesive tape (Part H3) to affix Part S onto Panel (Part B13, Part A14) in advance. This will prevent Part S from sliding down during assembly.



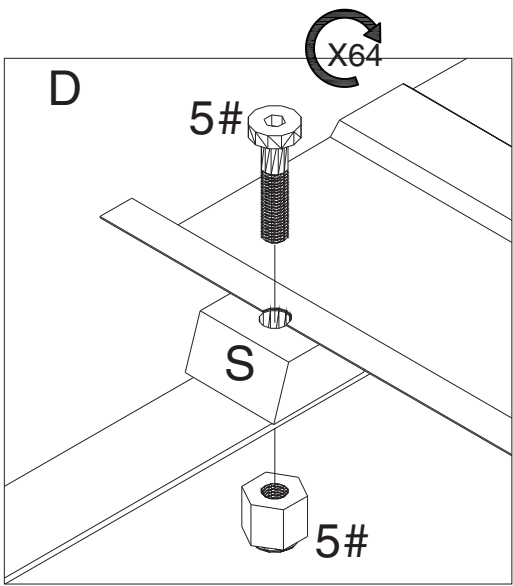
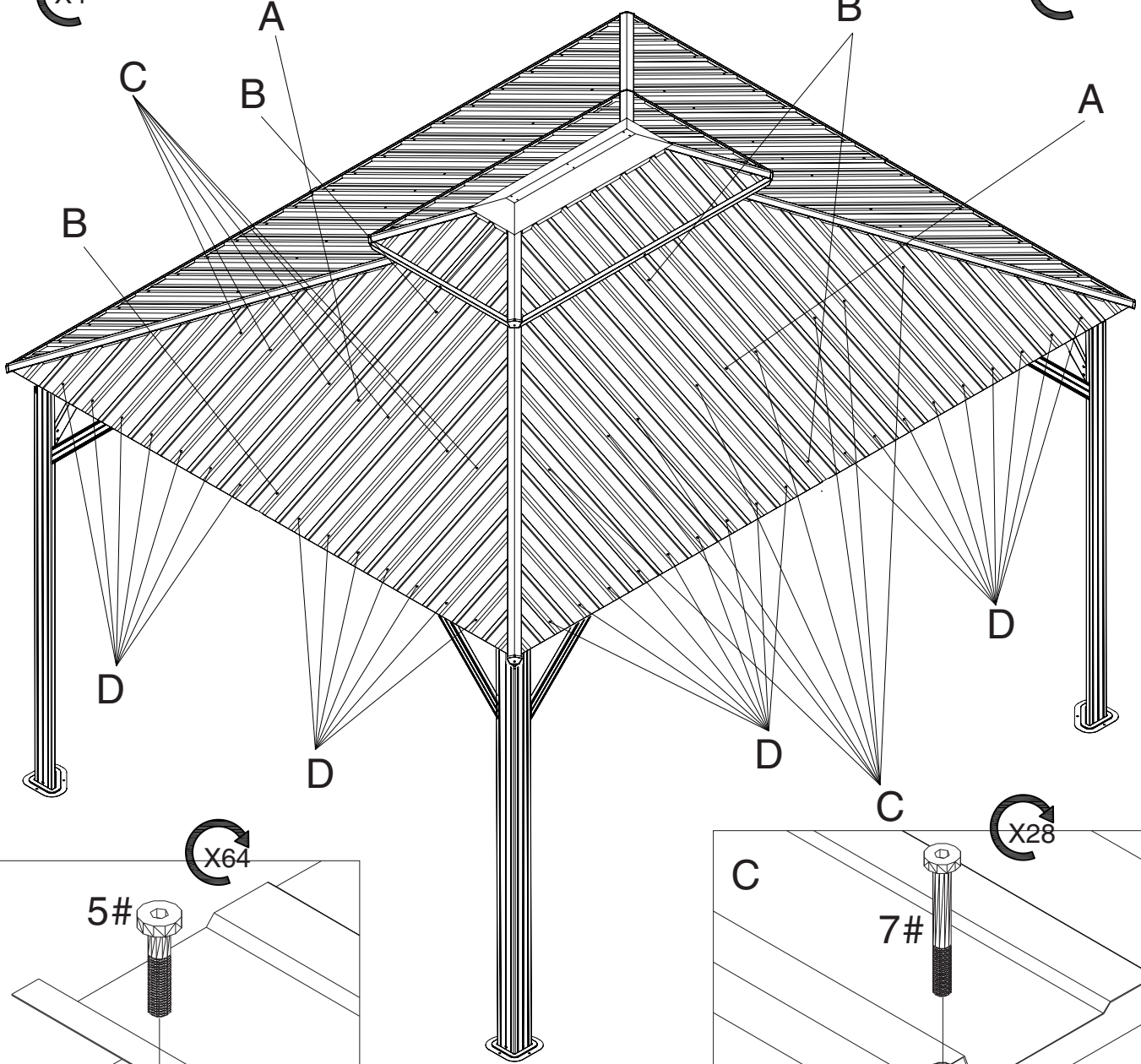
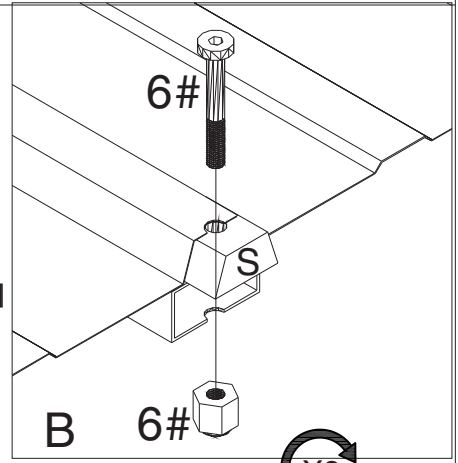
# Parts Required:

-  S (x104)
-  5# (x64)  
L 28mm
-  6# (x8)  
L 45mm
-  7# (x28)  
L 50mm
-  10# (x4)  
L 25mm

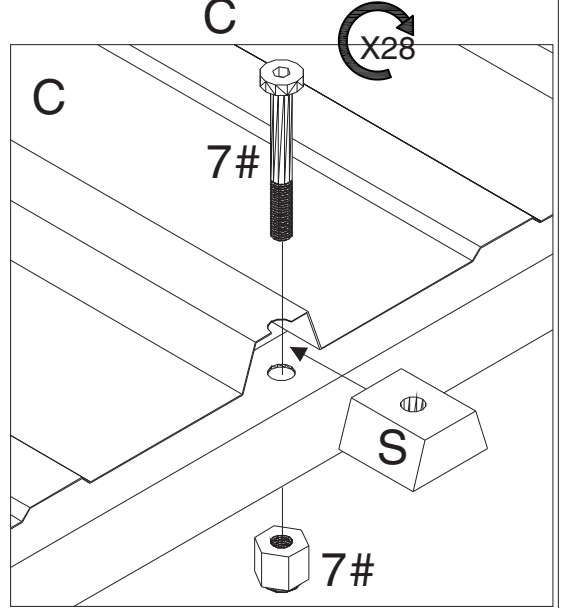






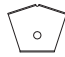

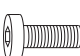
**Step 15:** Affix roof panels using screws and Spacers (Part S) as shown in the diagram.

Align all roof panels and screws **LOOSELY (DO NOT TIGHTEN ANY SCREWS)** until all the roof panels are aligned accordingly, **THEN TIGHTEN** all screws to secure the roof panels in place.



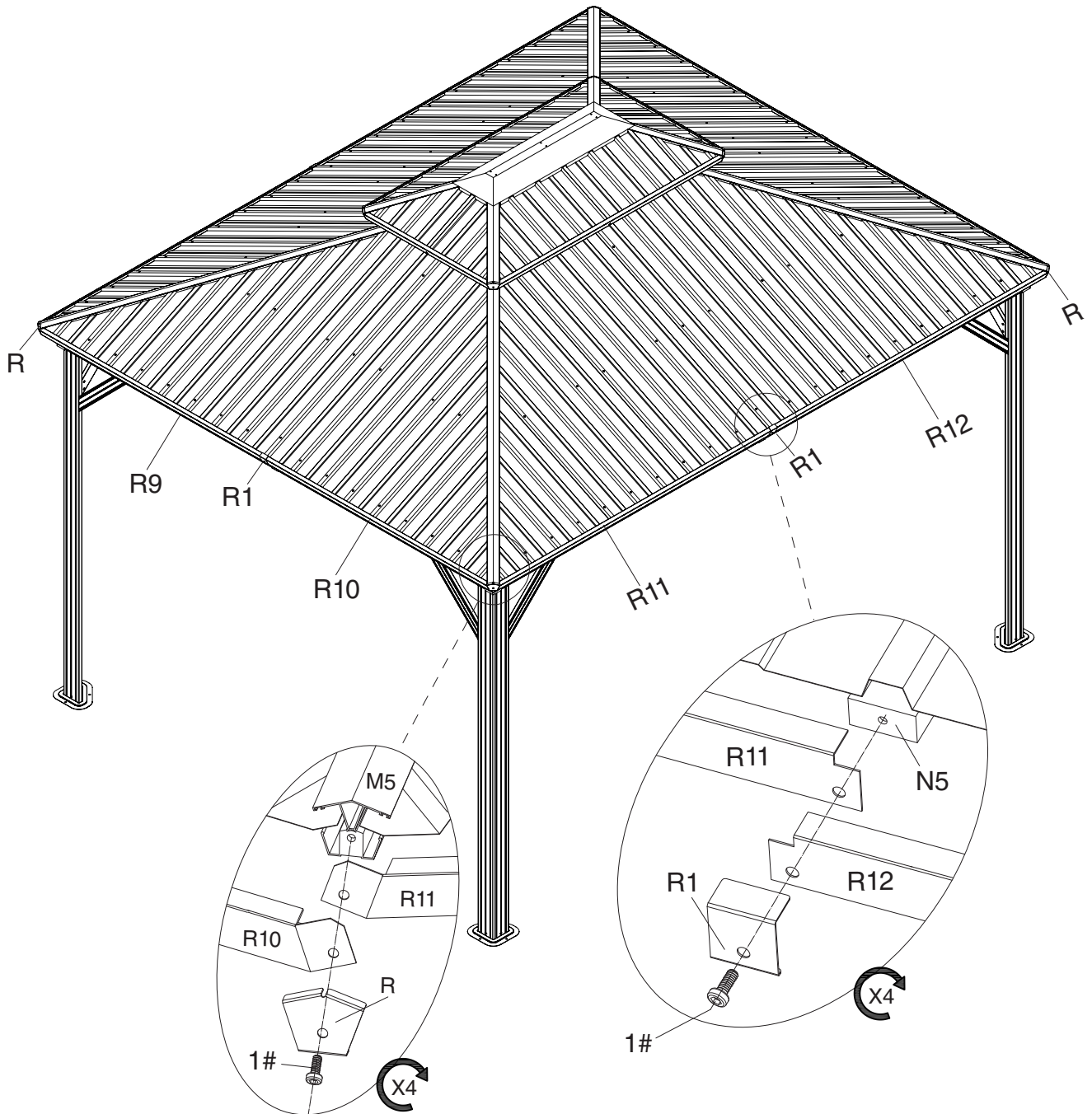
Tip:  
At least two people  
for this step.



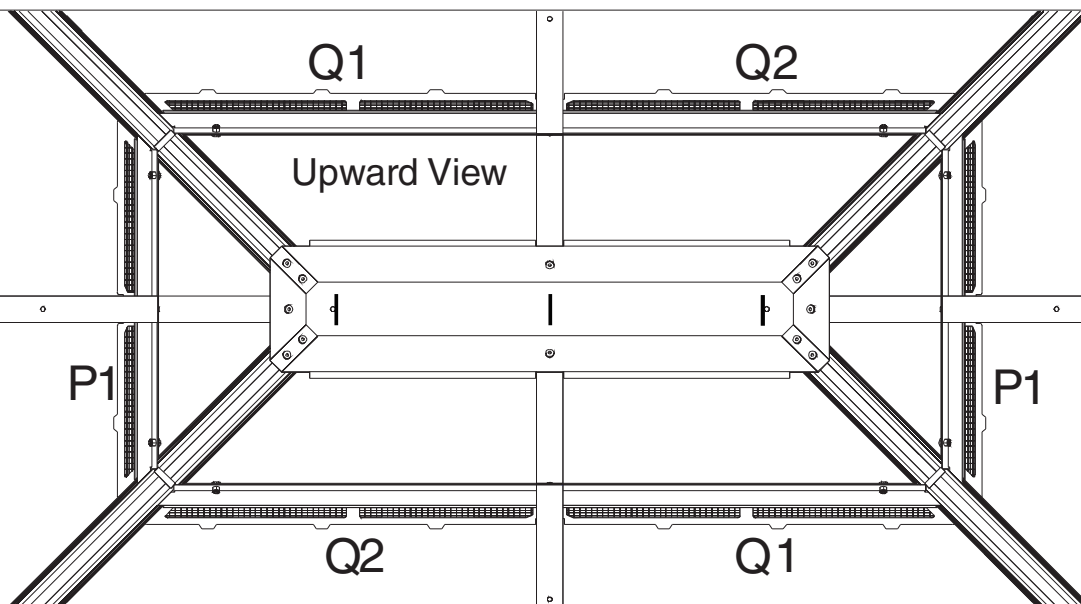
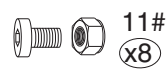
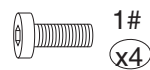
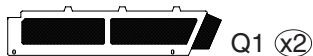
Parts Required:  R9 (x2)  R10 (x2)  
 R11 (x2)  R12 (x2)  
 R (x4)  R1 (x4)  1# (x8)

### Step 16: Cover edge of roof

1. Attach Finishing bars (Part R9, R10, R11, R12) to Roof bar and Corner Roof bar.
2. Then put Finshih End (Part R, R1) to cover them using screws 1# as shown in the diagram.

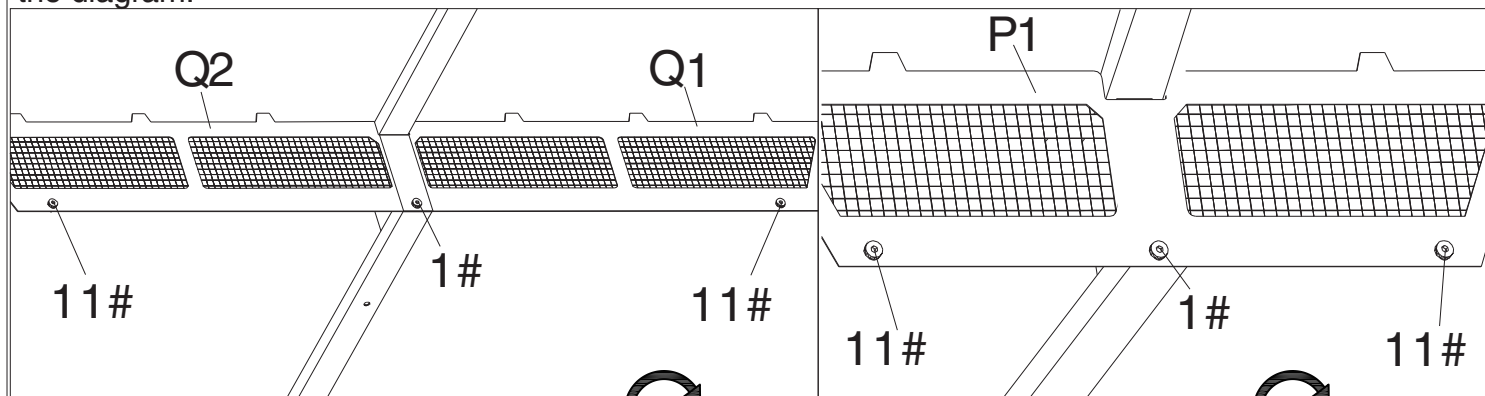


# Parts Required:

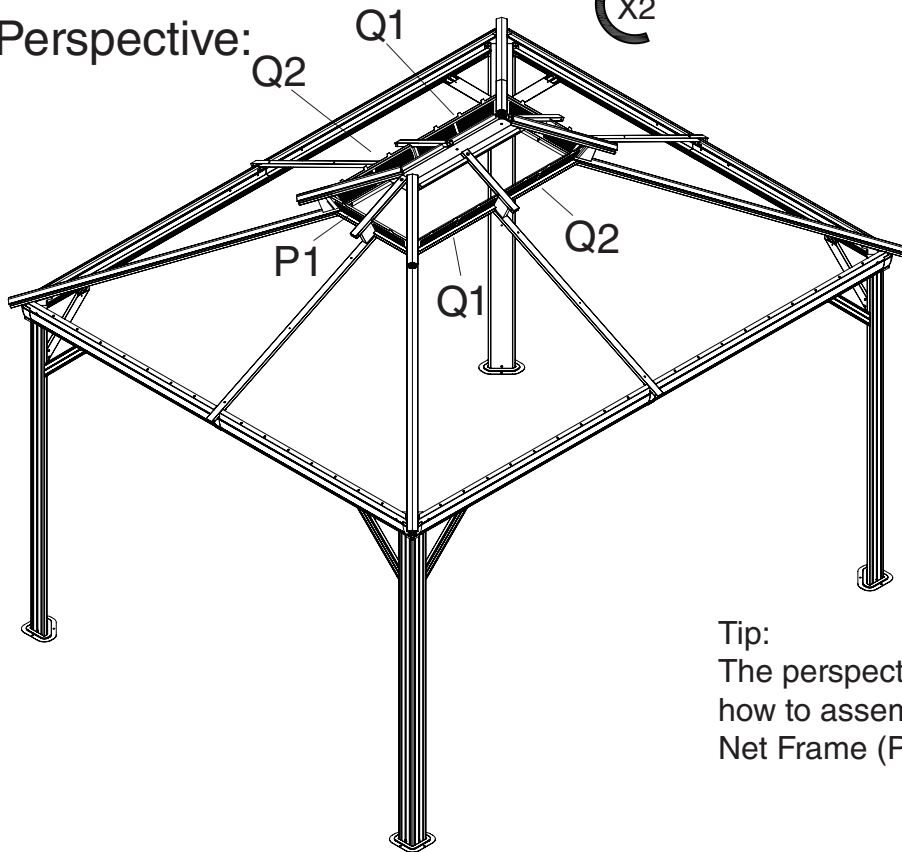


## Step 17: Assemble Net Frame

Attach Net Frames (Part P1, Q1, Q2) to Finishing Bars (Part P, Q) using screws (1#, 11#) as shown in the diagram.

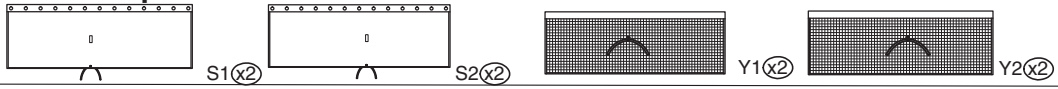


## Perspective:



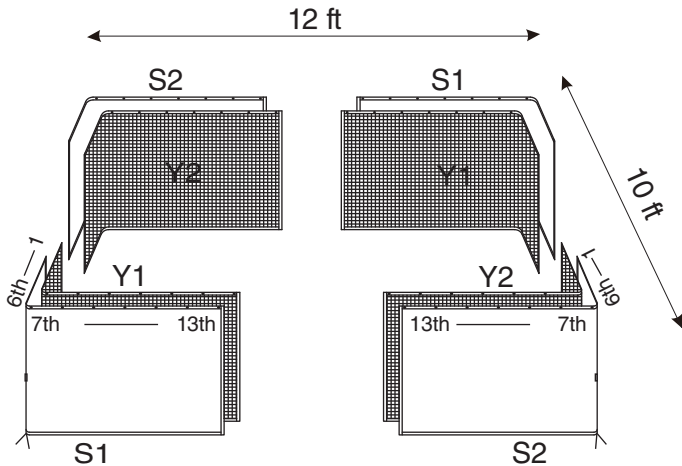
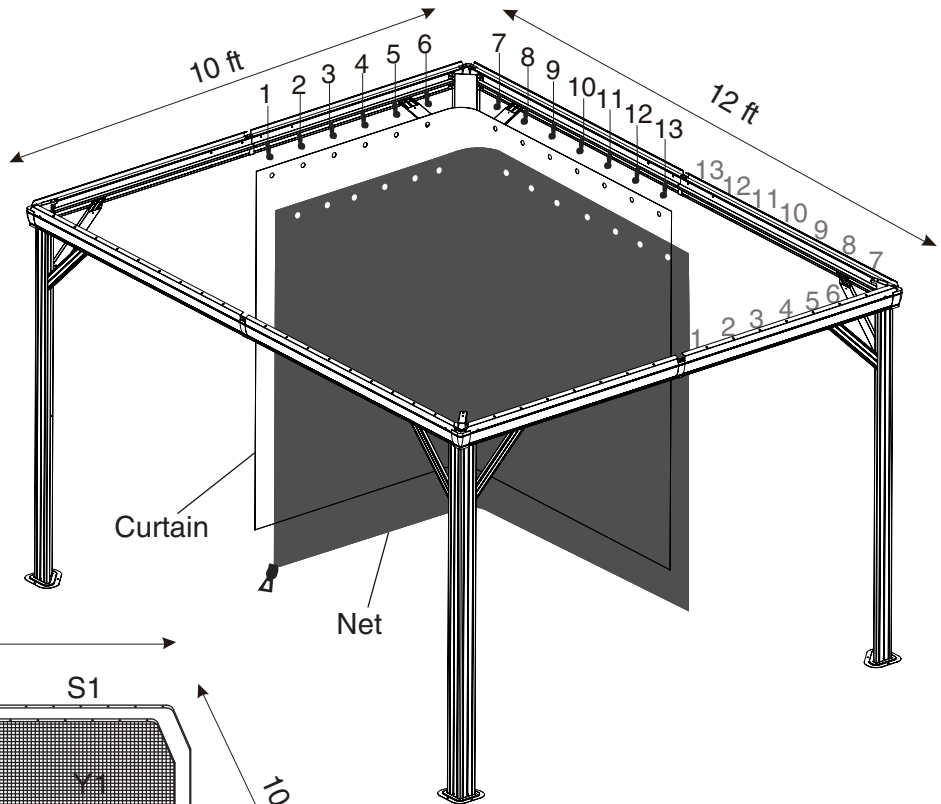
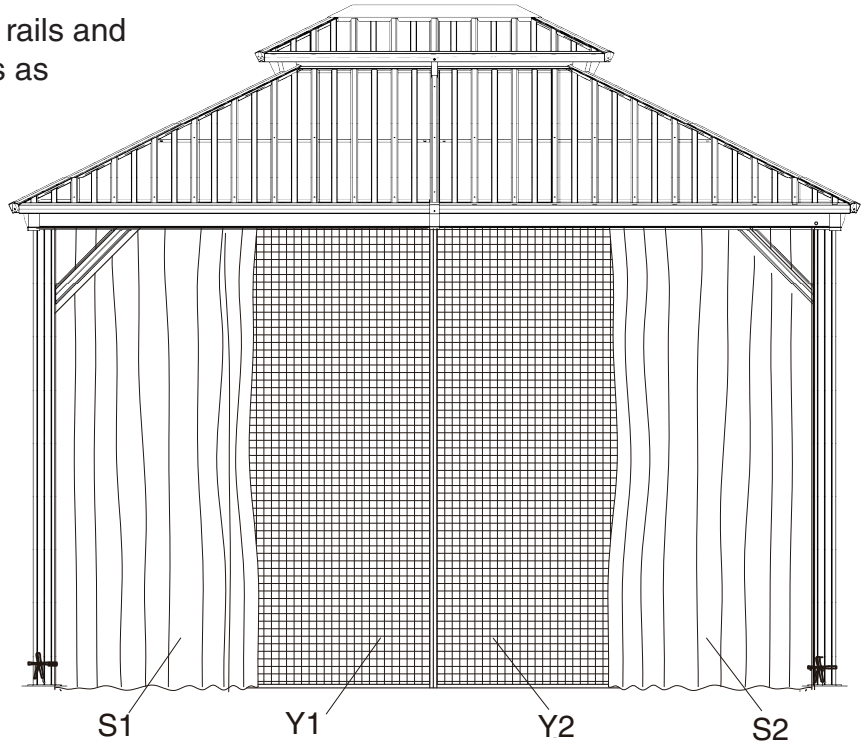
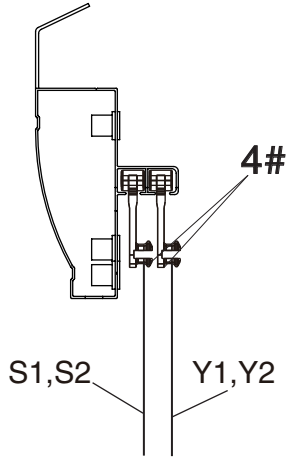
Tip:  
The perspective drawing is for demonstrating how to assemble the final step that sets up the Net Frame (Parts P1, Q1, Q2) more effectively.

# Parts Required:



## Step 18: Assemble Net Sidewall

Hang the Mosquito Net on the inner rails and the Solid Sidewalls on the outer rails as shown in the diagram.

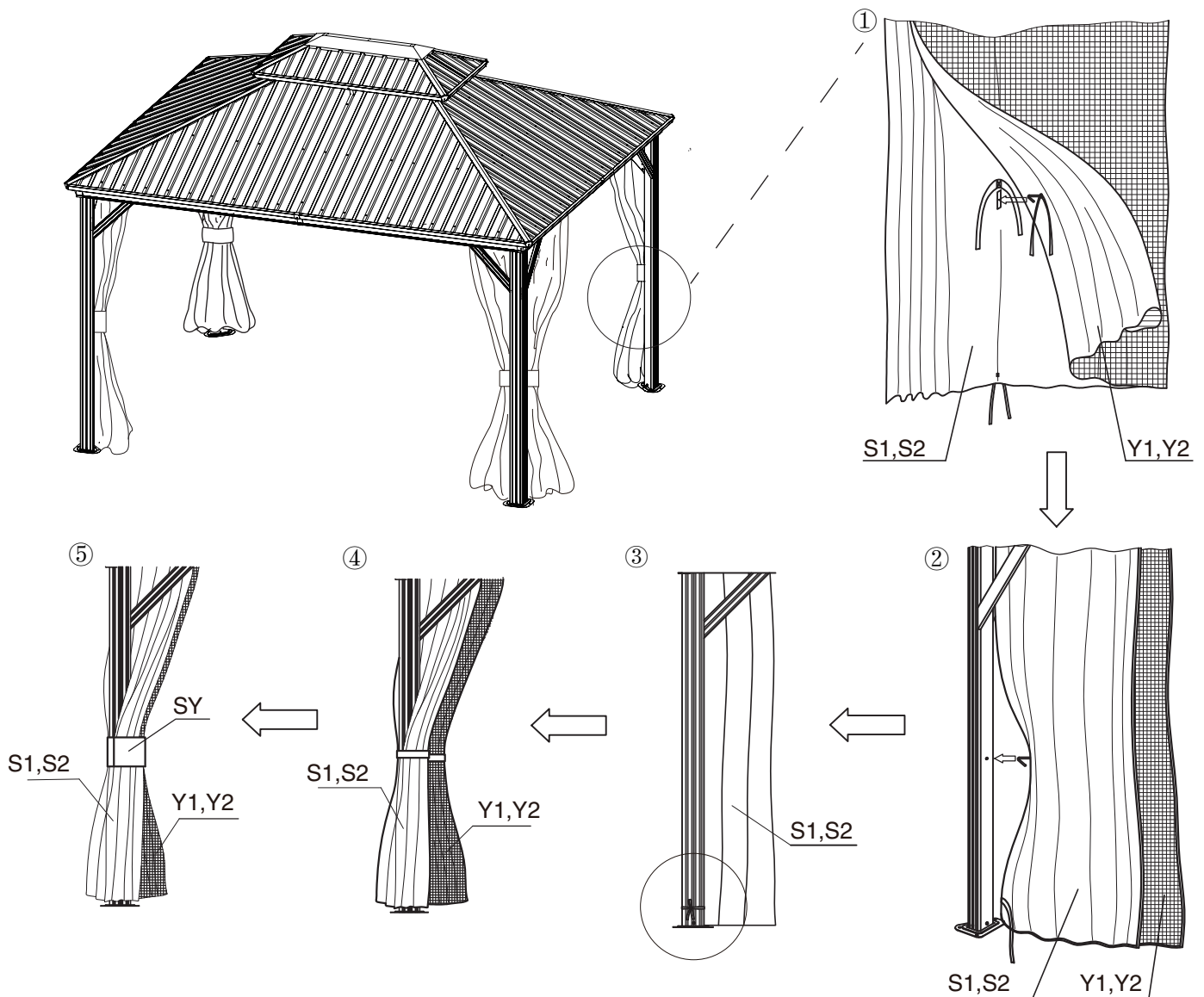




Parts Required:



**Step 19:** When closing the Mosquito Net, refer to the steps below to align it with the poles, as shown in the diagram.



## Care and Warranty

- Clean the frame components and fabric with a mild soap solution, then rinse thoroughly. Avoid using bleach, acid, or any other solvents on either the fabric or frame components.
- The roof, frame, bolts, and nuts come with a guarantee against defects in material and workmanship for one year from the date of purchase. However, the privacy curtain and mosquito netting are warranted for just 90 days. For a comprehensive warranty policy, please visit [www.kozyard.com](http://www.kozyard.com). Be aware that warranty terms can change without prior notification.
- For the best performance and safety of your gazebo, inspect and tighten all bolts and fasteners regularly



Enjoy Cozy Life!

As expert manufacturer of hardtop gazebos, Kozyard remains committed to supporting you with parts and replacements, even beyond your warranty period. Don't hesitate to contact us directly if you are missing parts or need a replacement.

**SUPPORT:**

Toll free: 1-866-355-0018  
[www.kozyard.com](http://www.kozyard.com)  
email: [support@kozyard.com](mailto:support@kozyard.com)

**SOCIAL MEDIA:**



Follow us on Instagram  
[www.instagram.com/kozyard](http://www.instagram.com/kozyard)

**KOZYARD LLC**