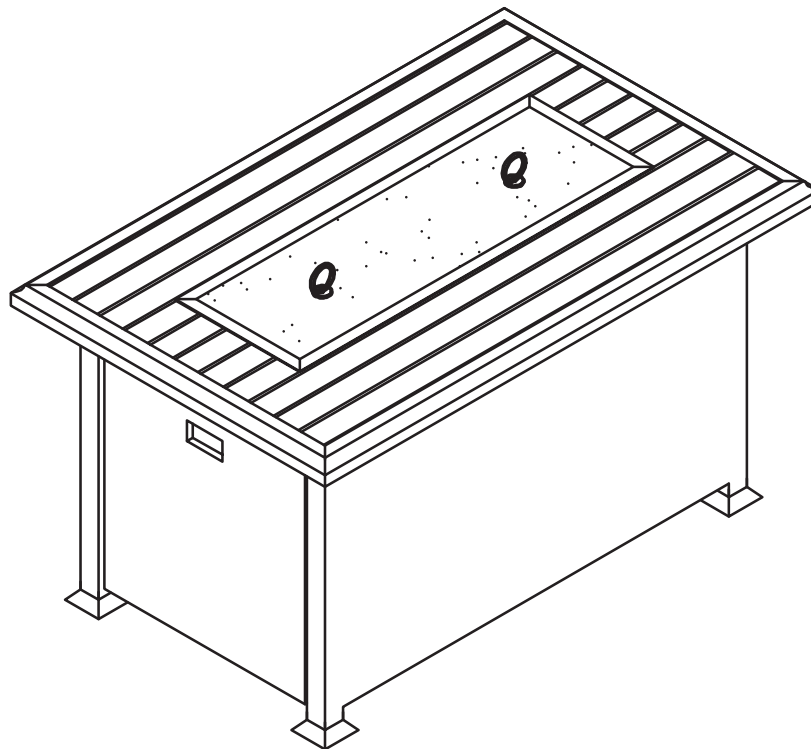


# Outdoor Fire Pit Table

## Assembly Manual



**Read the instructions before use of this product.**

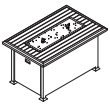
Please keep this instruction manual for future reference.

## *Assembly Instructions*

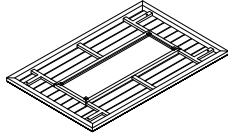
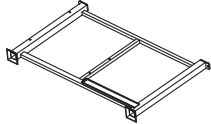
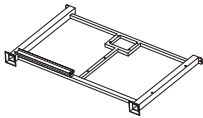
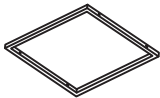
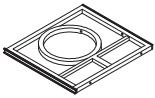
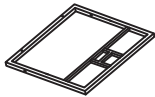
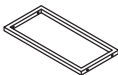
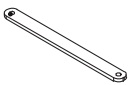

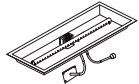
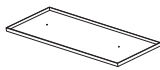

- Prior to assembly, ensure that you lay out and identify all the parts listed in the parts list.
- Tighten all nuts and bolts securely. Hand-tighten all bolts before use. Avoid using power tools or applying excessive force during assembly and bolt tightening.
- If you encounter any difficulties during assembly or if any part is missing or damaged, please don't hesitate to contact our customer service team via email at [info@kozyard.com](mailto:info@kozyard.com) or by calling our toll-free number at 866-355-0018.

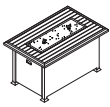
## *Care and warranty*

- We recommend the use of furniture covers to protect the patio fire pit when not in use.
- Clean the frame components and fabric with a mild soap solution, then rinse thoroughly. Avoid using bleach, acid, or any other solvents on either the fabric or frame components.
- To prolong the life and beauty of your patio fire pit table, we recommend storing it in a dry and protective area during off-season periods.
- For a comprehensive warranty policy, please visit [www.kozyard.com](http://www.kozyard.com). Be aware that warranty terms can change without prior notification.
- For the best performance and safety of your chair, inspect and tighten all bolts and fasteners regularly



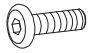
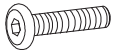
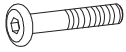

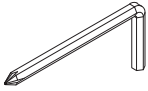
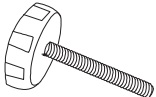
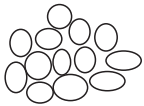



## Part list

Part	Img	Description	Qty
A		Table Top	1PC
B		Right Side Panel	1PC
C		Left Side Panel	1PC
D		Rear Panel	1PC
E		Gas Cylinder Base	1PC
F		Door	1PC
G		Stiffener Panel	1PC
H		Bracket	2PCS
I		Caster	1PC
J		Burner	1PC
K		Burner Lid	1PC
L		Pull Ring	2PCS



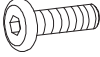
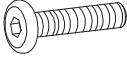
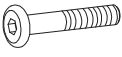



## *Part list*

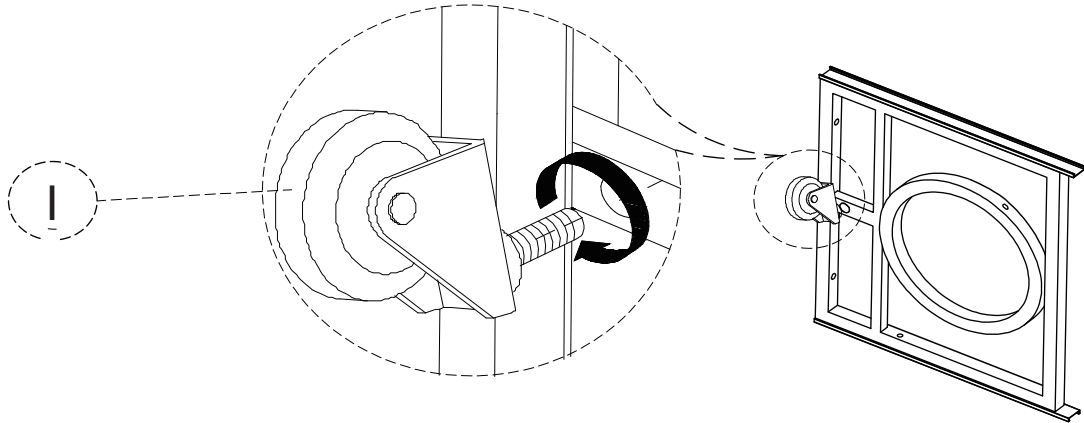
Part	Img	Description	Qty
M		Bolt M4*6	2PCS
N		Washer M4	2PCS
O		Bolt M6*15	16PCS
P		Bolt M6*35	4PCS
Q		Bolt M6*40	6PCS
R		Washer M6	22PCS
S		Allen wrench	1PC
T		Knob	1PC
U		Glass Stones	6 KGS
V		Cover	1PC



## *Extra*

Part	Img	Description	Qty
M		Bolt M4*6	1PC
N		Washer M4	1PC
O		Bolt M6*15	2PCS
P		Bolt M6*35	1PC
Q		Bolt M6*40	1PC
R		Washer M6	3PCS

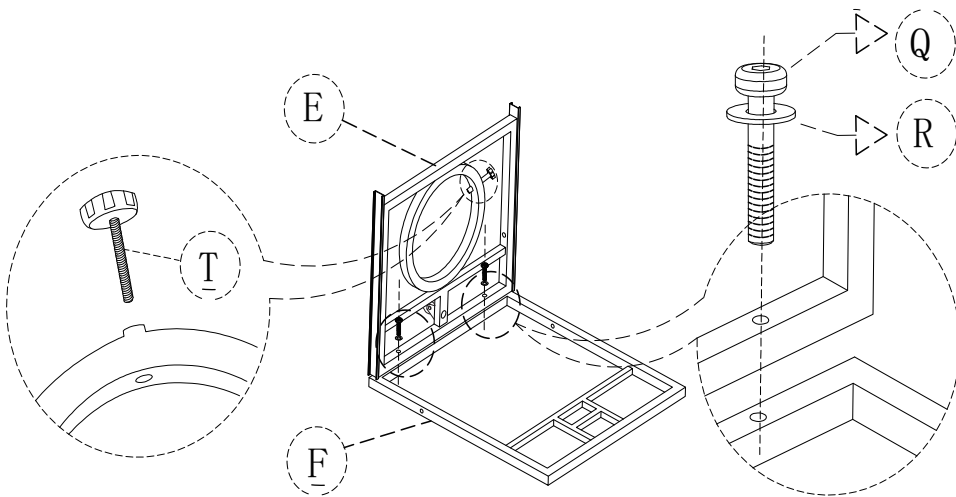
**Step 1:** Screw caster (I) to gas cylinder base (E).



I  x1

**Step 2:** Attach gas cylinder base (E) to door (F) using bolts (Q) and washers (R). Install the knob (T).

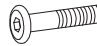
NOTE: Please do not fully tighten bolts until unit is fully assembled.



E  x1

F  x1

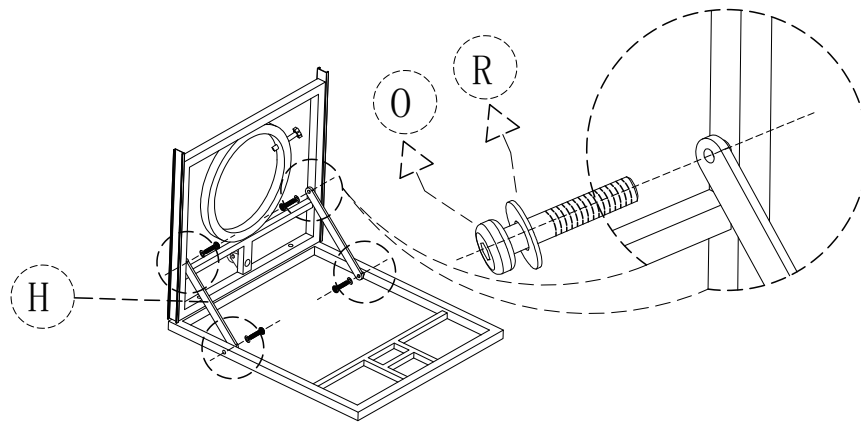
T  x1

Q  x2

R  x2

**Step 3:** Attach brackets (H) to gas cylinder base (E) and door (F) using bolts (O) and washers (R).

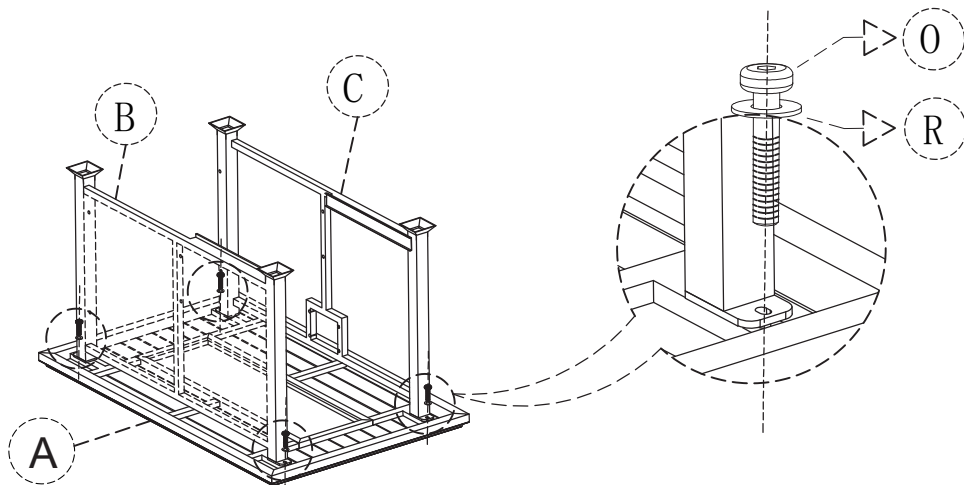
NOTE: Please fully tighten all bolts at this time.



H x 2 O x 4 R x 4

**Step 4:** Attach right side panel (B) and left side panel (C) to table top (A) using bolts (O) and washers (R).

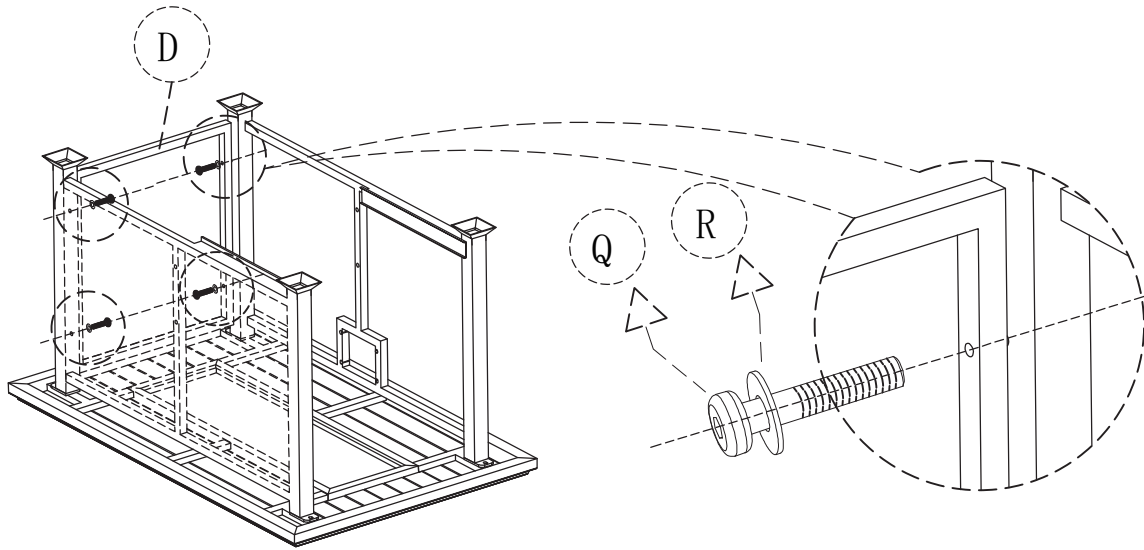
NOTE: Please do not fully tighten bolts until unit is fully assembled.


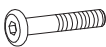



A x1 B x1  
 C x1 O x4 R x4

**Step 5:** Attach rear panel (D) to right side panel (B) and left side panel (C) using bolts(Q) and washers (R).

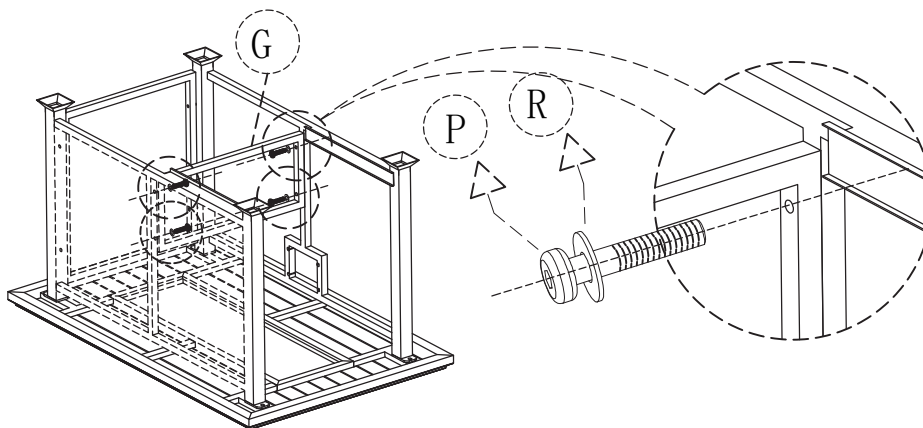
NOTE: Please do not fully tighten bolts until unit is fully assembled.

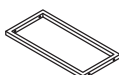
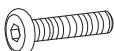



D  x1      Q  x4      R  x4

**Step 6:** Attach stiffener panel (G) to side panel (B) and left side panel (C) using bolts (P) and washers (R).

NOTE: Please fully tighten all bolts at this time.

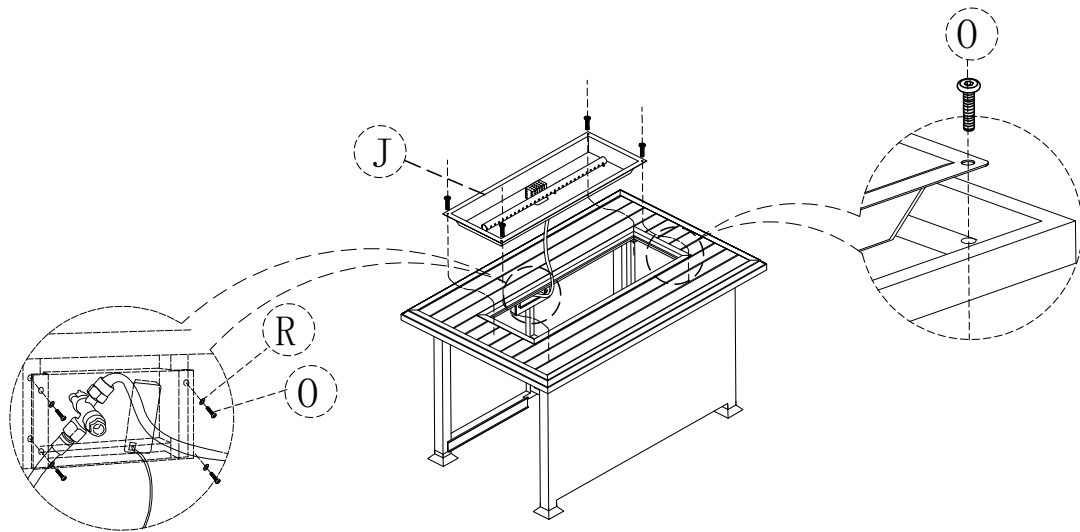


G  x1      P  x4      R  x4

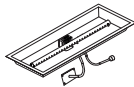


**Step 7:** Attach burner (J) to table top (A) using bolts (O). And attach control panel to left side panel (C) using bolts (O) and washers (R).

NOTE: Please fully tighten all bolts at this time.



J



O



x8

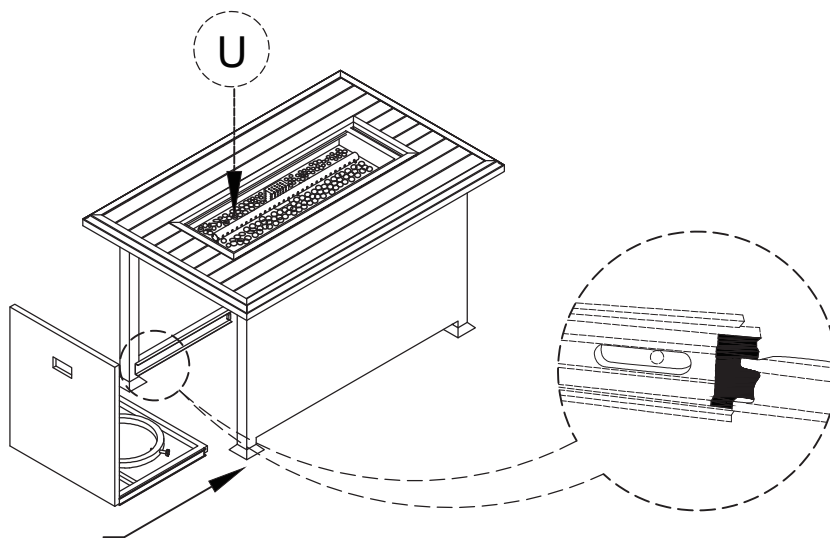
R



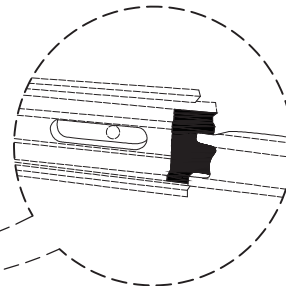
x4

**Step 8:** Insert Door and Gas Cylinder Base (E&F) into the guide rail and push it to the end.

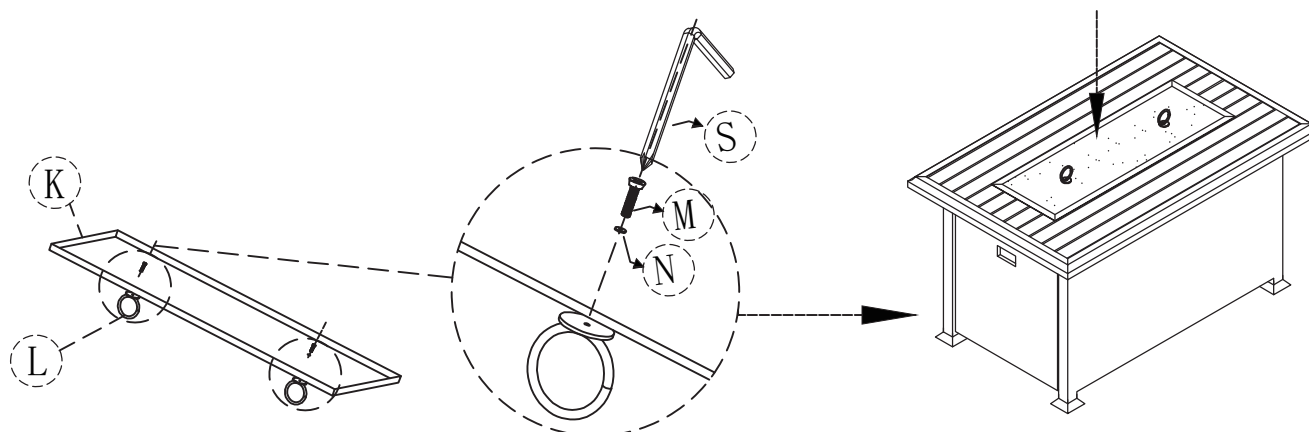
NOTE: Please pour the glass stones (U) into the burner at the this time and place them evenly.




U



**Step 9:** Attach pull ring (L) to burner lid (K) using bolts (M) and washers (N).




K  x1

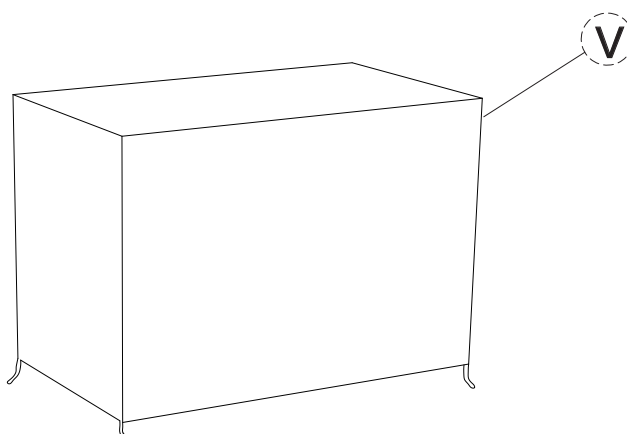
L  x2

M  x2

N  x2

S  x1

**Note:** We recommend the use of furniture covers to protect the patio fire pit when not in use.  
Please remove the wind guard before you use waterproof table cover.



## **SUPPORT:**

Toll free: 1-866-355-0018

[www.kozyard.com](http://www.kozyard.com)

email: [support@kozyard.com](mailto:support@kozyard.com)

## **SOCIAL MEDIA:**



Follow us on Instagram

[www.instagram.com/kozyard](http://www.instagram.com/kozyard)

Upload a picture of your Kozyard product in your home with the hashtag #kozyard share with your friends.

