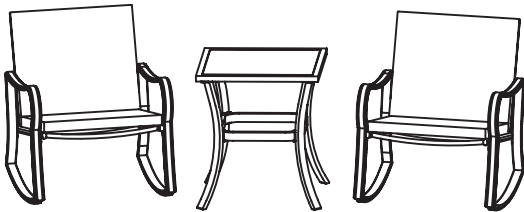




OUTDOOR 3PCS ROCKING CHAIR SET

ASSEMBLY MANUAL



KOZYARD LLC PRODUCTS
WWW.KOZYARD.COM

© Copyright 2016 - 2023 Kozyard LLC. | All Rights Reserved.
Version:20231006

Assembly Instructions



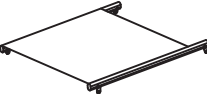
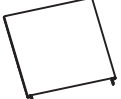




- Prior to assembly, ensure that you lay out and identify all the parts listed in the parts list.
- Tighten all nuts and bolts securely. Hand-tighten all bolts before use. Avoid using power tools or applying excessive force during assembly and bolt tightening.
- If you encounter any difficulties during assembly or if any part is missing or damaged, please don't hesitate to contact our customer service team via email at info@kozyard.com or by calling our toll-free number at 866-355-0018.




Care and warranty

- The weight capacity of this chair is 250 lbs.
- Clean the frame components and fabric with a mild soap solution, then rinse thoroughly. Avoid using bleach, acid, or any other solvents on either the fabric or frame components.
- For a comprehensive warranty policy, please visit www.kozyard.com. Be aware that warranty terms can change without prior notification.
- For the best performance and safety of your chair, inspect and tighten all bolts and fasteners regularly

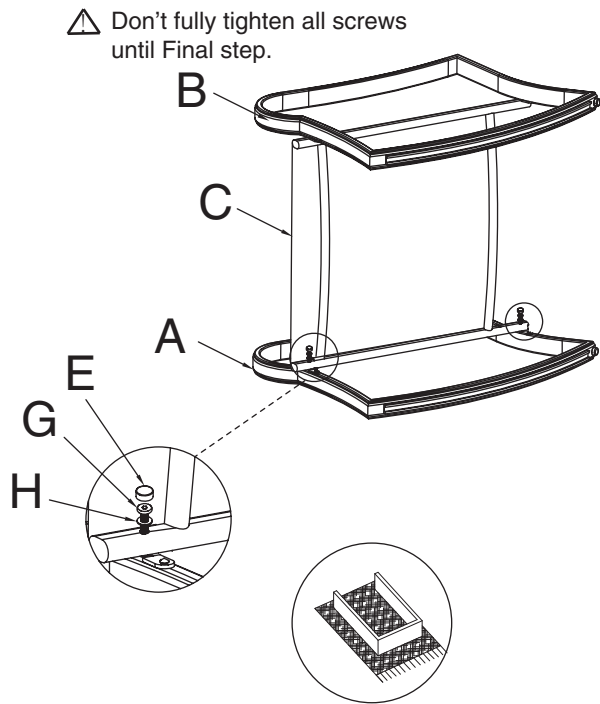
Part list

Chair

Part	Description	Qty
A	 Left Leg	1
B	 Right Leg	1
C	 Seat	1
D	 Back	1
E	 Cap	12
F	 M6*16 Screw	6
G	 M6*30 Screw	6
H	 Washer	12

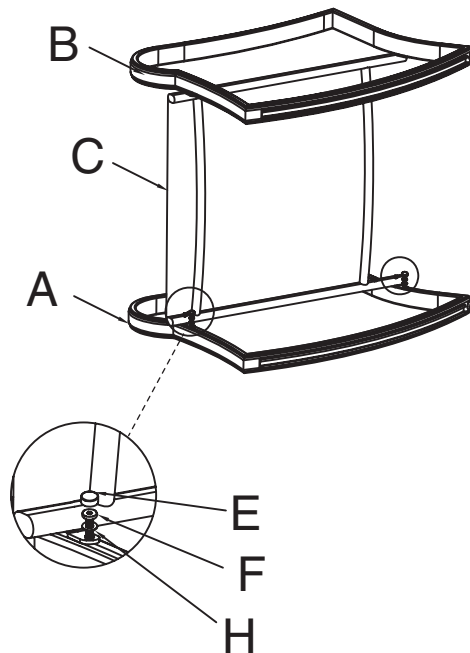
Part	Description	Qty
I	 Screw driver	1
J	 Seat Cushion	1
K	 Back Cushion	1

1. Attach the Left Leg (Part A) and Right Leg (Part B) to the Seat (Part C) using Screws (G), Washers (H), and Caps (E) as illustrated in the diagram.

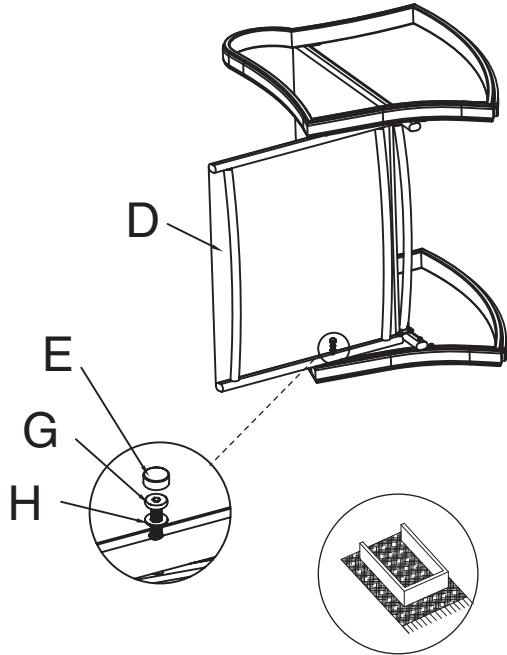


Reminder: All parts must be placed on carpet during assembly.

2. Attach the Left Leg (Part A) and Right Leg (Part B) to the Seat (Part C) using Screws (F), Washer (H), and Cap (E) as depicted in the diagram.

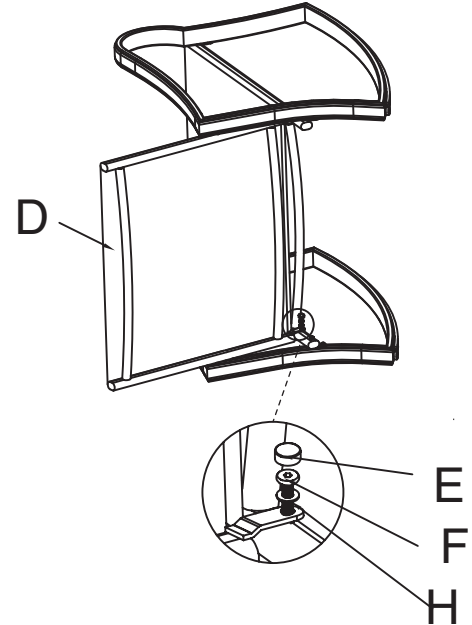


3. Assemble the Back (Part D) with Legs (Parts A and B) using Screws (G), Washers (H), and Caps (E) as illustrated in the diagram.

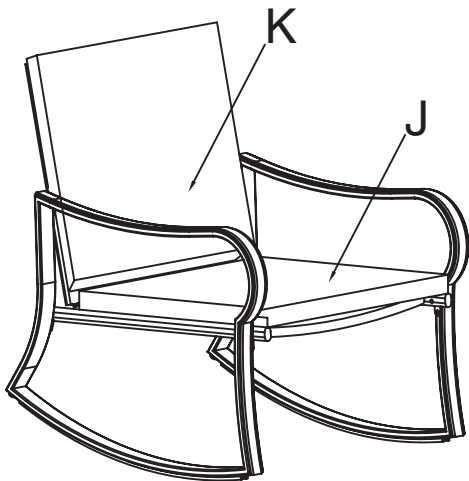


Reminder: All parts must be placed on carpet during assembly.

4. Assemble the Back (Part D) with Legs (Parts A and B) using Screws (F), Washers (H), and Cap (E) as shown in the diagram.

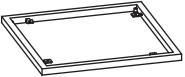









5. Position the Back Cushion (Part K) and Seat Cushion (Part J) on the chair.



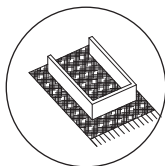
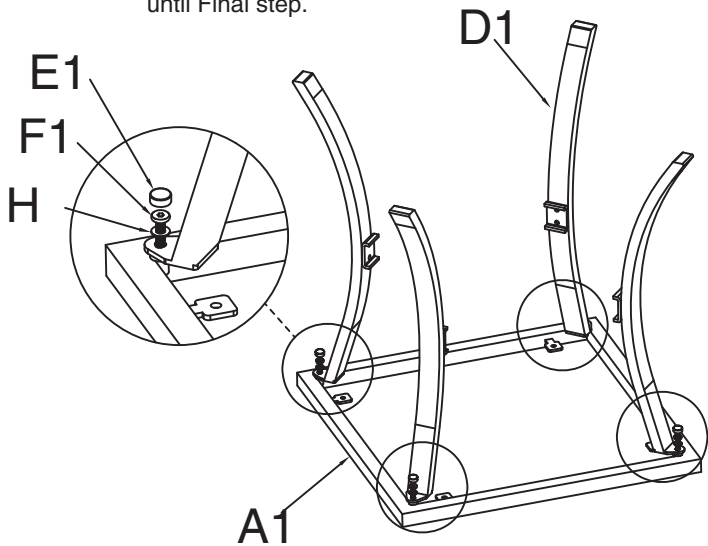
Tighten and check all screws before using on level ground.
Repeat for other rocking chair.

Part list Table

Part	Description	Qty
A1	 Top	1
B1	 Glass	1
C1	 Connector	1
D1	 Leg	4
E	 Cap	12
F1	 M6*16 Screw	4
G1	 M6*22 Screw	8
H	 Washer	12

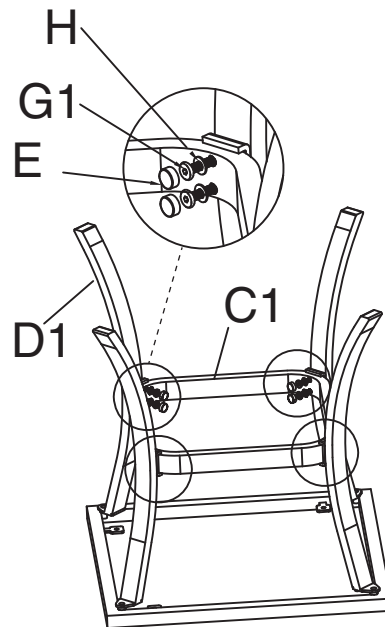
1. Assemble Leg (Part D1) with Top (Part A1) using Screw (F1), Washer (H), and Cap (E).

⚠ Don't fully tighten all screws until Final step.

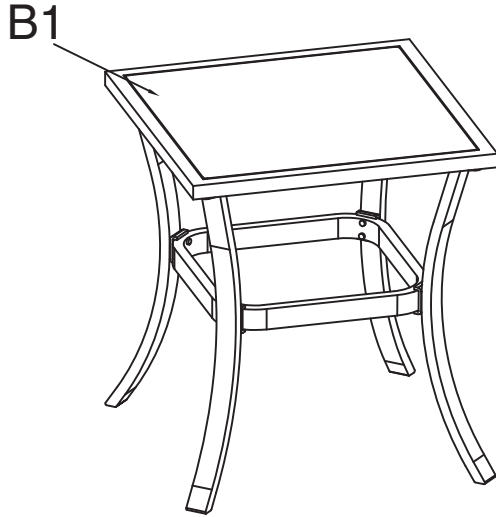


Reminder: All parts must be placed on carpet during assembly.

2. Connect Connector (Part C1) with Leg (Part D1) using Screw (G1), Washer (H), and Cap (E)



3. Place Glass (Part B1) on top.
Ensure that all screws are securely tightened
and inspect them before use on level ground.



Enjoy Cozy Life!

SUPPORT:

Toll free: 866-355-0018

www.kozyard.com

email: support@kozyard.com

SOCIAL MEDIA:



Follow us on Instagram

www.instagram.com/kozyard

KOZYARD LLC