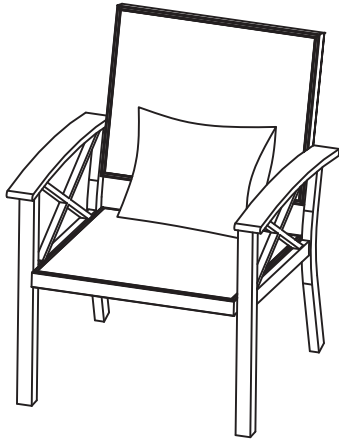




**OUTDOOR 4PCS WOOD-LOOKING  
CONVERSATION SET  
(CHAIR)**




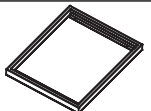




**ASSEMBLY MANUAL**



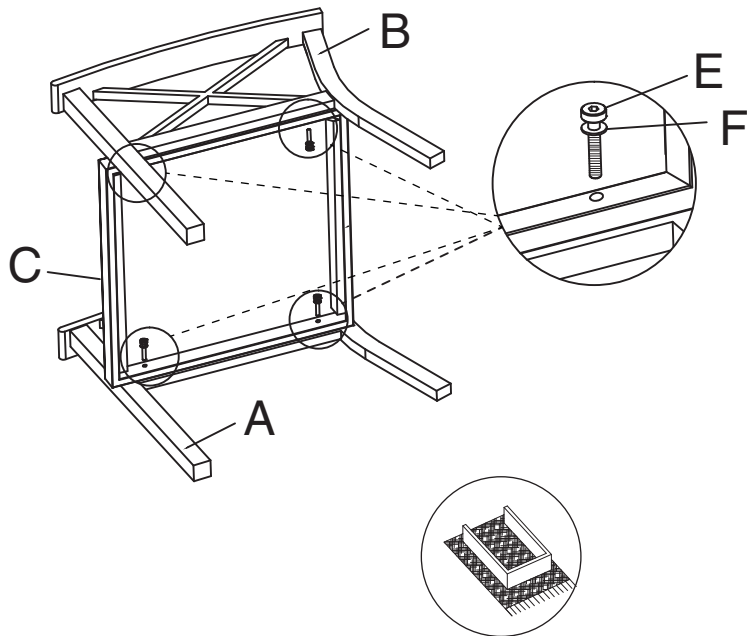
**ASSEMBLY INSTRUCTIONS**

- Prior to assembly, make sure you lay out and identify all the parts listed below in the parts list.
- Tighten all nuts and bolts securely. All bolts should be hand tightened before use. Never use power tools or excessive force during assembly and tightening of bolts.
- Should you experience any difficulty during assembly, or if any part is missing or damaged:  
Contact our customer service by email: [info@kozyard.com](mailto:info@kozyard.com) or call toll free: 866-355-0018.

# Part list

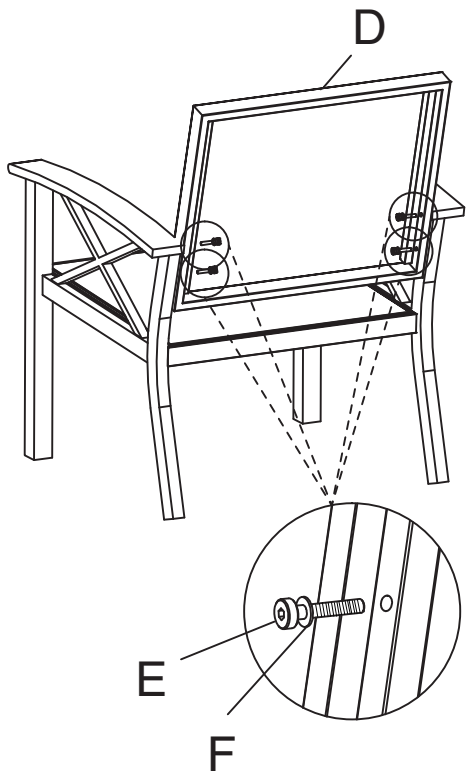
Part	Description	Qty
A	 Left Leg	1
B	 Right Leg	1
C	 Seat	1
D	 Back	1
E	 M6X30 Screws	8
F	 Washer	8
G	 Allen key	1
H	 Pillow	1

1. Connect the Left Leg (Part A), Right Leg (Part B) and Seat (Part C) using Screws (E) and Washer (F) as shown in diagram.

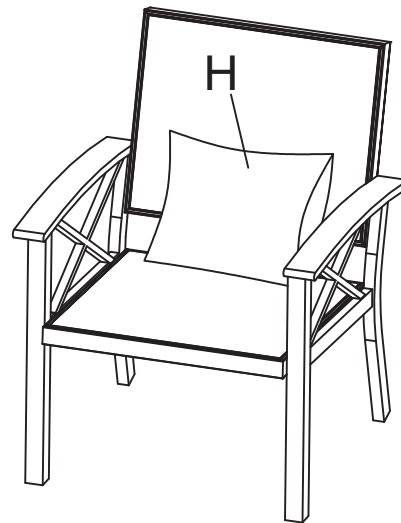


Reminder: All parts must be put on the carpet in the assembly.

- 2.** Connect Back (Part D) with Legs (Parts A&B) using Screws (E) and Washer (F) as shown in diagram.



- 3.** Place Pillow (Part H) on seat as shown in diagram.

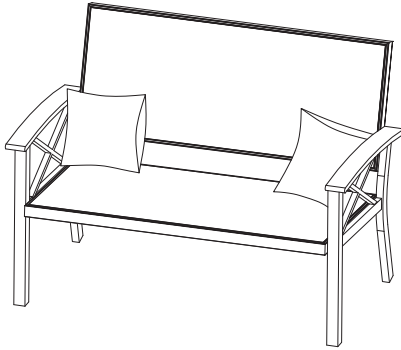


Tighten and check all screws before using on level ground.



**OUTDOOR 4PCS WOOD-LOOKING  
CONVERSATION SET  
(LOVESEAT)**

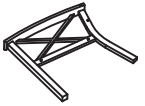

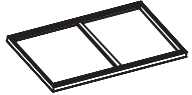
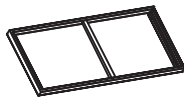




**ASSEMBLY MANUAL**



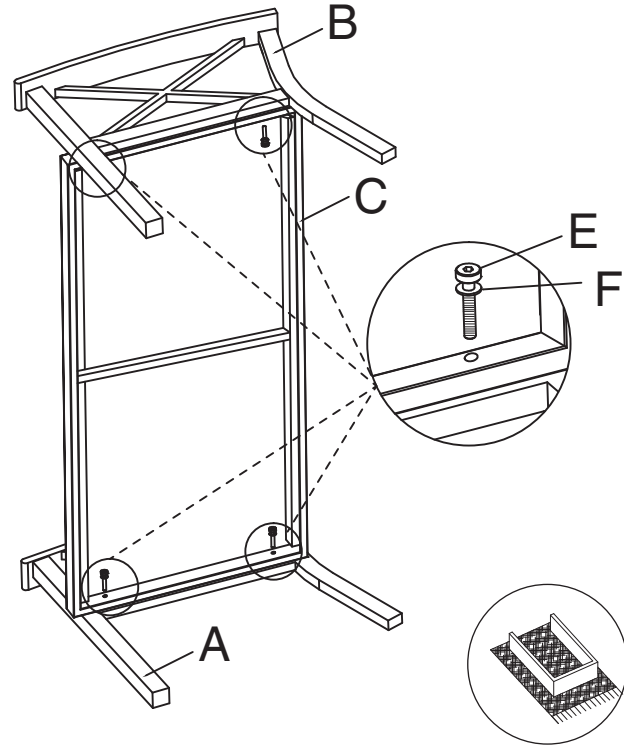
**ASSEMBLY INSTRUCTIONS**

- Prior to assembly, make sure you lay out and identify all the parts listed below in the parts list.
- Tighten all nuts and bolts securely. All bolts should be hand tightened before use. Never use power tools or excessive force during assembly and tightening of bolts.
- Should you experience any difficulty during assembly, or if any part is missing or damaged:  
Contact our customer service by email: [info@kozyard.com](mailto:info@kozyard.com) or call toll free: 866-355-0018.

# Part list

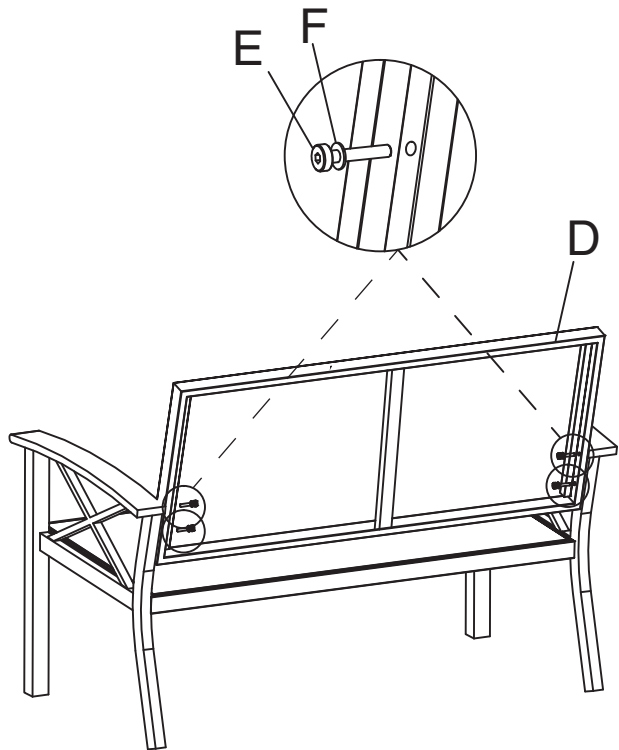
Part	Description	Qty
A	 Left Leg	1
B	 Right Leg	1
C	 Seat	1
D	 Back	1
E	 M6X30 Screws	8
F	 Washer	8
G	 Allen key	1
H	 Pillow	2

1. Connect the Left Leg (Part A), Right Leg (Part B) and Seat (Part C) using Screws (E) and Washer (F) as shown in diagram.

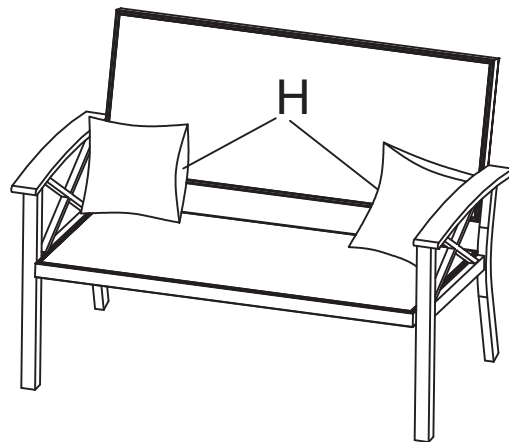


Reminder: All parts must be placed on the carpet during assembly.

2. Connect Back (Part D) with Legs (Part A&B) using Screws (E) and Washer (F) as shown in diagram.



3. Put Pillow (Part H) on seat as shown in diagram.

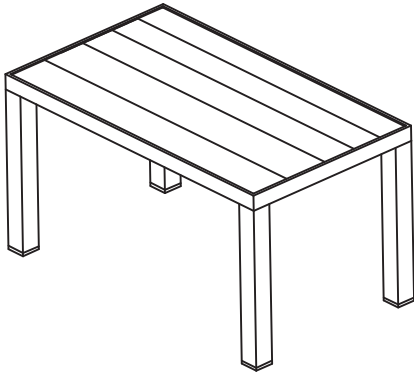


Tighten and check all screws before using on level ground.



**OUTDOOR 4PCS WOOD-LOOKING  
CONVERSATION SET  
(TABLE)**

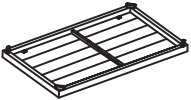


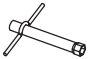



**ASSEMBLY MANUAL**



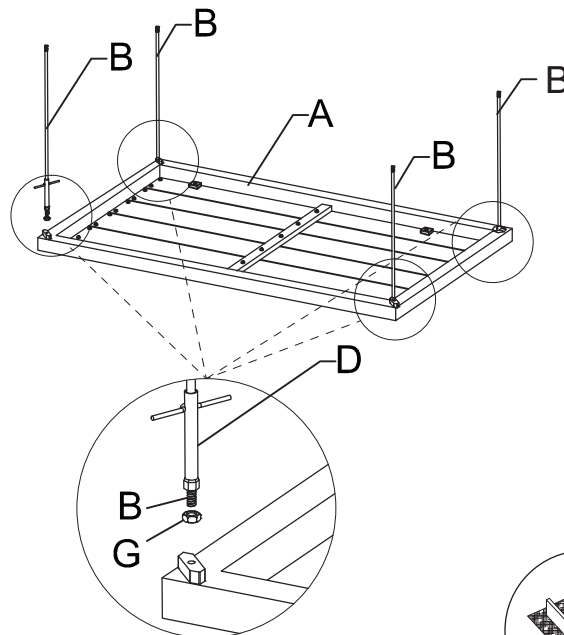
**ASSEMBLY INSTRUCTIONS**

- Prior to assembly, make sure you lay out and identify all the parts listed below in the parts list.
- Tighten all nuts and bolts securely. All bolts should be hand tightened before use. Never use power tools or excessive force during assembly and tightening of bolts.
- Should you experience any difficulty during assembly, or if any part is missing or damaged:  
Contact our customer service by email: [info@kozyard.com](mailto:info@kozyard.com) or call toll free: 866-355-0018.

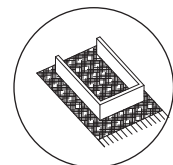
# Part list

Part	Description	Qty
A	 Top	1
B	 Fixing Bolt	4
C	 Leg	4
D	 Driver	1
E	 Washer	4
F	 Washer	4
G	 Nut	8

1. Screw Fixing Bolt (Part B) to four corners of Top (Part A) as shown in diagram.



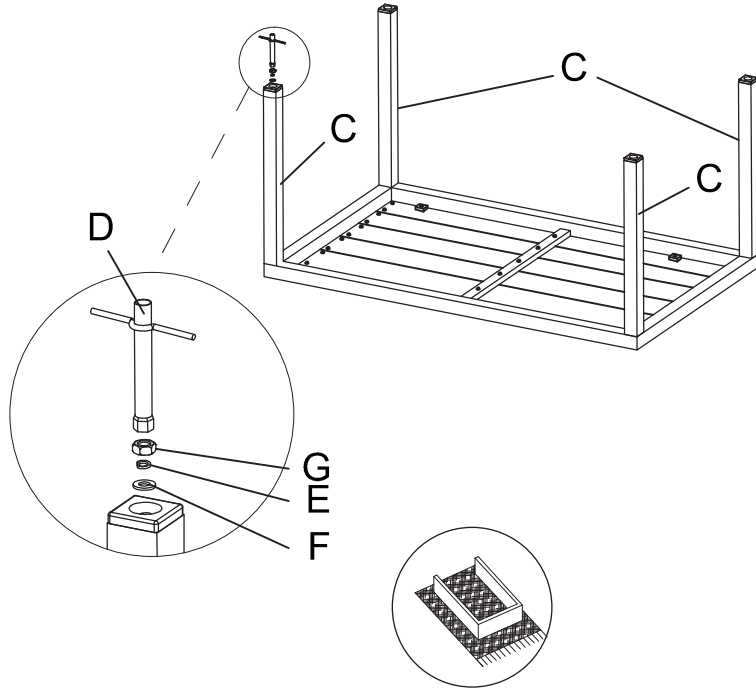
Tighten Nuts (Part G)



Reminder: All parts must be placed on carpet during assembly.

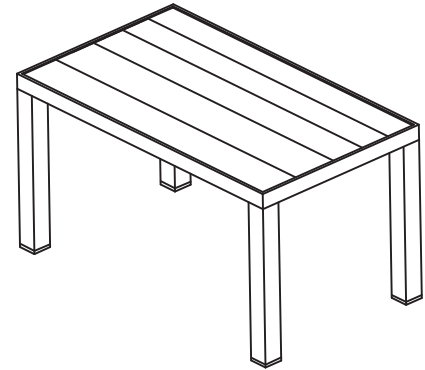


- 2.** Position Leg (Part C) to Cover (Part B) as shown in diagram.  
Then tighten Nut (Part G) and Washers (E&F) in order to attach Legs (Part C).



Reminder: All parts must be put on the carpet in the assembly.

- 3.** Tighten and check all screws before using on level ground.





Enjoy Cozy Life!

**SUPPORT:**

Toll free: 1-866-355-0018

[www.kozyard.com](http://www.kozyard.com)

email: [support@kozyard.com](mailto:support@kozyard.com)

**SOCIAL MEDIA:**



Follow us on Instagram

[www.instagram.com/kozyard](http://www.instagram.com/kozyard)