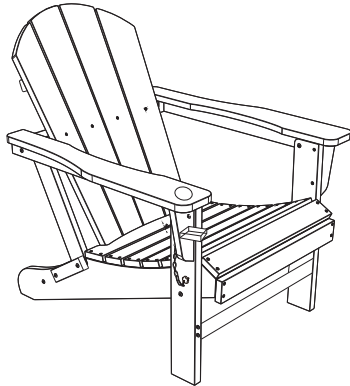




Enjoy Cozy Life!

PATIO FOLDING ADIRONDACK CHAIR

ASSEMBLY MANUAL



KOZYARD LLC PRODUCTS

WWW.KOZYARD.COM

© Copyright 2016 - 2023 Kozyard LLC. | All Rights Reserved.
Version:20231006











Assembly Instructions

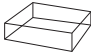







- Prior to assembly, ensure that you lay out and identify all the parts listed in the parts list.
- Tighten all nuts and bolts securely. Hand-tighten all bolts before use. Avoid using power tools or applying excessive force during assembly and bolt tightening.
- If you encounter any difficulties during assembly or if any part is missing or damaged, please don't hesitate to contact our customer service team via email at info@kozyard.com or by calling our toll-free number at 866-355-0018.

Care and warranty

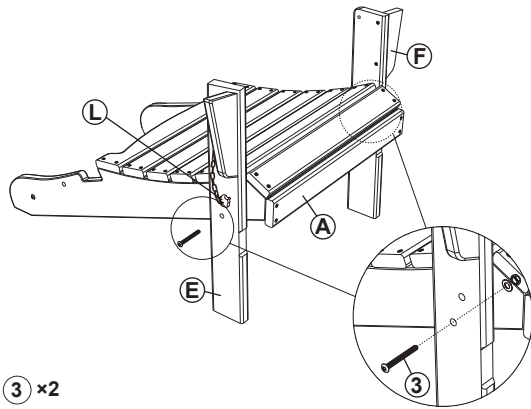
- The weight capacity of this chair is 250 lbs.
- For a comprehensive warranty policy, please visit www.kozyard.com. Be aware that warranty terms can change without prior notification.
- For the best performance and safety of your chair, inspect and tighten all bolts and fasteners regularly

PART LIST

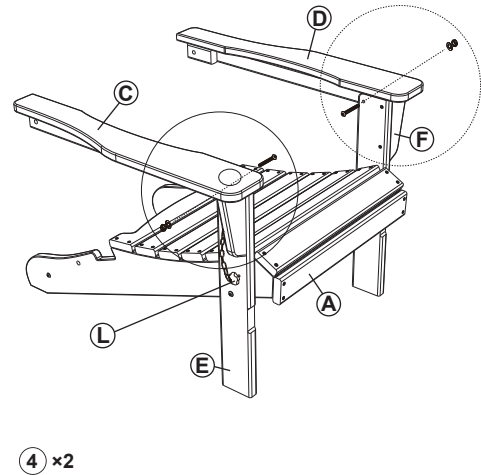
PART	DESCRIPTION	QTY
(A)	 Seat	1pc
(B)	 Back	1pc
(C)	 Armrest	1pc
(D)	 Armrest	1pc
(E)	 Leg	1pc
(F)	 Leg	1pc
(G)	 Front Connecting Bar	1pc
(H)	 Fasten Bar	2pc
(L)	 Knobs	2pc
(J)	 Back Connecting Bar	1pc

PART	DESCRIPTION	QTY
(K)	 Holder	1pc
(1)	M6x45mm 	9pc
(2)	M6x45mm 	2pc
(3)	M6x50mm 	2pc
(4)	M6x60mm 	2pc
(5)	M6x68mm 	2pc
(6)		1pc
(7)		1pc

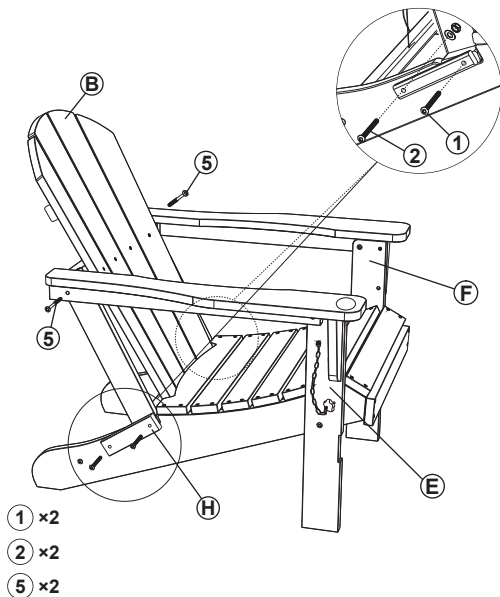
1. Connect the legs (Part E and Part F) with the seat (Part A) using bolt ③, as illustrated in the diagram."



2. Connect the armrests (Part C and Part D) with the legs (Part E and Part F) using bolt ④, as indicated in the diagram.



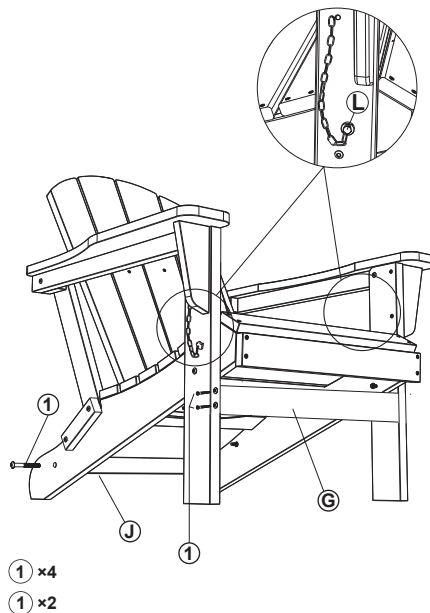
3. First connect back (part B) with armrests (part E and part F) by using bolt ⑤ as shown in diagram. Then connect fasten bar (part H) with seat (part A) by using bolt ① and bolt ② as shown in diagram.



4. First, connect the back bar (Part J) with the seat (Part A) using bolt ① as indicated in the diagram.

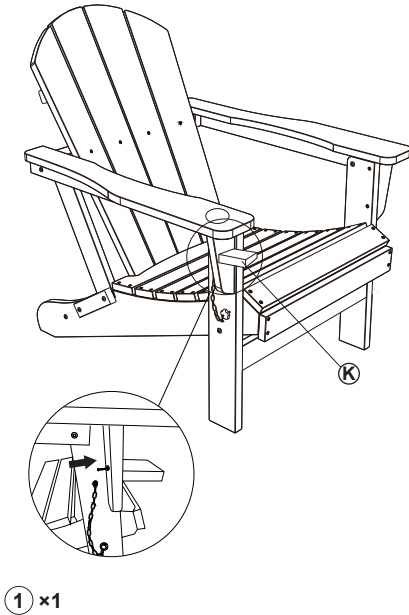
Then connect front bar (part G) with seat (part A) using bolt ① and bolt ② as shown in diagram. by using bolt ① as shown in diagram.

Finally, tighten the knobs (Part L) from the legs to the seat (Part A) as shown in the diagram.



5. Assemble holder (part K) by using bolt ① as shown in diagram.

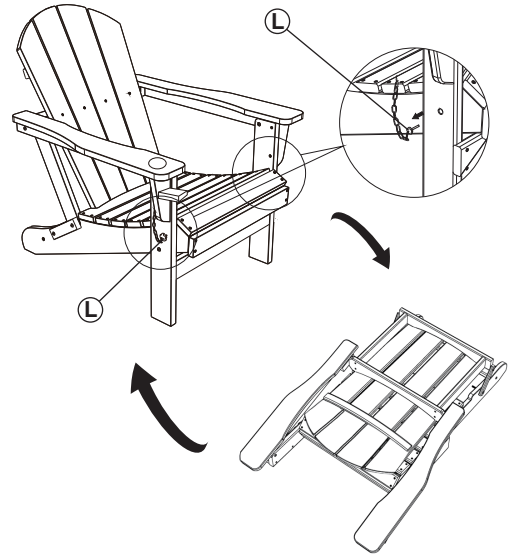
Complete the assembly.
Fasten all screws before use.



Tips:

For storage or folding to carry, pull out the knobs (Part L) from both the legs and seat to fold the chair, as demonstrated in the diagram.

To use the chair, put the knobs (Part L) back into their respective positions on both sides and lock them, as shown in the diagram.





Enjoy Cozy Life!

SUPPORT:

Toll free: 866-355-0018

www.kozyard.com

email: support@kozyard.com

SOCIAL MEDIA:



Follow us on Instagram

www.instagram.com/kozyard

KOZYARD LLC