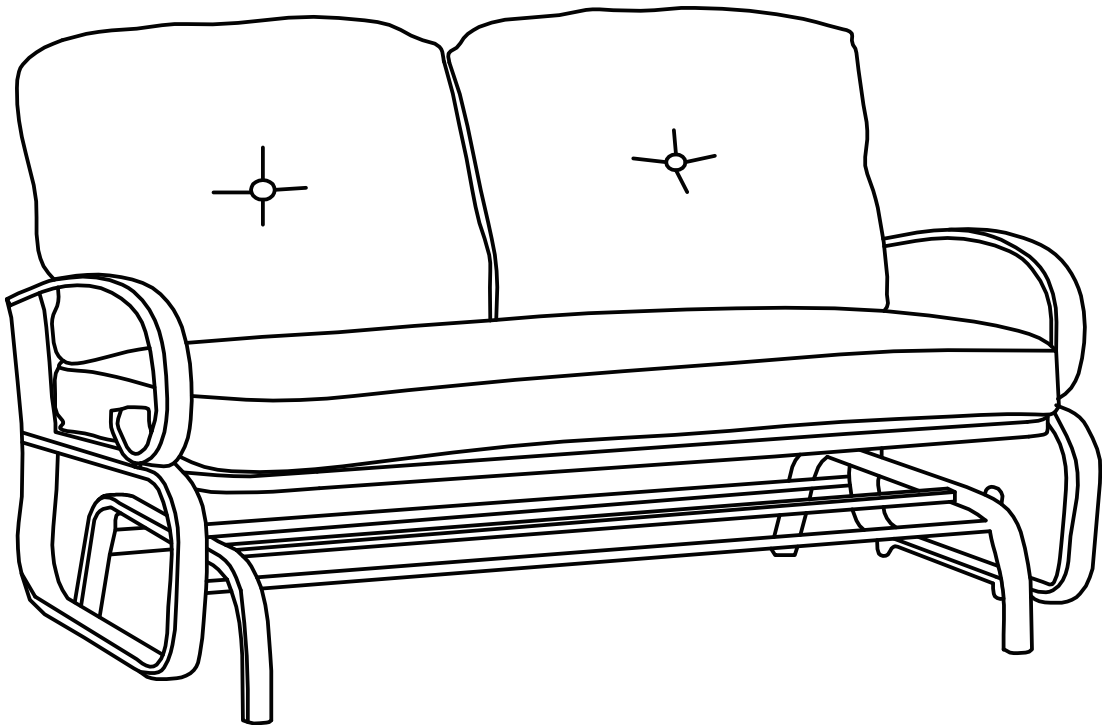




# COZY ROCKING LOVE SEAT BENCH GLIDER ASSEMBLY MANUAL



**KOZYARD LLC PRODUCTS**

**WWW.KOZYARD.COM**

Copyright 2016 - 2023 Kozyard LLC. | All Rights Reserved.

© Version:20231006




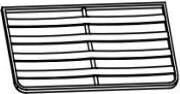










## *Care and warranty*

- The weight capacity of this chair is 250 lbs.
- Clean the frame components and fabric with a mild soap solution, then rinse thoroughly. Avoid using bleach, acid, or any other solvents on either the fabric or frame components.
- For a comprehensive warranty policy, please visit [www.kozyard.com](http://www.kozyard.com). Be aware that warranty terms can change without prior notification.
- For the best performance and safety of your chair, inspect and tighten all bolts and fasteners regularly

## *Assembly Instructions*

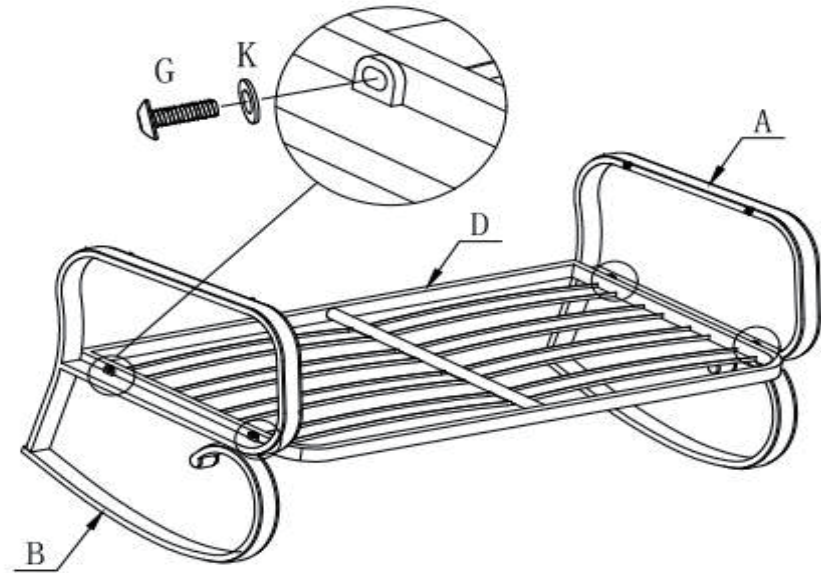
- Prior to assembly, ensure that you lay out and identify all the parts listed in the parts list.
- Tighten all nuts and bolts securely. Hand-tighten all bolts before use. Avoid using power tools or applying excessive force during assembly and bolt tightening.
- If you encounter any difficulties during assembly or if any part is missing or damaged, please don't hesitate to contact our customer service team via email at [info@kozyard.com](mailto:info@kozyard.com) or by calling our toll-free number at 866-355-0018.

## Part list

PART LIST	FIGURE	QUANTITY	DESCRIPTION
A		1PC	RIGHT ARM
B		1PC	LEFT ARM
C		1PC	BACK
D		1PC	SEAT
E		1PC	BASE
F		2PC	GLIDER
G		6+1PCS	SHORT BOLT ( M6*18 )
H		2+1PCS	MEDIUM BOLT ( M6*40 )
I		8+1PCS	LONG BOLT ( M6*30 )
J		8+1PCS	FLAT WASHER
K		16+1PCS	FLAT WASHER
L		1PC	ALLEN WRENCH
M		1PC	SEAT CUSHION
N		2PCS	BACK CUSHION

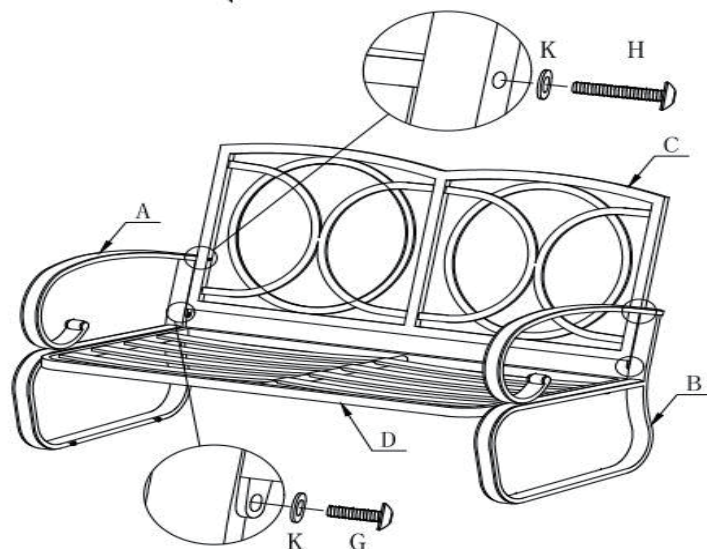
## Step 1:

1. Place the right arm (A) upside down on a flat, protected surface.
2. Attach seat (D) to the right arm (A) with a flat washer (K) and a short bolt (G) using an Allen wrench (L). Do not tighten completely.
3. Attach the left arm (B) to the seat (D) with a flat washer (K) and a short bolt (G) using an Allen wrench (L). Do not tighten completely.



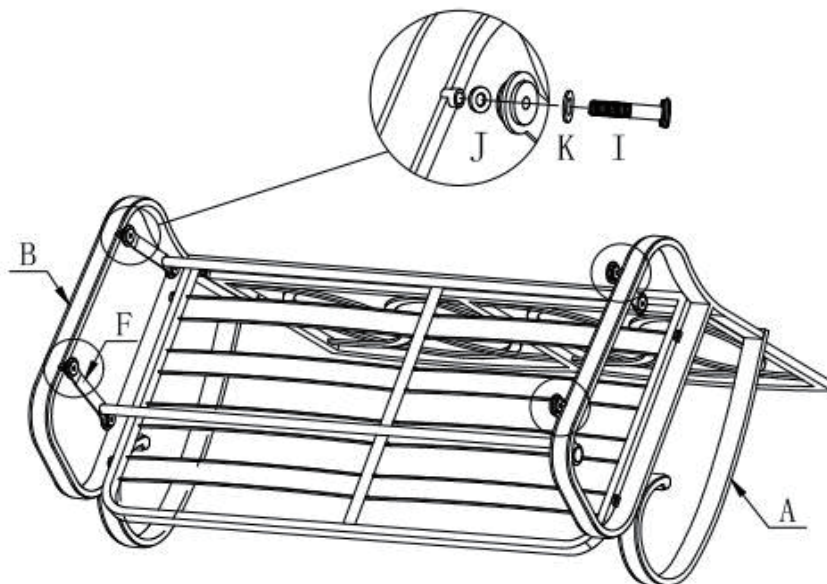
## Step 2:

1. Turn the seat assembly to an upright position.
2. Connect the back (C) to the right arm (A) and left arm (B) with a flat washer (K) and a medium bolt (H) using an Allen wrench (L). Do not tighten completely.
3. Connect the back (C) to the seat (D) with a flat washer (K) and a short bolt (G) using an Allen wrench (L). Do not tighten completely.



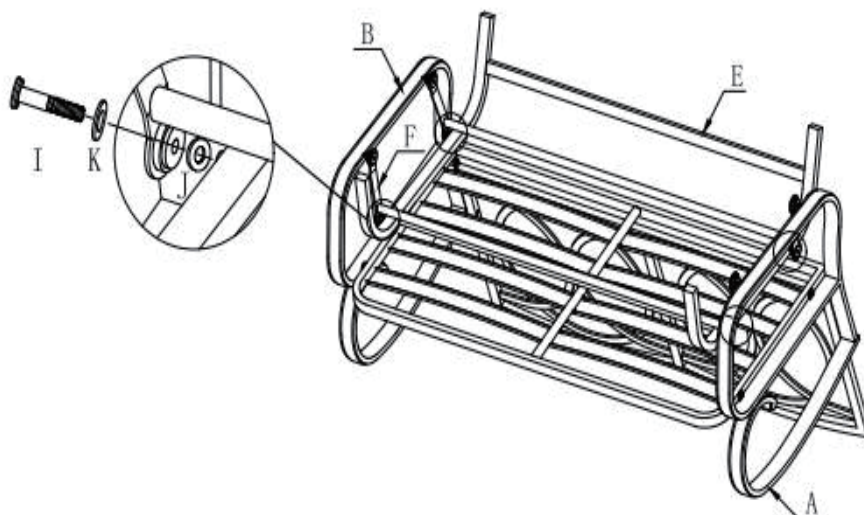
### Step 3:

1. Gently tip the chair forward to the floor.
2. Attach the long arm of the glider support glider (F) to the bottom of the right arm (A) with a flat washer (J), flat washer (K), and a long bolt (I) using a wrench (L). Do not tighten completely.
3. Repeat the process to attach the glider (F) to the left arm (B). Do not tighten completely.



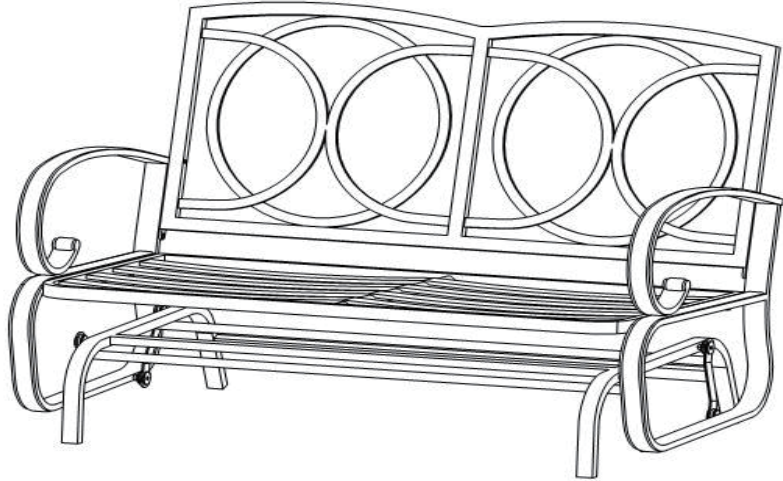
### Step 4:

1. Attach the base (E) to the short arm of the glider support on the glider (F) with flat washer (K), flat washer (J), and a long bolt (I) using an Allen wrench (L).



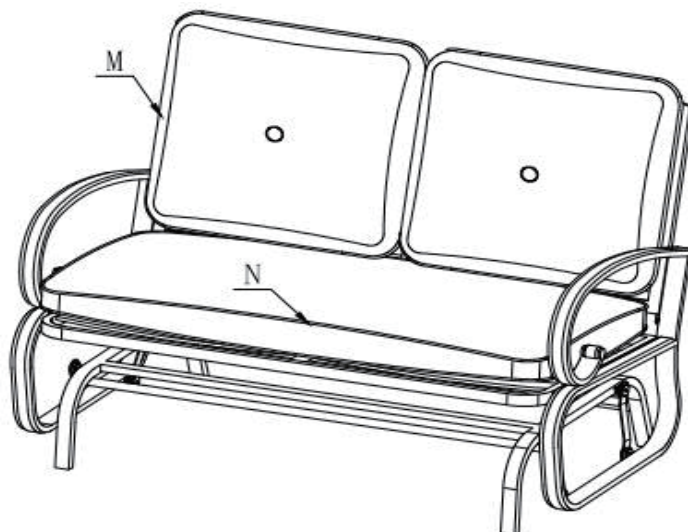
## Step 5:

1. Turn the glider to an upright position so that it stands squarely on the floor.
2. Tighten all bolts securely using an Allen wrench (L).
3. Retain the Allen wrench (L) for use to tighten bolts periodically or as needed.



## Step 6:

1. Place the seat cushion (N) with bandage ties on the seat, and then put on the back cushions.





Enjoy Cozy Life!

**SUPPORT:**

Toll free: 866-355-0018

[www.kozyard.com](http://www.kozyard.com)

email: [support@kozyard.com](mailto:support@kozyard.com)

**SOCIAL MEDIA:**



Follow us on Instagram

[www.instagram.com/kozyard](http://www.instagram.com/kozyard)

**KOZYARD LLC**