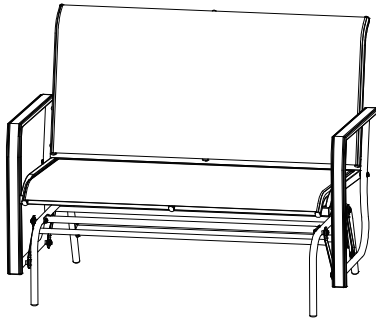




# GLIDER TEXTILENE LOVESEAT BENCH ASSEMBLY MANUAL



**KOZYARD LLC PRODUCTS**  
**WWW.KOZYARD.COM**

Copyright 2016 - 2023 Kozyard LLC. | All Rights Reserved.  
Version:20231006









## ***Assembly Instructions***








- Prior to assembly, ensure that you lay out and identify all the parts listed in the parts list.
- Tighten all nuts and bolts securely. Hand-tighten all bolts before use. Avoid using power tools or applying excessive force during assembly and bolt tightening.
- If you encounter any difficulties during assembly or if any part is missing or damaged, please don't hesitate to contact our customer service team via email at [info@kozyard.com](mailto:info@kozyard.com) or by calling our toll-free number at 866-355-0018.

## ***Care and warranty***

- The weight capacity of this chair is 250 lbs.
- Clean the frame components and fabric with a mild soap solution, then rinse thoroughly. Avoid using bleach, acid, or any other solvents on either the fabric or frame components.
- For a comprehensive warranty policy, please visit [www.kozyard.com](http://www.kozyard.com). Be aware that warranty terms can change without prior notification.
- For the best performance and safety of your chair, inspect and tighten all bolts and fasteners regularly

# Part list

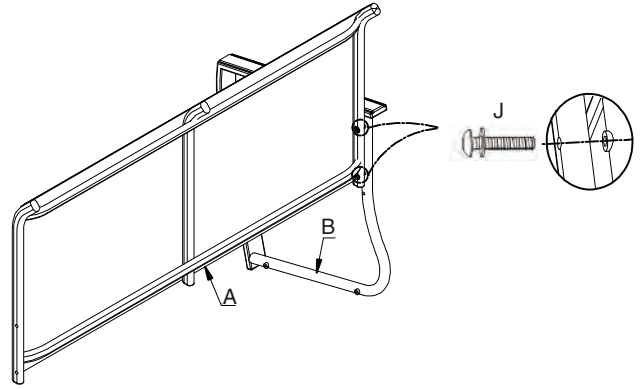
Part	Description	Qty
A	 Back	1
B	 Right Arm	1
C	 Left Arm	1
D	 Seat	1
E	 Glider	2
F	 Right Leg	1
G	 Left Leg	1
H	 Leg Connector	2

Part	Description	Qty
I	 M6*40 Bolt	2
J	 M6*30 Bolt	6
K	 M6*15 Bolt	8
L	 M6*18 Bolt	8
M	 Plastic washer	8
N	 Washer	8
O	 Allen Key	1

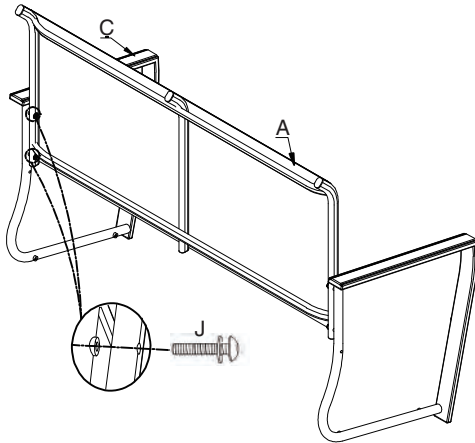


## LOVESEAT

1. Connect the right arm (Part B) to the back (Part A) using Bolt (J) as shown in the diagram.



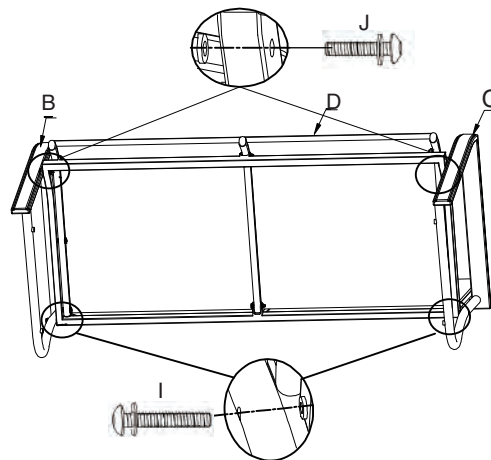
2. Connect the left arm (Part C) to the back (Part A) using Bolt (J) as indicated in the diagram.



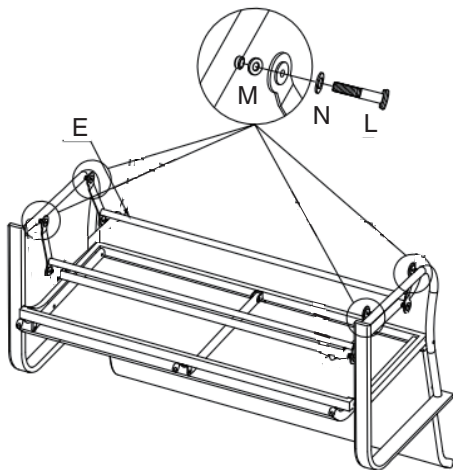


## LOVESEAT

3. Attach the seat (Part D) to the armrests (Part B and Part C) using Screw (J) and Screw (I) as depicted in the diagram.



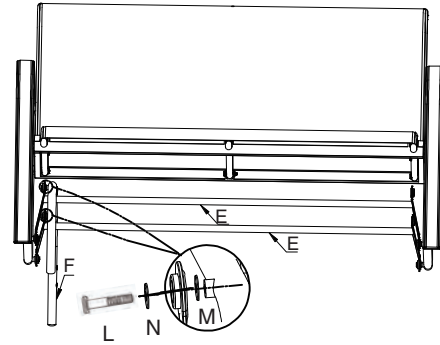
4. Connect the gliders (Part E) to the armrests (Part B and Part C) using Screw (L), washer (N), and Plastic washer (M) as indicated in the diagram.



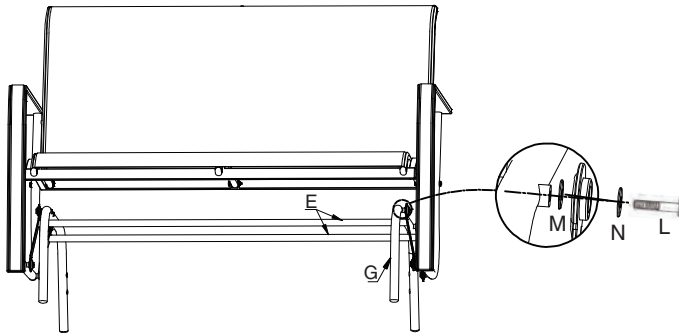


**LOVESEAT**

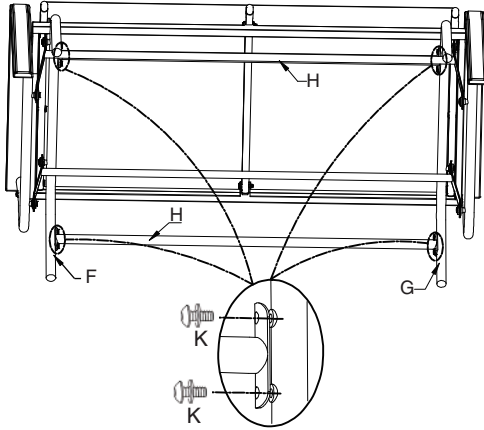
5. Connect the right leg (Part F) to the glider (Part E) using Screw (L), washer (N), and Plastic washer (M) as illustrated in the diagram.



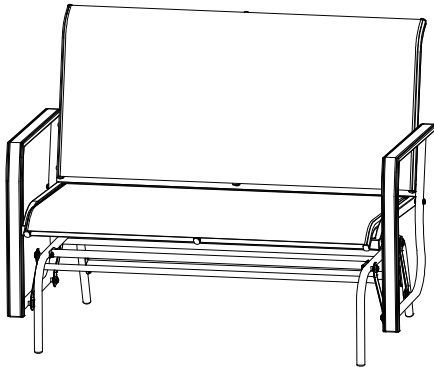
6. Connect the left leg (Part G) to the glider (Part E) using Screw (L), washer (N), and Plastic washer (M) as shown in the diagram.



7. Attach the leg connector (Part H) to the legs (Part F and Part G) using Screw (K) as indicated in the diagram.



8. Lastly, ensure that all screws are securely tightened before using the product on level ground.



Enjoy Cozy Life!

**SUPPORT:**

Toll free: 866-355-0018

[www.kozyard.com](http://www.kozyard.com)

email: [support@kozyard.com](mailto:support@kozyard.com)

**SOCIAL MEDIA:**



Follow us on Instagram

[www.instagram.com/kozyard](http://www.instagram.com/kozyard)

**KOZYARD LLC**