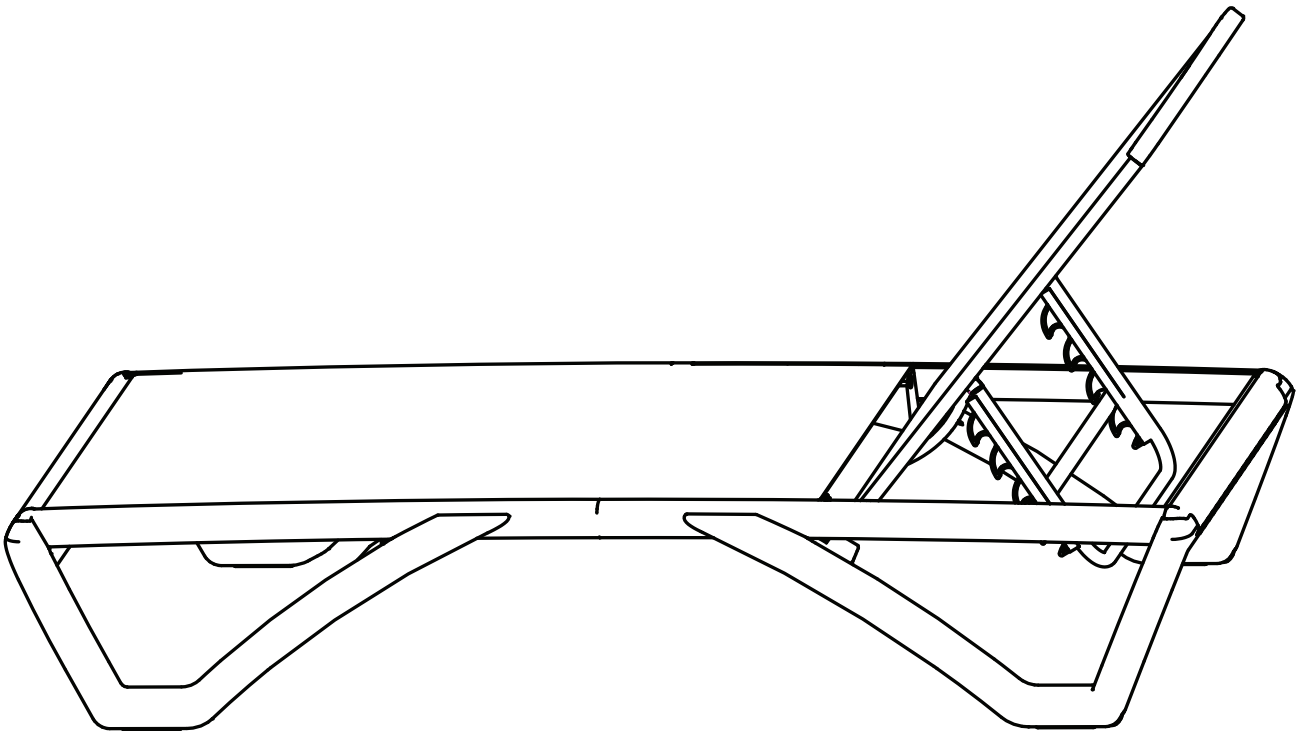




Enjoy Cozy Life!

OUTDOOR PATIO LOUNGE CHAIR

ASSEMBLY INSTRUCTIONS



KOZYARD LLC PRODUCTS

WWW.KOZYARD.COM

© Copyright 2016 - 2023 Kozyard LLC. | All Rights Reserved.
Version: 11022023

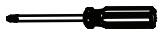
ASSEMBLY INSTRUCTIONS

- Prior to assembly, make sure to lay out and identify all of the parts listed below in the parts list.
- Tighten all nuts and bolts securely. All bolts should be hand tightened before use. Never use power tools or excessive force during assembly and tightening of bolts.
- Should you experience any difficulty during assembly, or if any of the parts are missing or damaged, contact our customer service by email: info@kozyard.com or call toll free: 866-355-0018.

TOOLS REQUIRED:



ALLEN WRENCH

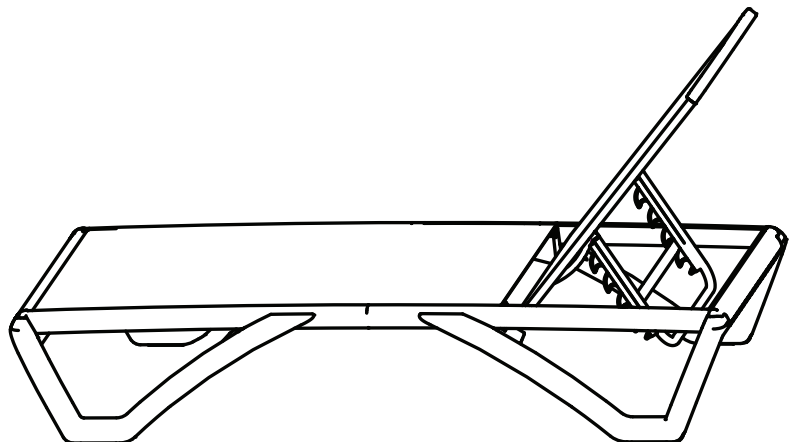


SCREWDRIVER

(PROVIDED)


Warning:

1. Do not exceed 380lbs weight limit.
2. Make sure the lounger is located on a solid level surface.



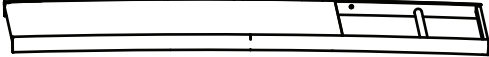
Part list

(A) Plastic bar



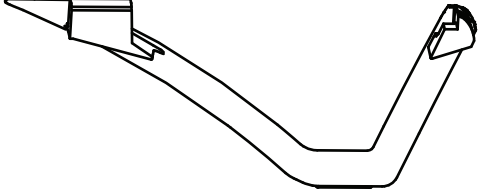
2X

(B) Main Seat Frame



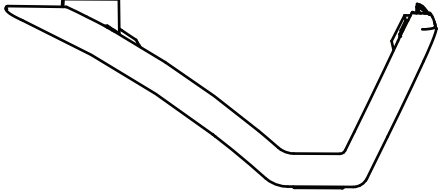
1X

(C) Leg



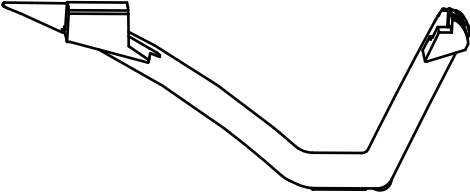
1X

(D) Leg



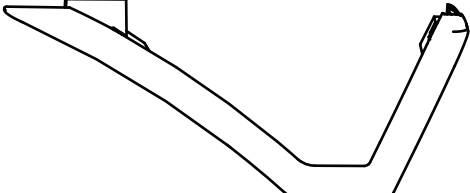
1X

(E) Leg



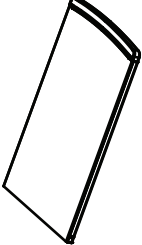
1X

(F) Leg



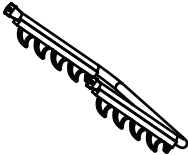
1X

(G) Back




1X

(H) Adjustment tube



1X


(J) Bolts



M6X30

14X


(K) Bolts



M6X45

2X


(L) Screws



ST4X15

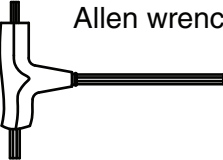
8X

(M) Plastic cylinder




2X

(N) Allen wrench



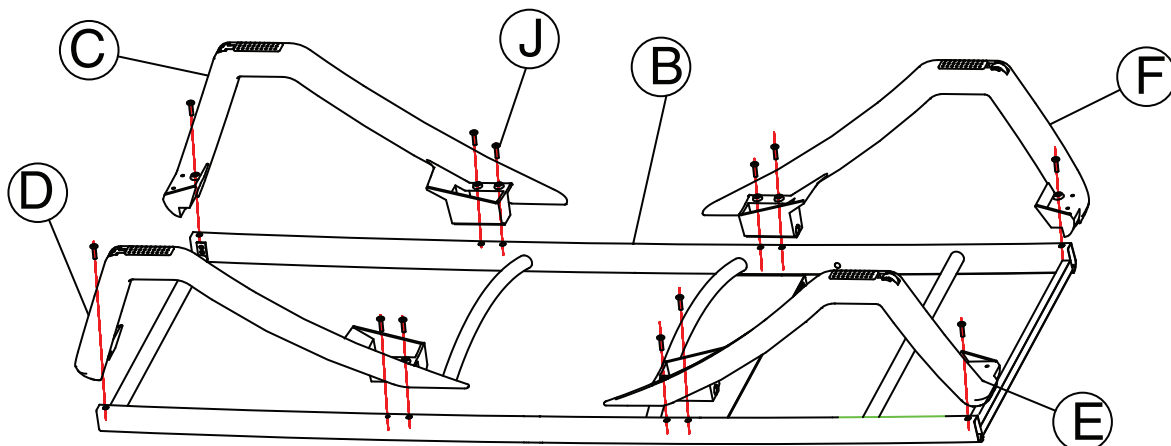
1X

(O) Screwdriver

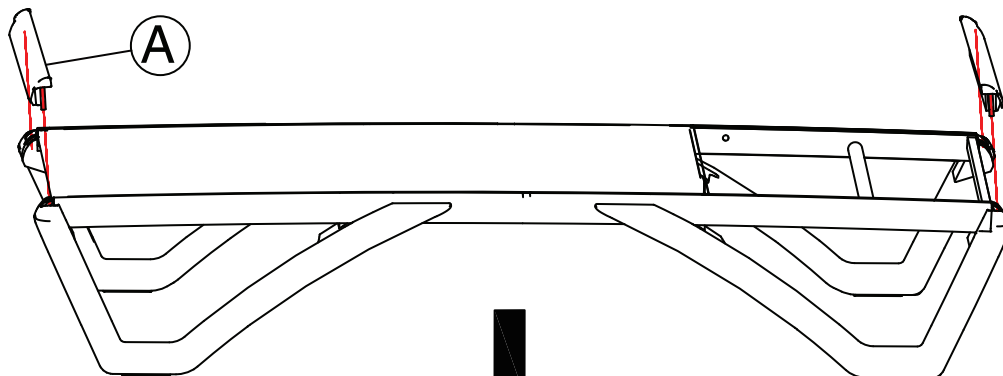


1X

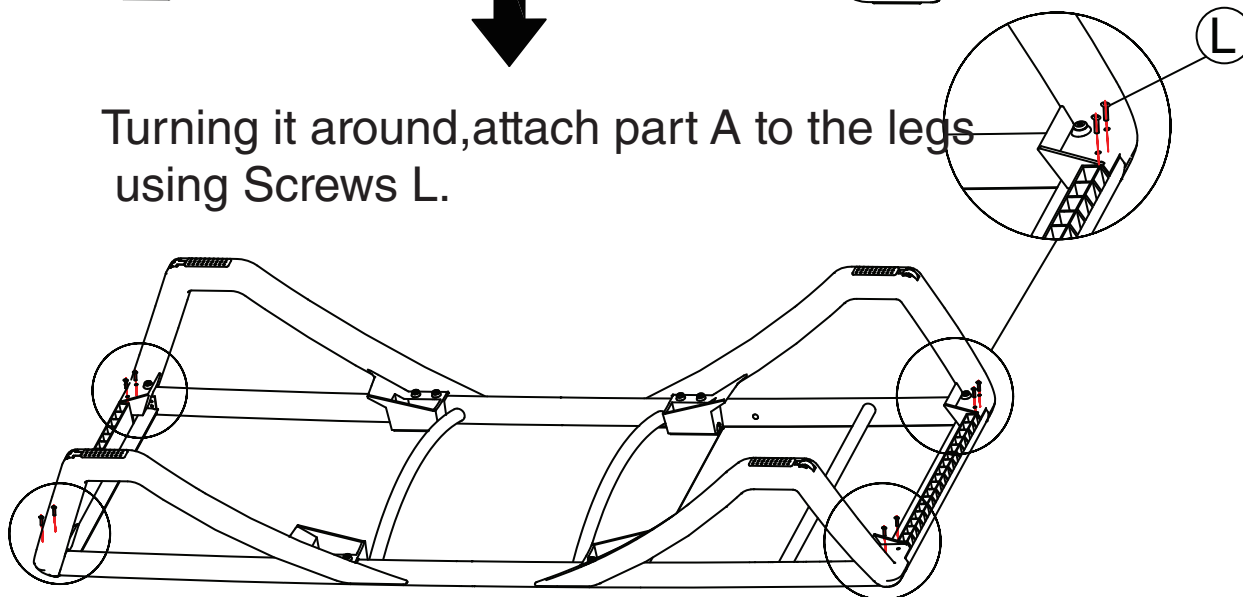
STEP -1 Fix 4 legs (Parts C, D, E, F) to Part B separately using Bolt J as shown in diagram.



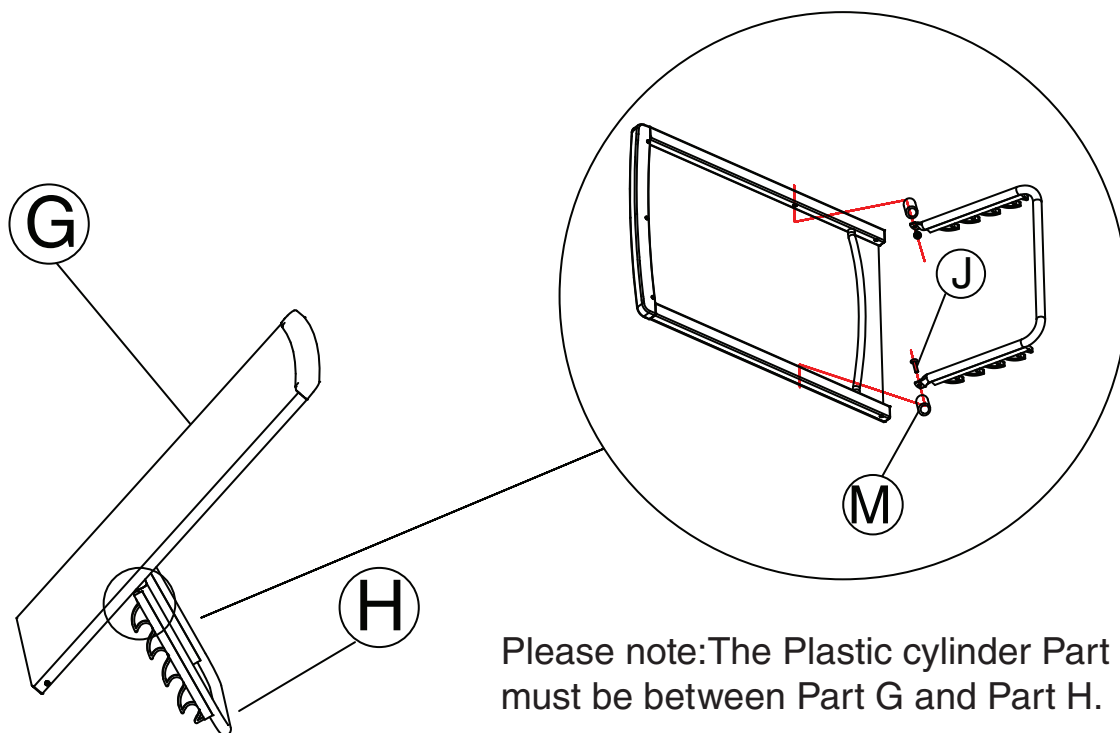
STEP -2 Install Part A to the legs as shown in diagram.



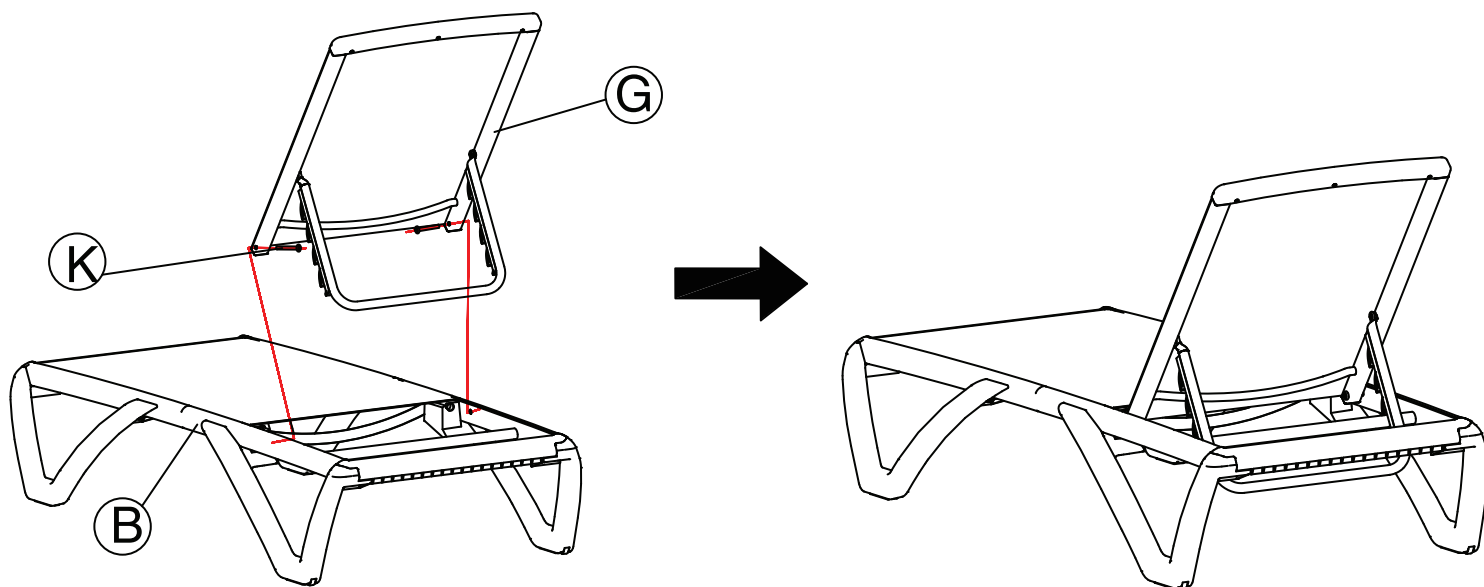
Turning it around, attach part A to the legs using Screws L.



STEP -3 Link Part H to Part G using Bolts J as shown in diagram.



STEP -4 Connect Part G to Part B using Bolts K as shown in diagram.



Check to make sure all screws are fixed tightly before use.



Enjoy Cozy Life!

SUPPORT:

Toll free: 1-866-355-0018

www.kozyard.com

email: support@kozyard.com

SOCIAL MEDIA:



Follow us on Instagram

www.instagram.com/kozyard