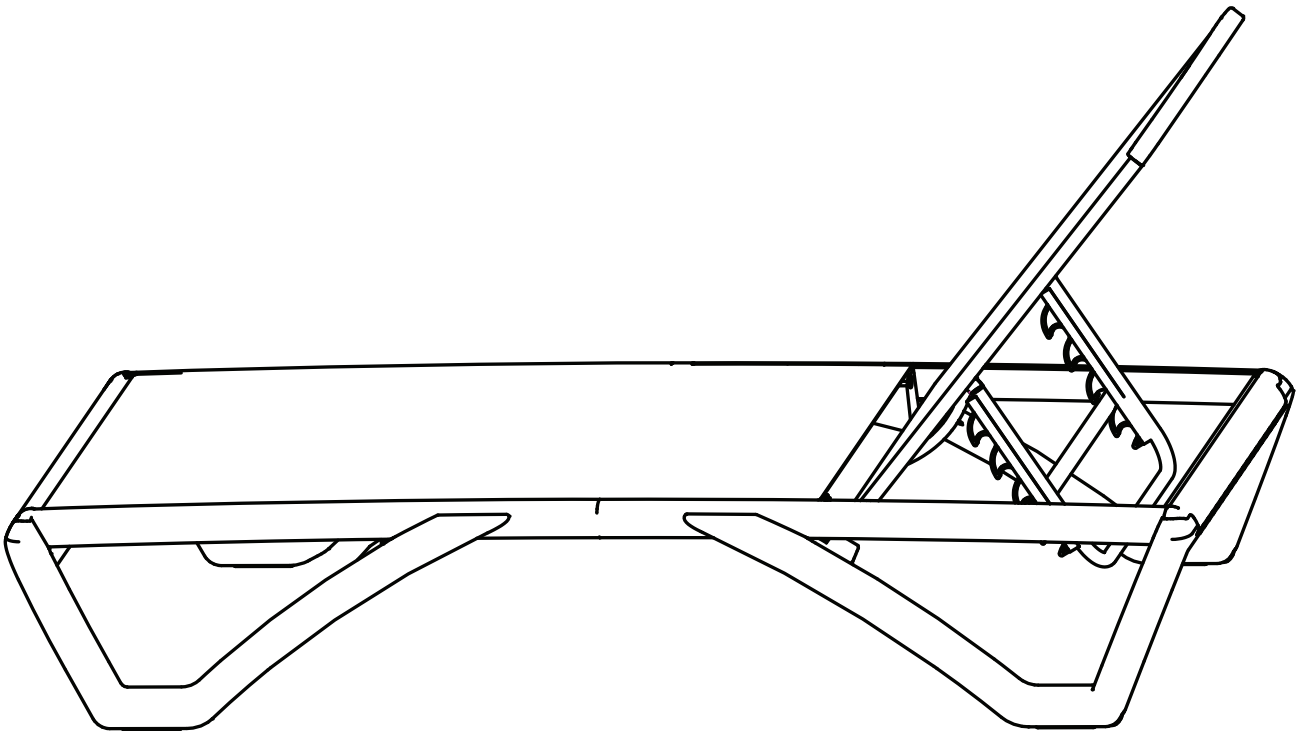




Enjoy Cozy Life!

OUTDOOR PATIO LOUNGE CHAIR

ASSEMBLY INSTRUCTIONS



KOZYARD LLC PRODUCTS

WWW.KOZYARD.COM

© Copyright 2016 - 2023 Kozyard LLC. | All Rights Reserved.
Version: 11022023

ASSEMBLY INSTRUCTIONS

- Prior to assembly, make sure to lay out and identify all of the parts listed below in the parts list.
- Tighten all nuts and bolts securely. All bolts should be hand tightened before use. Never use power tools or excessive force during assembly and tightening of bolts.
- Should you experience any difficulty during assembly, or if any of the parts are missing or damaged, contact our customer service by email: info@kozyard.com or call toll free: 866-355-0018.

TOOLS REQUIRED:



ALLEN WRENCH

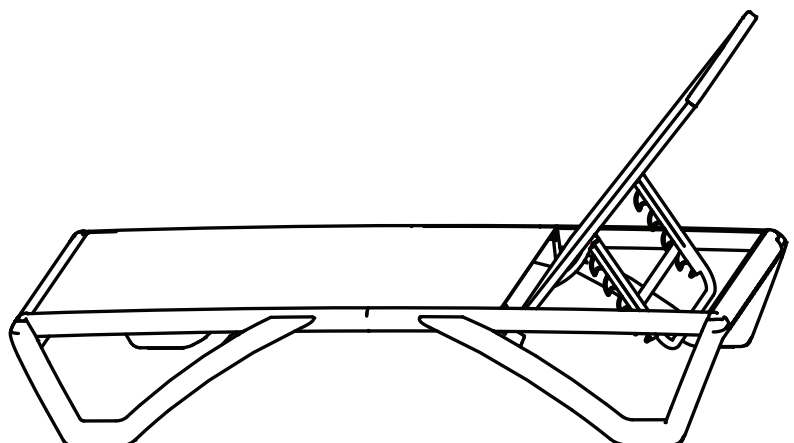


SCREWDRIVER

(PROVIDED)


Warning:

1. Do not exceed 380lbs weight limit.
2. Make sure the lounger is located on a solid level surface.



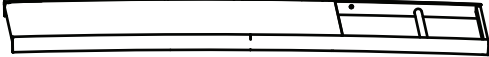
Part list

(A) Plastic bar



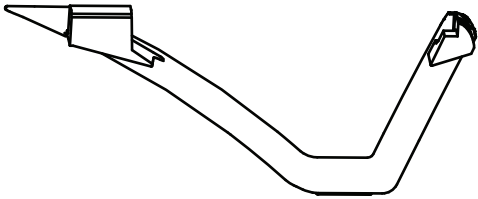
2X

(B) Main Seat Frame



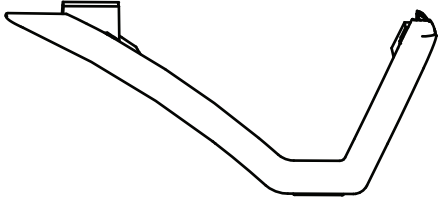
1X

(C) Leg



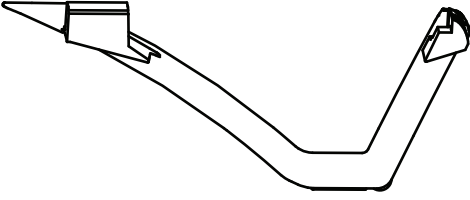
1X

(D) Leg



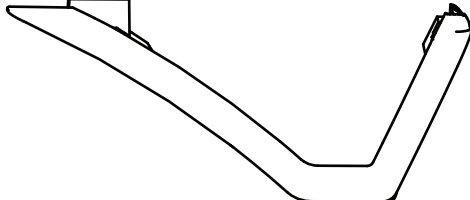
1X

(E) Leg



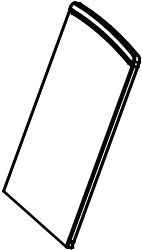
1X

(F) Leg



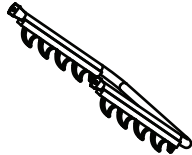
1X

(G) Back




1X

(H) Adjustment tube



1X


(J) Bolts



M6X30

14X


(K) Bolts



M6X45

2X


(L) Screws



ST4X15

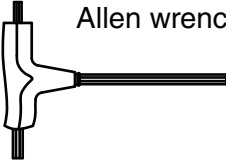
8X

(M) Plastic cylinder




2X

(N) Allen wrench



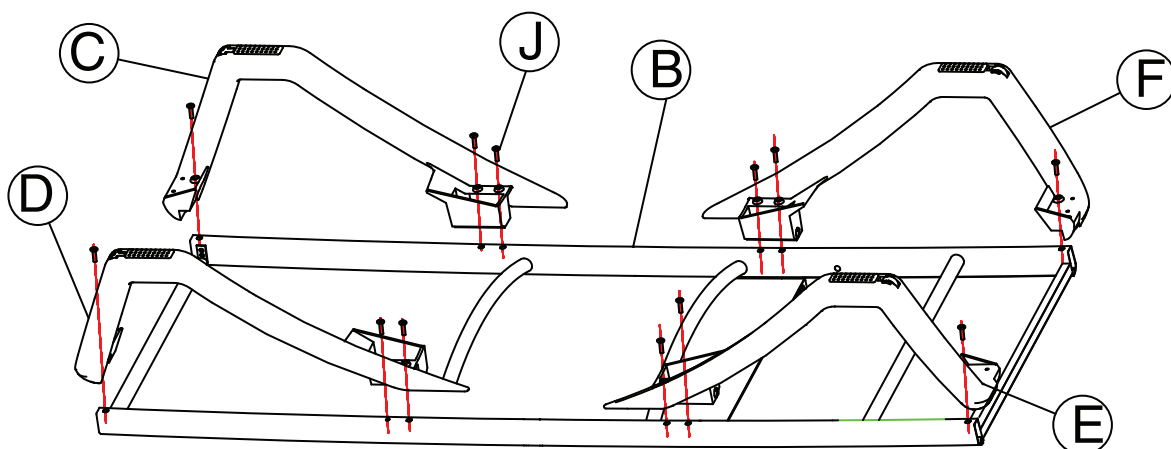
1X

(O)

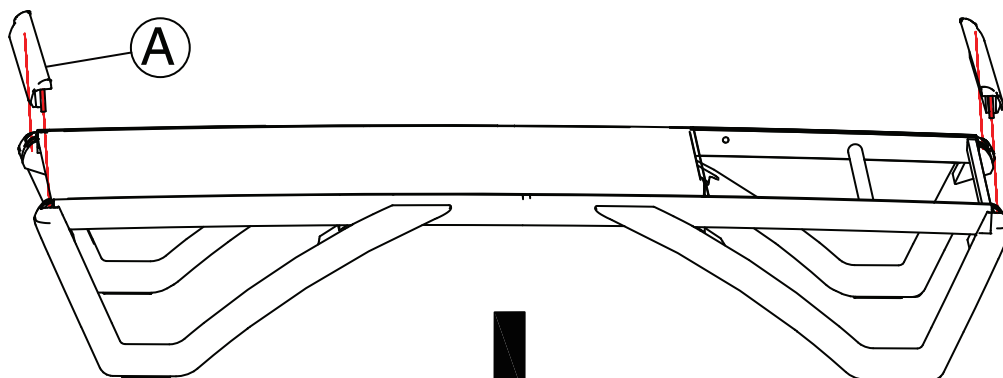


1X

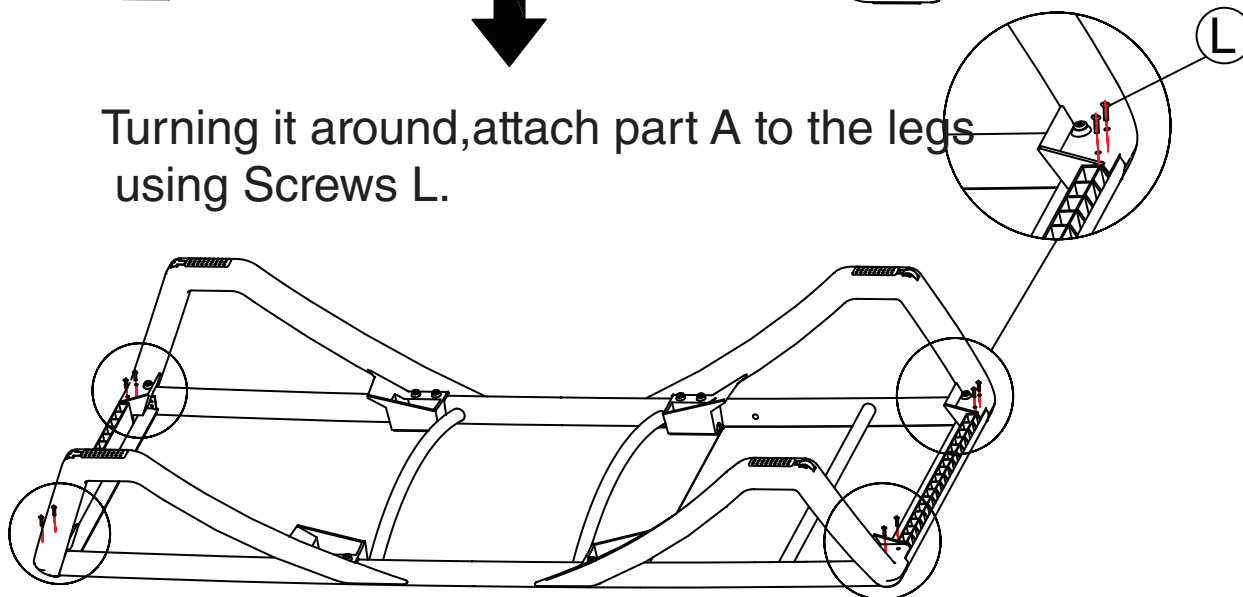
STEP -1 Fix 4 legs (Parts C, D, E, F) to Part B separately using Bolt J as shown in diagram.



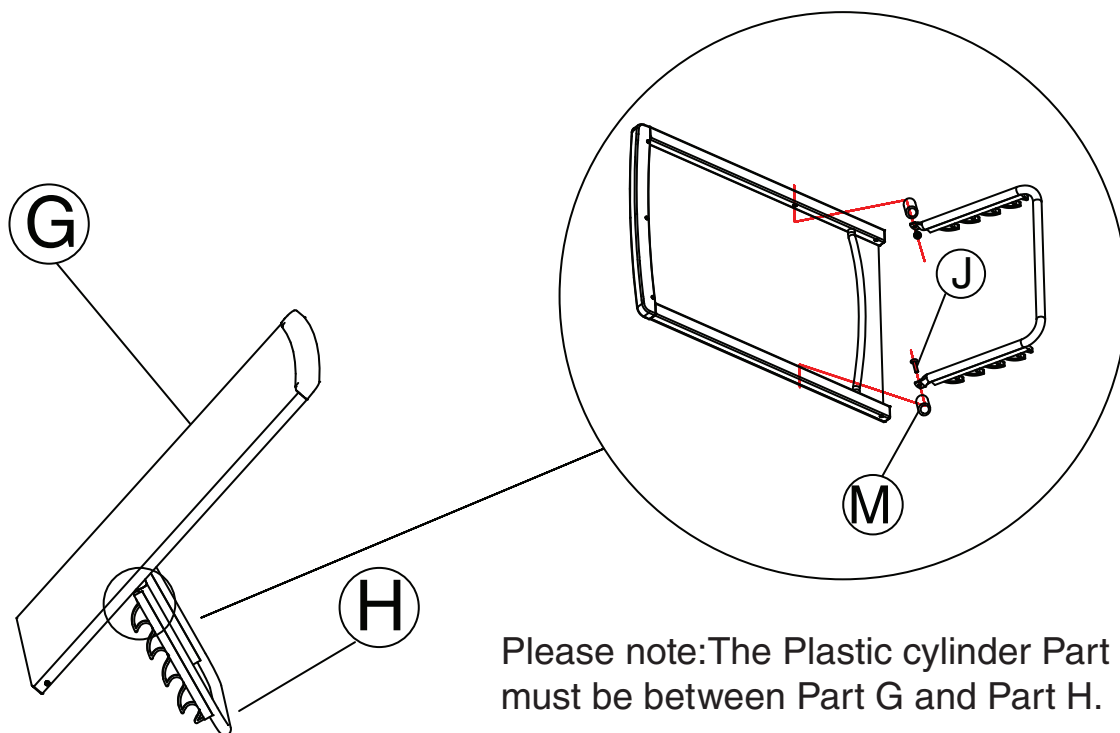
STEP -2 Install Part A to the legs as shown in diagram.



Turning it around, attach part A to the legs using Screws L.

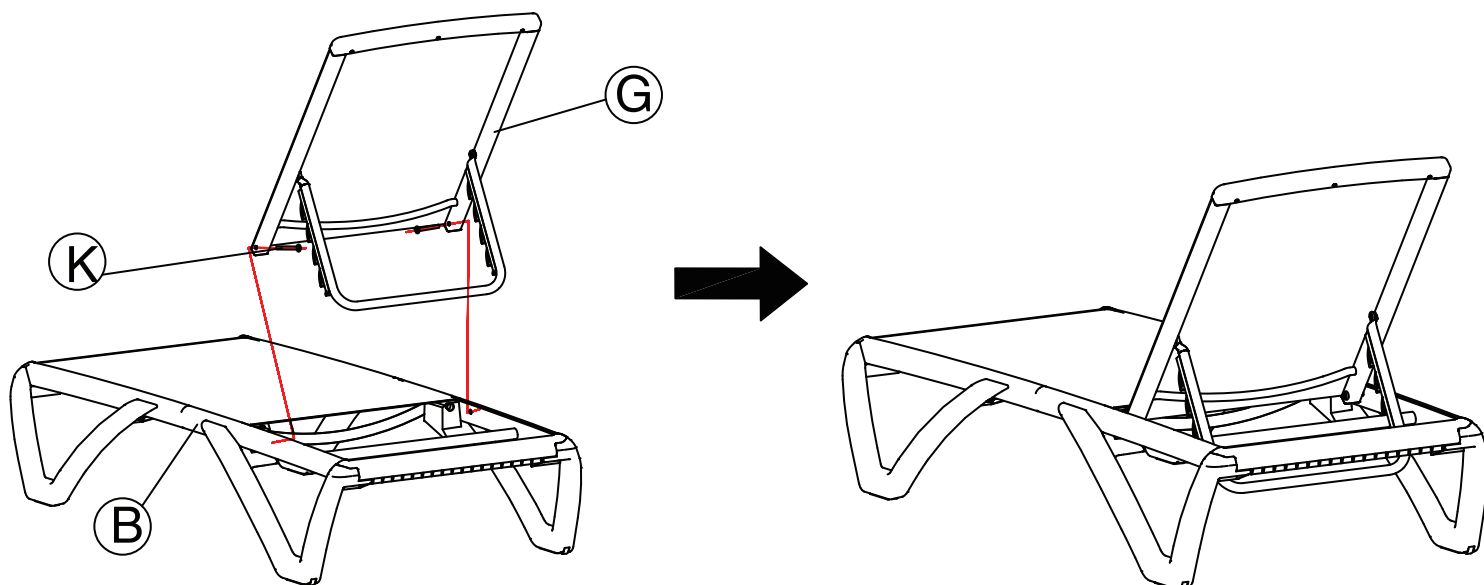


STEP -3 Link Part H to Part G using Bolts J as shown in diagram.



Please note: The Plastic cylinder Part M must be between Part G and Part H.

STEP -4 Connect Part G to Part B using Bolts K as shown in diagram.



Check to make sure all screws are fixed tightly before use.



Enjoy Cozy Life!

SUPPORT:

Toll free: 1-866-355-0018
www.kozyard.com
email: support@kozyard.com

SOCIAL MEDIA:



Follow us on Instagram
www.instagram.com/kozyard





OUTDOOR PATIO COFFEE TABLE

ASSEMBLY INSTRUCTIONS

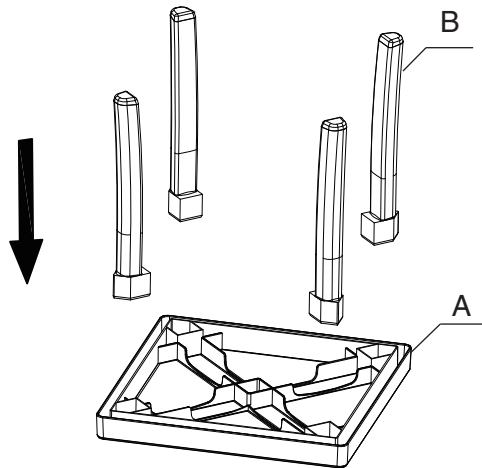
ASSEMBLY INSTRUCTIONS

- Prior to assembly, make sure you lay out and identify all the parts listed below in the parts list.
- Should you experience any difficulty during assembly or if any parts is missing or damaged:
Contact our customer service by email: info@kozyard.com or call toll free: 866-355-0018.

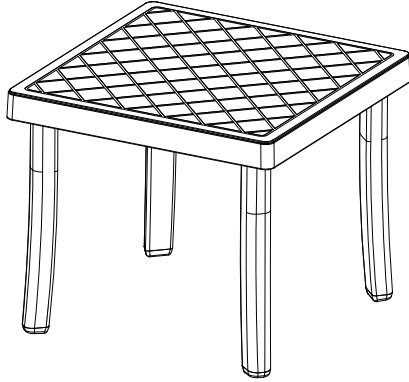
Part list

	A
Table Top	1pcs
	B
Leg	4pcs

1. Insert 4 legs (Part A) to the table top (Part B) separately as shown in diagram.



2. Set the chair straight.



SUPPORT:

Toll free: 1-866-355-0018
www.kozyard.com
email: support@kozyard.com

SOCIAL MEDIA:



Follow us on Instagram
www.instagram.com/kozyard