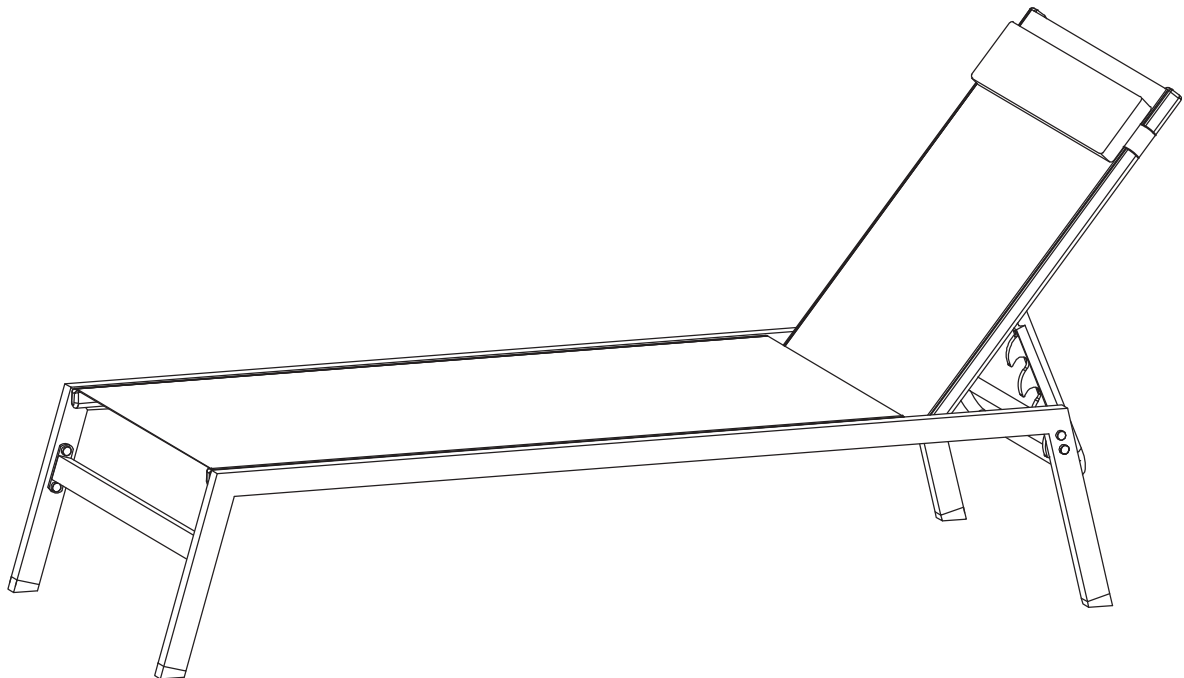




Enjoy Cozy Life!

# OUTDOOR PATIO STEEL LOUNGE CHAIR

## ASSEMBLY INSTRUCTIONS



**KOZYARD LLC PRODUCTS**  
**WWW.KOZYARD.COM**

© Copyright 2016 - 2023 Kozyard LLC. | All Rights Reserved.  
Version:20231006

## ***Assembly Instructions***

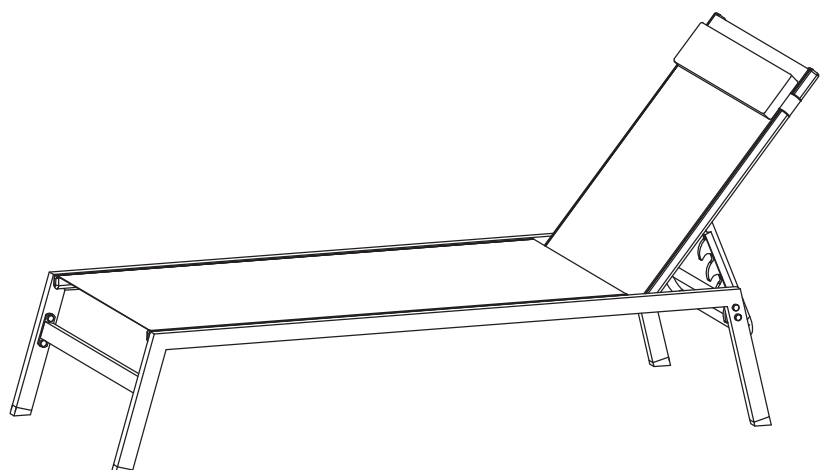
- Prior to assembly, ensure that you lay out and identify all the parts listed in the parts list.
- Tighten all nuts and bolts securely. Hand-tighten all bolts before use. Avoid using power tools or applying excessive force during assembly and bolt tightening.
- If you encounter any difficulties during assembly or if any part is missing or damaged, please don't hesitate to contact our customer service team via email at [info@kozyard.com](mailto:info@kozyard.com) or by calling our toll-free number at 866-355-0018.

## ***Care and warranty***

- The weight capacity of this lounge chair is 360 lbs.
- Clean the frame components and fabric with a mild soap solution, then rinse thoroughly. Avoid using bleach, acid, or any other solvents on either the fabric or frame components.
- For a comprehensive warranty policy, please visit [www.kozyard.com](http://www.kozyard.com). Be aware that warranty terms can change without prior notification.

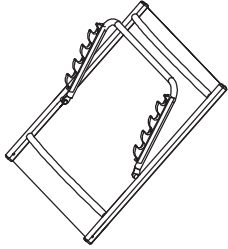
## ***Warning:***

1. Do not exceed 360lbs weight limit.
2. Make sure the lounger is located on a solid level surface.



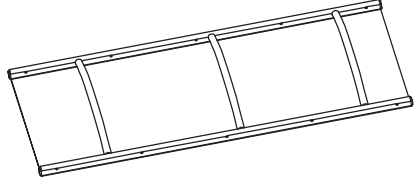
# Part list

**(A)** Back



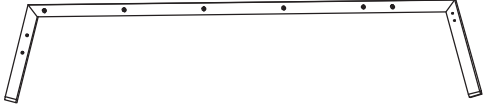
2X

**(B)** Main Seat Frame



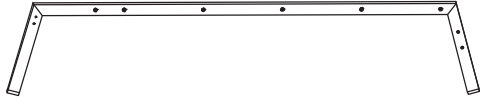
2X

**(C)** Left Leg




2X

**(D)** Right Leg



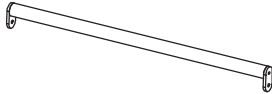
2X

**(E)** Support Bar



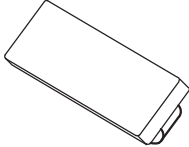
2X

**(F)** Support Column




2X

**(M)** Head Cushion



2X


**(G)** Bolts



M6X30

4X+1X

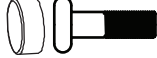
**(H)** Bolts



M6X30

4X+1X


**(I)** Bolts



M6X16

8X+2X


**(J)** Bolts



M6X35


24X+4X

**(K)** Plastic Cylinder



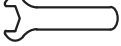
4X+1X

**(L)** Allen Wrench



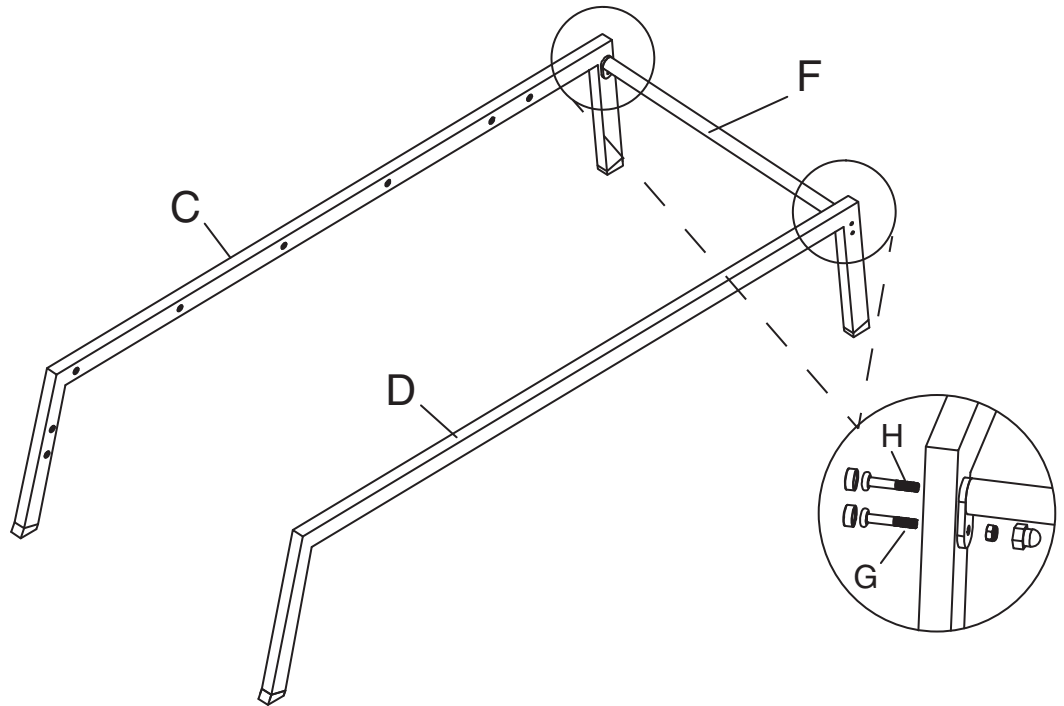
1X

Screwdriver

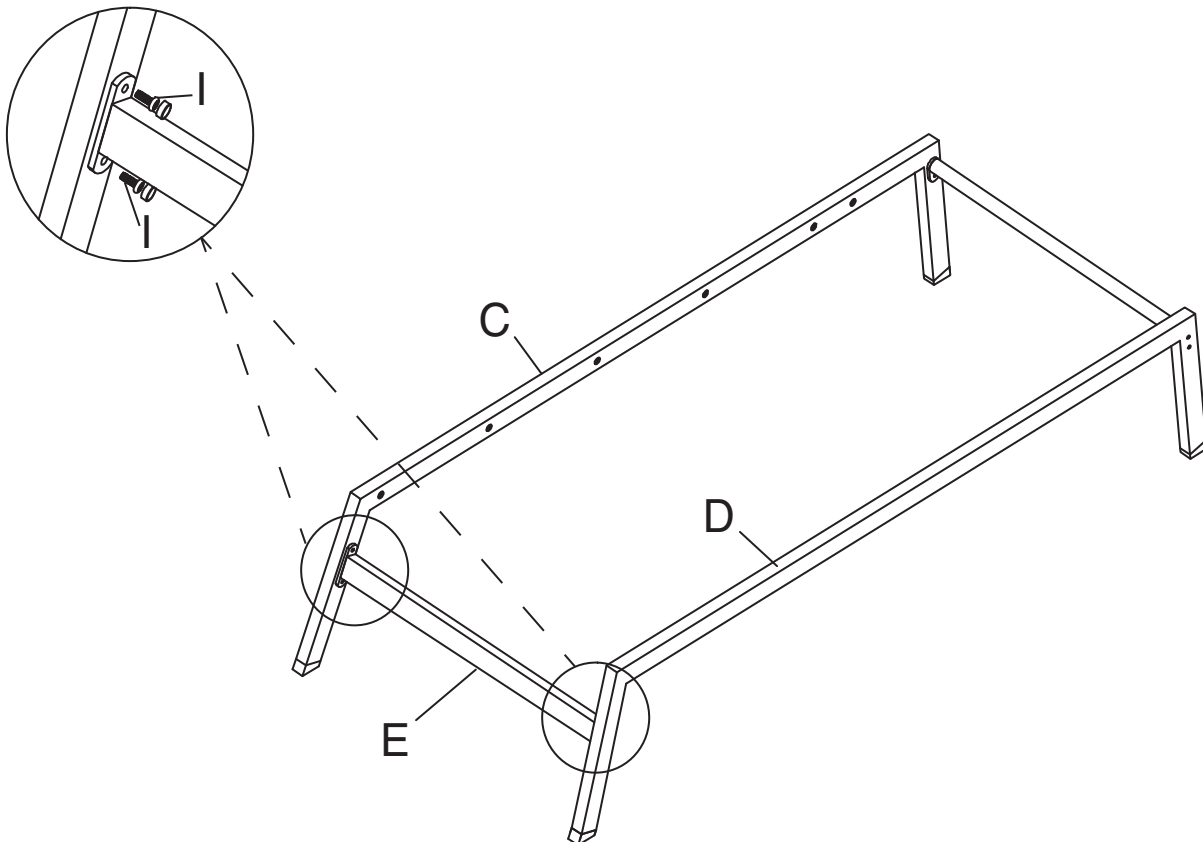


1X

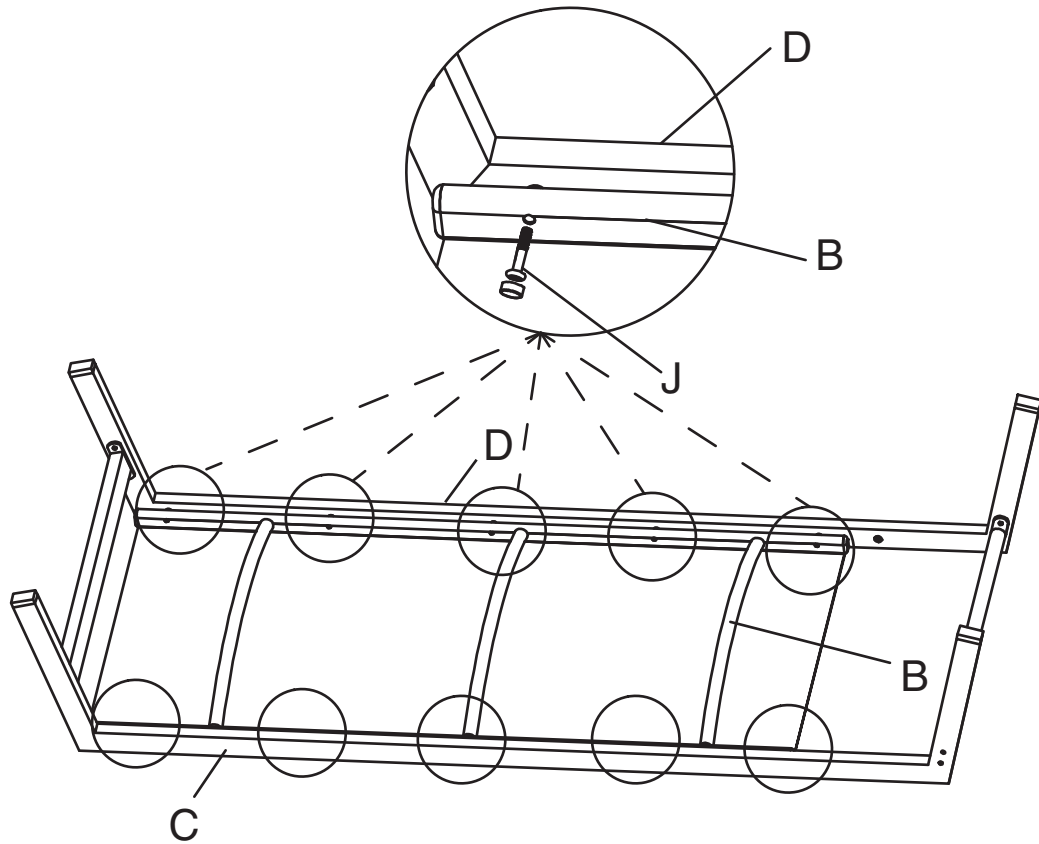
**Step 1:** Attach the 2 Legs (Parts C and D) to the Support Column (Part F) using Bolt (H) and Bolt (G) as depicted in the diagram.



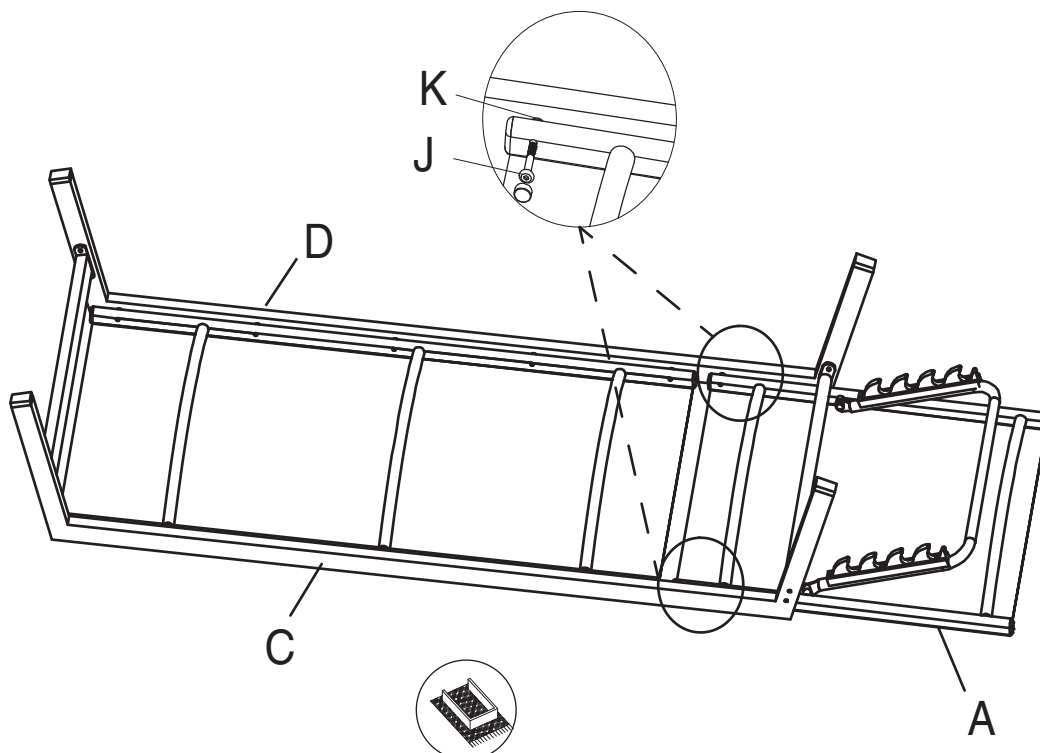
**Step 2:** Assemble the 2 Legs (Parts C and D) using the Support Bar (Part E) and Bolt (I) as indicated in the diagram.



**Step 3:** Attach the Main Seat Frame (Part B) to Legs (Part C and Part D) using Bolt (J) as shown in the diagram.

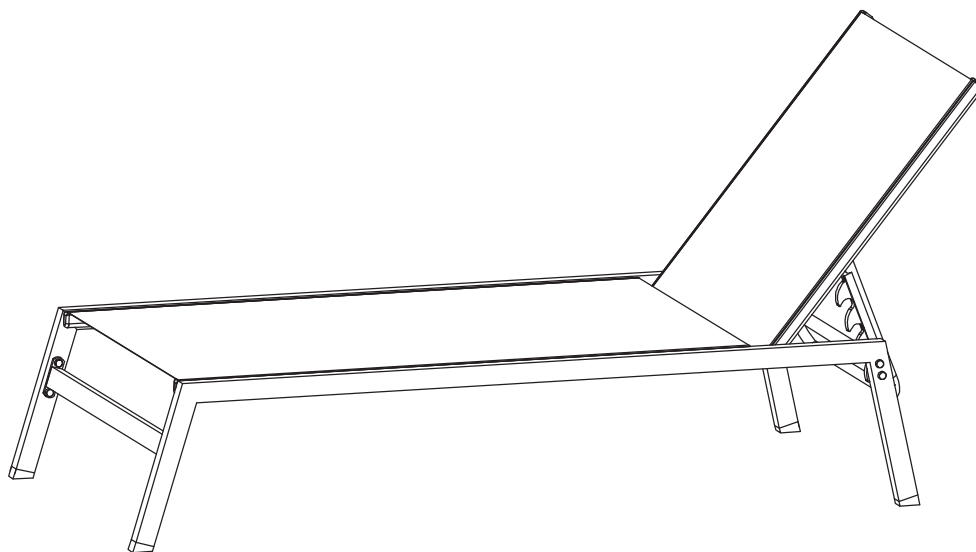


**Step 4:** Connect the Back (Part A) to Legs (Part C and Part D) using Bolt (J) as depicted in the diagram

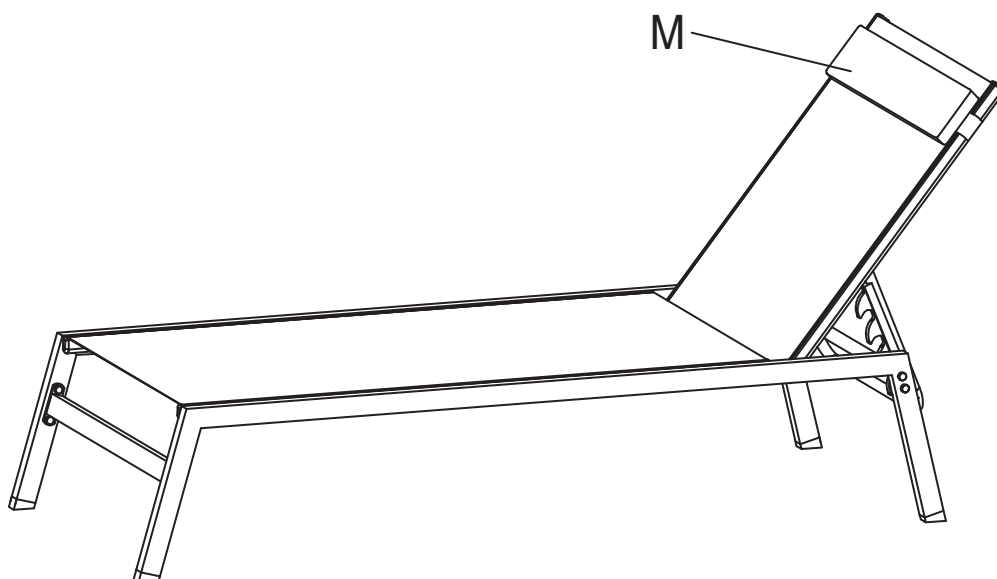


Reminder: All parts must be put on the carpet or rug in the assembly.

**Step 5:** Please ensure that all screws are securely tightened before use.



**Step 6:** Place the Head Cushion (Part M) onto the Back as indicated in the diagram.





Enjoy Cozy Life!

**SUPPORT:**

Toll free: 1-866-355-0018

[www.kozyard.com](http://www.kozyard.com)

email: [support@kozyard.com](mailto:support@kozyard.com)

**SOCIAL MEDIA:**



Follow us on Instagram

[www.instagram.com/kozyard](http://www.instagram.com/kozyard)

**KOZYARD LLC**