



OUTDOOR PATIO CHAISE LOUNGE

Assembly Instructions (1/3)



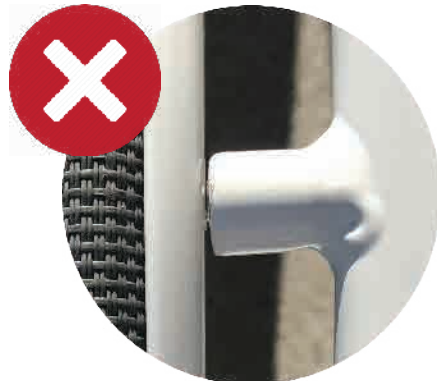
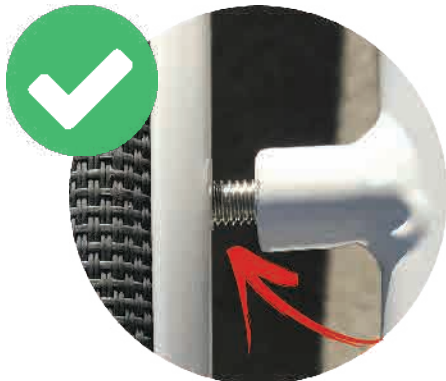
Before you get started, check following items in the box.



A		1	E		2	I		24
B		1	F		8	J		2
C		1	G		12	K		2
D		1	H		8			



Please keep at least 1/4" to 1/2" gap when you screw in the bolt , this is VERY IMPORTANT. After set up, then fully tighten the bolts and screws.



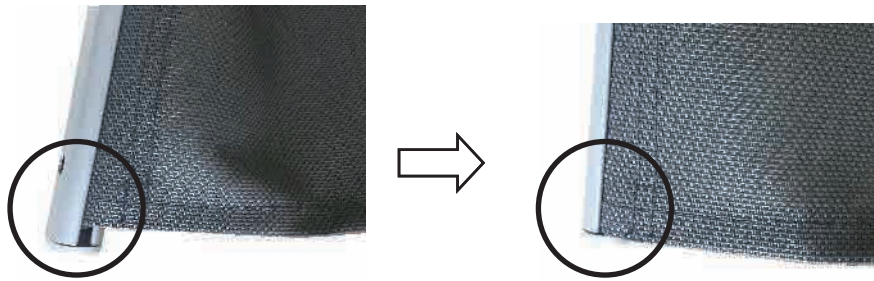


OUTDOOR PATIO CHAISE LOUNGE

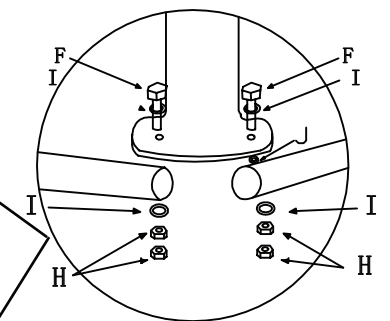
Assembly Instructions (2/3)



Step 1: Make sure you put the textile to the end of track.



Step 2: Set up textile panel A with holding frame B and C

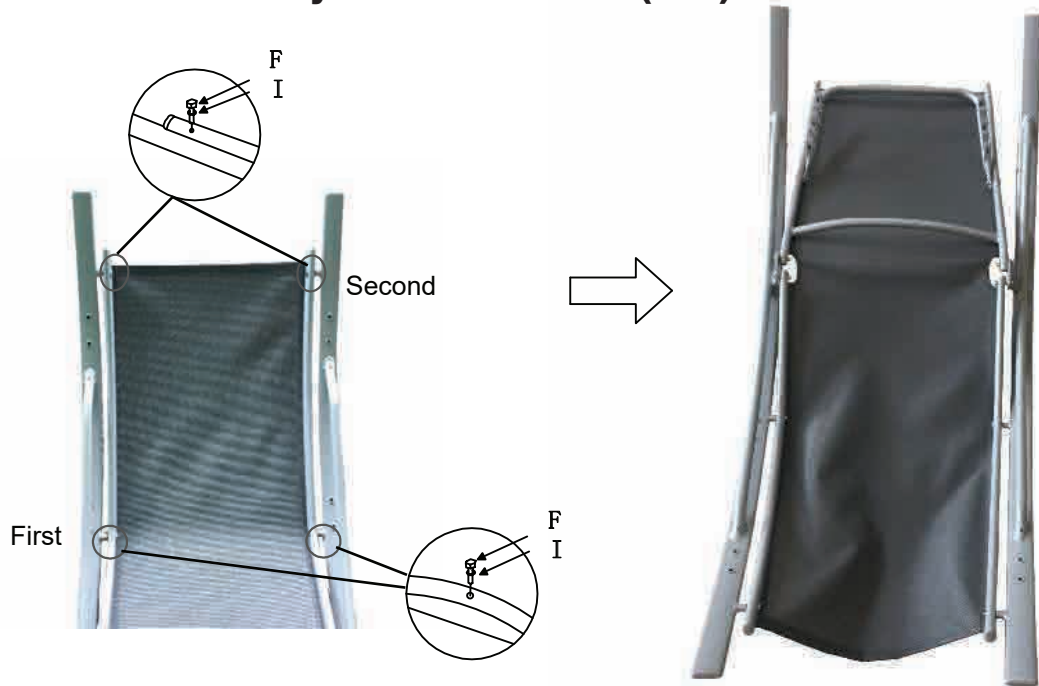


You only need one J in each side, J is designed for easy adjusting the upper panel.

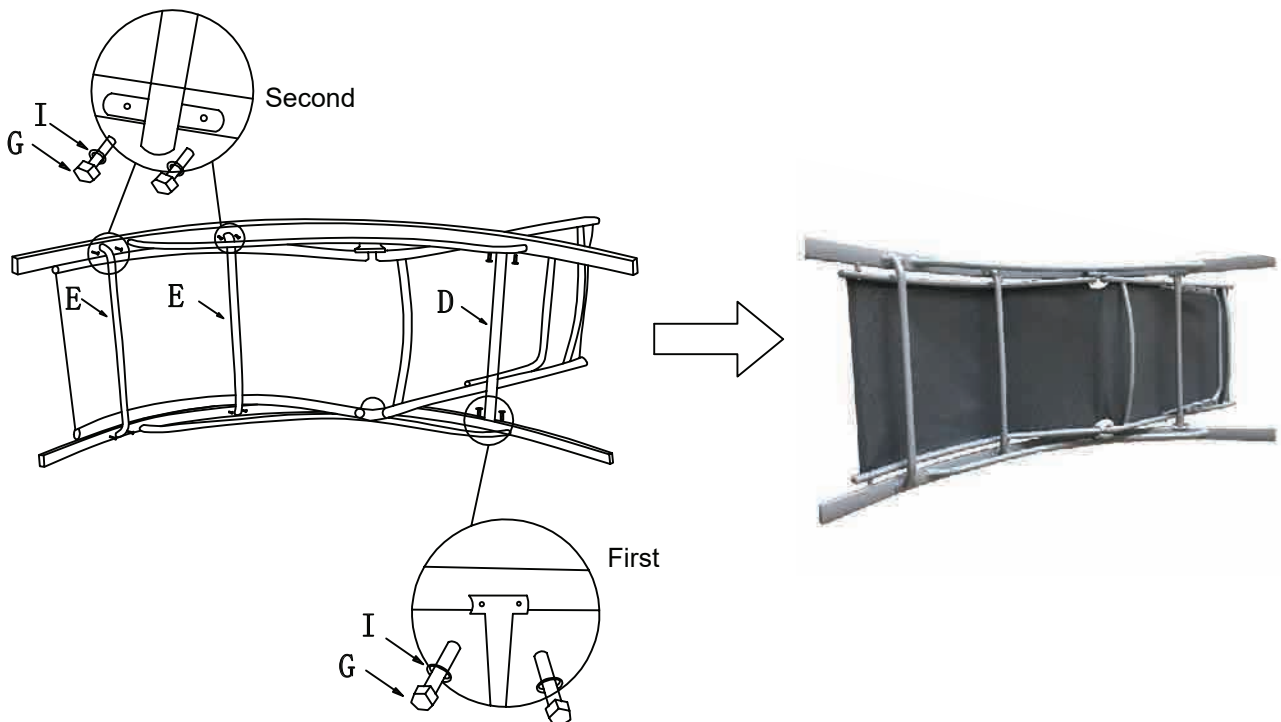


OUTDOOR PATIO CHAISE LOUNGE

Assembly Instructions (3/3)



Step 3: Connect binding D, E to holding frame B, C with bolt G.





OUTDOOR PATIO CHAISE LOUNGE



Step 4: Tighten up all of the screws.



Attentions

- 1 Don't allow textile fabric to come into direct contact with a heat source (candle, electric device, heater, etc.).
- 2 For stability and to avoid cross threading screws, assemble all parts manually and start by tightening all screws by hand. Once all parts have been assembled, you can tighten the screws more securely.
- 3 Your furniture is made from aluminum, which guarantees it a long life. However, you should still take winter precautions with your outdoor furniture by storing it away or covering it.
- 4 Don't change the backrest position when somebody is using the product.
- 5 Don't allow children to play with the product or change the position of the product.
- 6 Maximum seat weight: 120kg/265lbs.



Risky of Injury



For domestic use



Maximum weight: 265 lbs