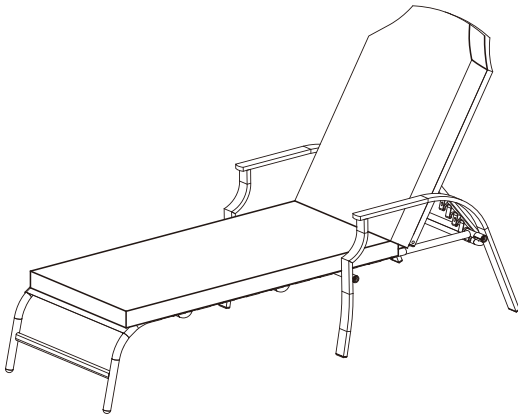




## MAYA/SWENSON DELUXE LOUNGE CHAISE

### ASSEMBLY MANUAL



**KOZYARD LLC PRODUCTS**  
**WWW.KOZYARD.COM**

© Copyright 2016 - 2023 Kozyard LLC. | All Rights Reserved.  
Version:20231006

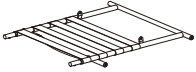
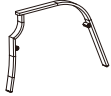
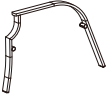






### ***Assembly Instructions***





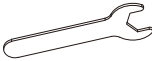


- Prior to assembly, ensure that you lay out and identify all the parts listed in the parts list.
- Tighten all nuts and bolts securely. Hand-tighten all bolts before use. Avoid using power tools or applying excessive force during assembly and bolt tightening.
- If you encounter any difficulties during assembly or if any part is missing or damaged, please don't hesitate to contact our customer service team via email at [info@kozyard.com](mailto:info@kozyard.com) or by calling our toll-free number at 866-355-0018.

### ***Care and warranty***

- The weight capacity of this chair is 250 lbs.
- Clean the frame components and fabric with a mild soap solution, then rinse thoroughly. Avoid using bleach, acid, or any other solvents on either the fabric or frame components.
- For a comprehensive warranty policy, please visit [www.kozyard.com](http://www.kozyard.com). Be aware that warranty terms can change without prior notification.
- For the best performance and safety of your chair, inspect and tighten all bolts and fasteners regularly

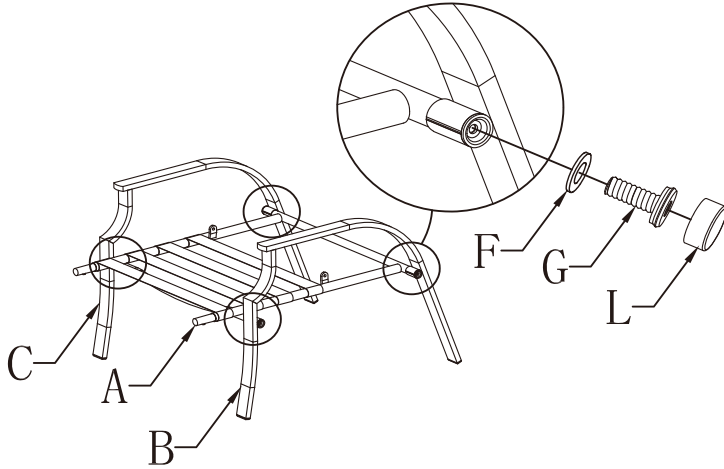
**Part list**

|   |  |   |
|---|--|---|
| A |            | 1 |
| B |           | 1 |
| C |           | 1 |
| D |           | 1 |
| E |           | 1 |
| F |           | 6 |
| G | <br>M6*20 | 4 |
| H | <br>M6*40 | 2 |
| I |          | 2 |

|   |   |   |
|---|---|---|
| J |    | 2 |
| K |  | 2 |
| L |  | 6 |
| M |  | 1 |
| N |  | 1 |
| O |  | 1 |
| P |  | 1 |

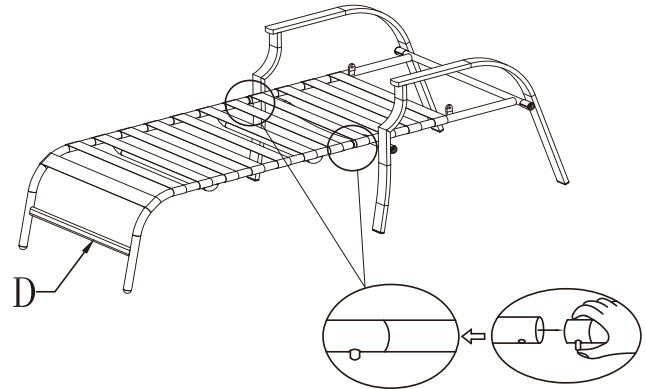
## Step 1:

Attach Part A/B/C using bolt G, washer F, cap L as shown in the diagram.



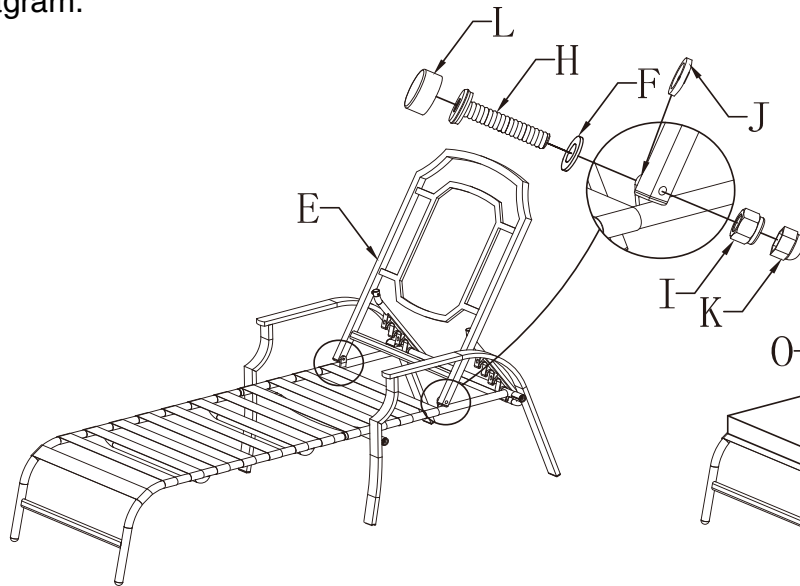
## Step 2:

Connect Part D to Part A by inserting male tube to female tube.



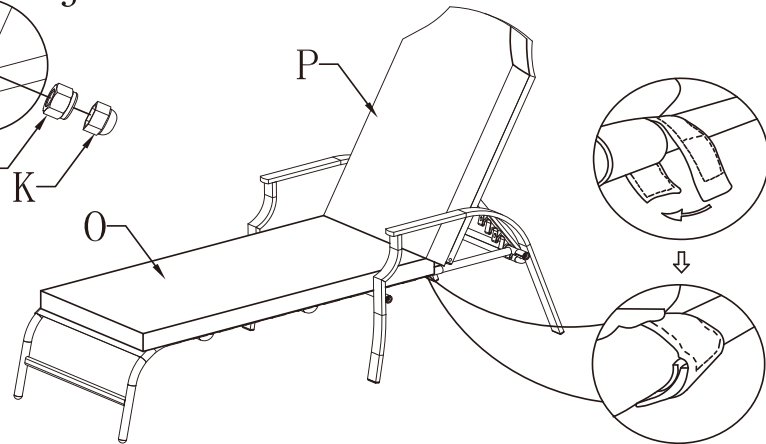
### Step 3:

Attach Part E to Part A using bolt H, washer F/J, nut I/K as depicted in the diagram.



### Step 4:

Place Cushion P/O on the frame.





Enjoy Cozy Life!

**SUPPORT:**

Toll free : 866-355-0018

[www.kozyard.com](http://www.kozyard.com)

email: [support@kozyard.com](mailto:support@kozyard.com)

**SOCIAL MEDIA:**



Follow us on Instagram

[www.instagram.com/kozyard](http://www.instagram.com/kozyard)

**KOZYARD LLC**