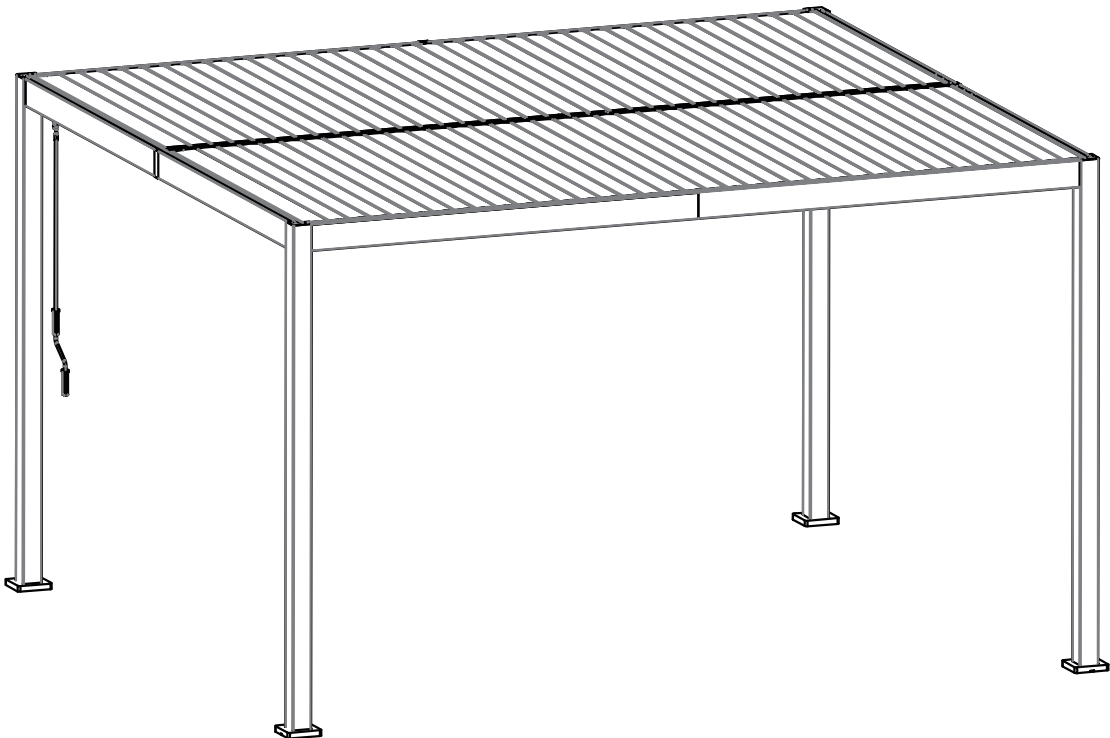




Enjoy Cozy Life!

# 12'x14' LOUVER PERGOLA ASSEMBLY MANUAL



**KOZYARD LLC PRODUCTS**

**[WWW.KOZYARD.COM](http://WWW.KOZYARD.COM)**

# Warnings and Cautions

- Please read and follow this assembly and operation guide to reduce the risk of personal injury and damage to your gazebo.
- Do not discard any of the packaging until you have checked that you have all the parts in place. The maximum weight capacity of this gazebo roof is 1700 pounds.
- Please open the louver top, refraining from any damage in storm, snow, or bad weather.
- Some parts may have sharp edges or corners. To ensure your safety, follow basic safety precautions to reduce the risk of injury. Please note that this item contains small parts which could be swallowed by children. Keep it out of reach of children under 3 years old and pets during installation.



Two or more people are required for aseembly and disassembly.



Do not fully tighten screw prior to complete assembly.

## Pre-assembly

Tools that may be required.(Not included in boxes)

Note: Tools are not shown to actual size and scale.



Level



Phillips Screw



Drill



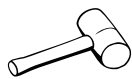
Allen Key



Allen Key



Safety Hat



Rubber Mallet



Gloves

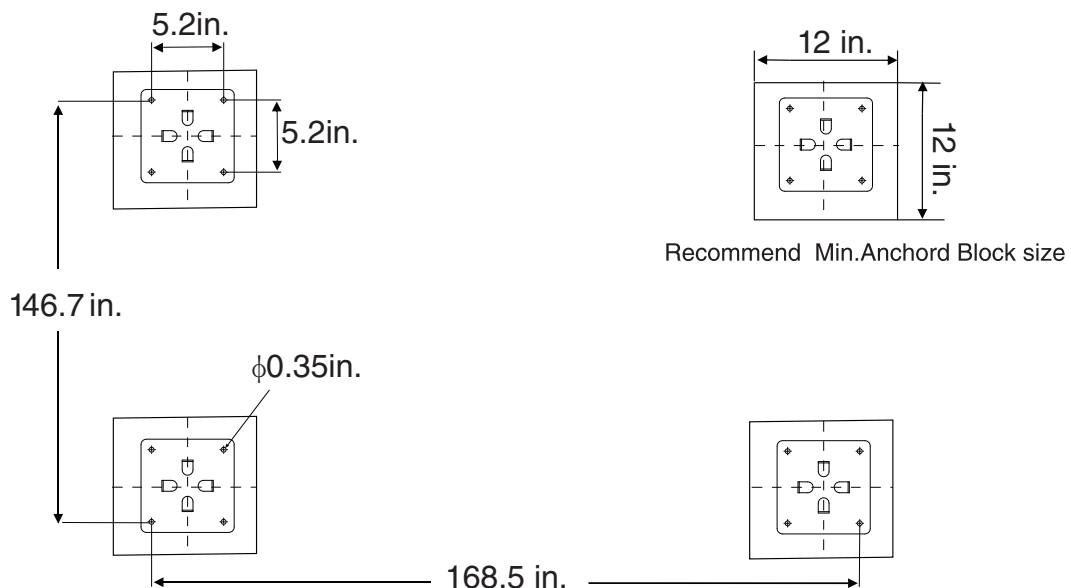


Stepladder



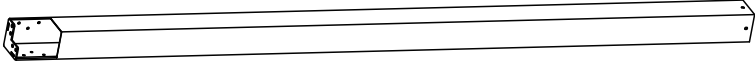

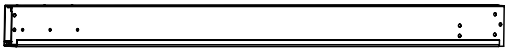
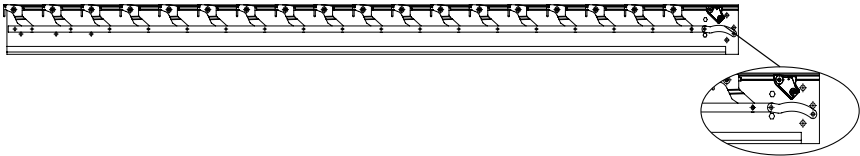



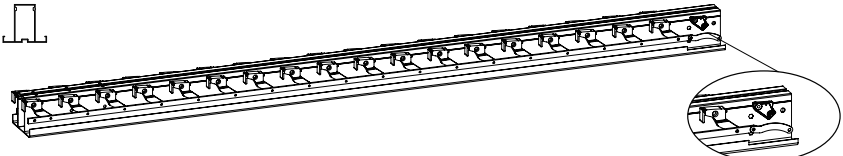
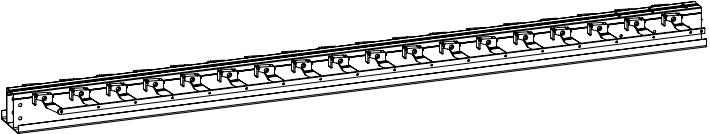
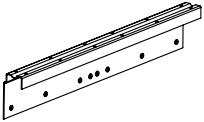
Safetyglasses

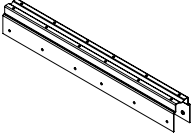
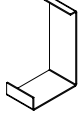
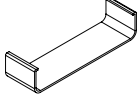
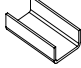
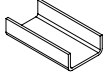
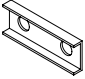
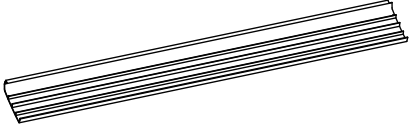

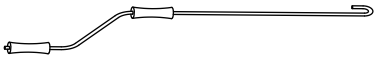
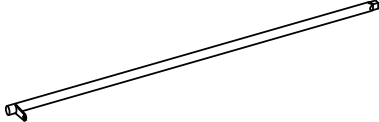
## 12'x14' Louver Pergola Anchor Blueprint



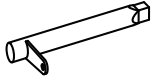
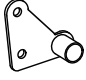
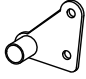
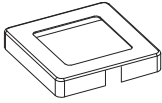
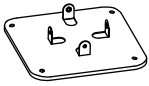
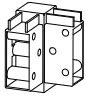

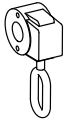
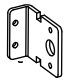
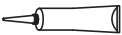
Anchoring poles into concrete is strongly recommended.  
Ensure the gazebo is positioned on level ground.


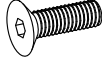
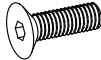
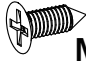
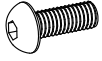




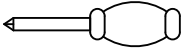
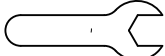
Attention: Prior to assembly, verify that all parts and pieces are included to ensure an efficient installation process.

REF	IMAGE	NAME	QTY
AP		Pole	4
BS6		Short Beam	2
CS6		Short Beam	2
DL7		Left Beam	1
ER7		Left Beam	1
FL7		Right Beam	1
GR7		Right Beam	1
ML7		Middle Beam	1
MR7		Middle Beam	1
T		Beam Connector	4

REF	IMAGE	NAME	QTY
T1		Joint lever	1
H		Joint Cover	4
H1		Joint Cover	1
J		Gutter Connector	4
J1		Gutter Connector	2
J2		Lever Connector	4
K		Louver Boards	2
K1		Louver Boards	72
L		Crank	1
V		Long Lever	2



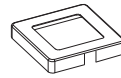
REF	IMAGE	NAME	QTY
V1		Short Lever	2
V2		Fixture	2
V3		Fixture	2
N		Plate Cover	4
N1		Plate	4
P		Plastic Corner	4
Q		Fixture	2
R		Turbine	2
R1		Fixture	2
S		Silicone	1

REF	IMAGE	NAME	QTY
1#	 M6*18	Screws	44
2#	 M6*15	Screws	16
3#	 M6*13	Screws	4
4#	 M4*12	Screws	4
5#	 M6*10	Screws	104+2
6#	 M6	Nut	8
7#	 M6*40	Screws	4
8#	 M8*52	Screws	24
9#		Tools	3
10#		Tools	2
11#		Tools	2

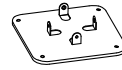
Parts Required:



AP (x4)



N (x4)



N1 (x4)

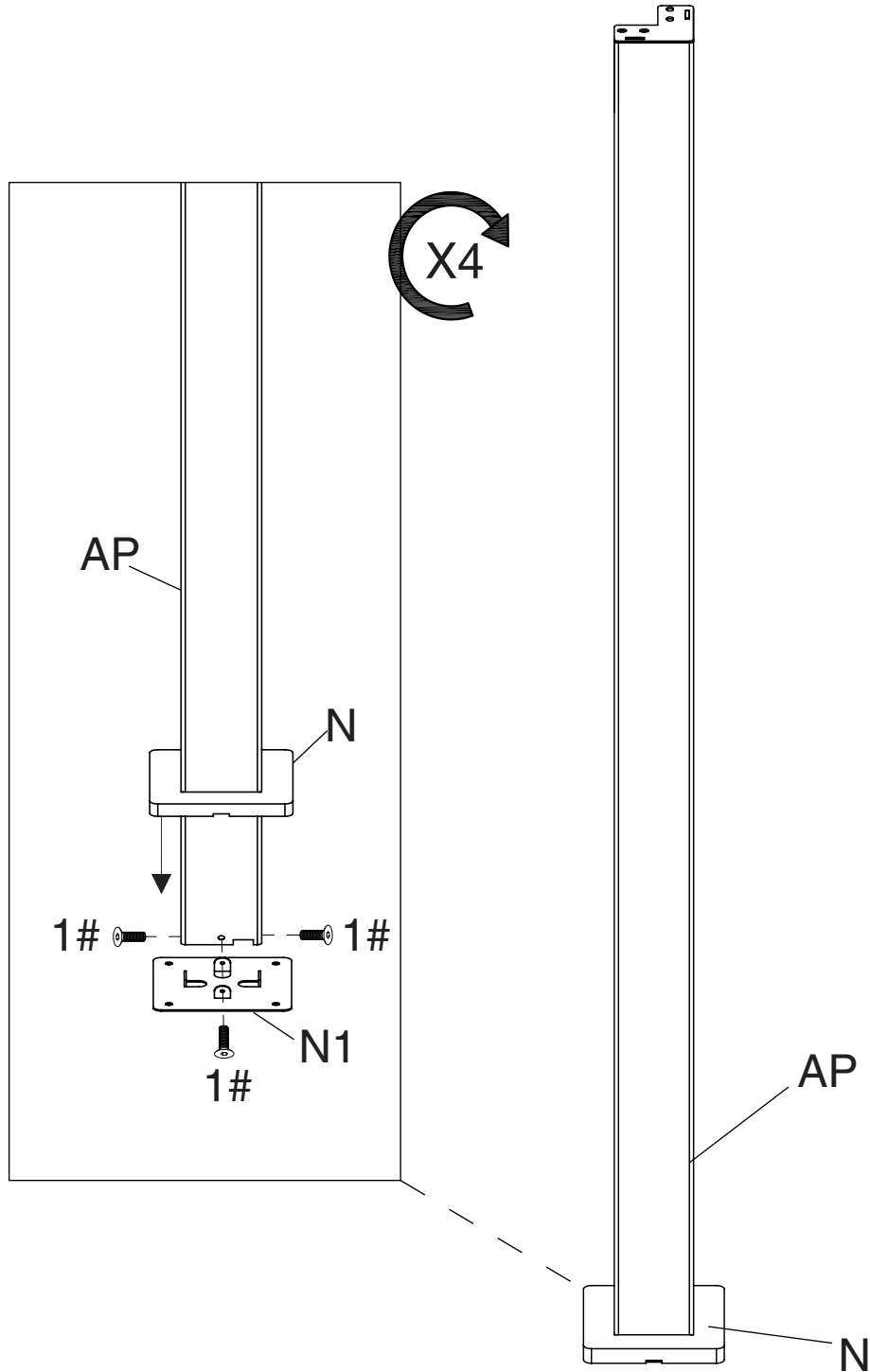


1#

(x16)

**Step 1:**

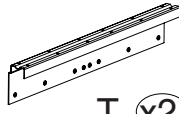
Set up poles (Part AP) with stand plates (Part N,N1) using screws 1# as shown in the diagram.



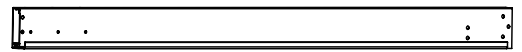
## Parts Required:



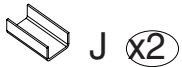
BS6 (x2)



T (x2)



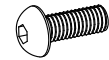
CS6 (x2)



J (x2)



S (x1)



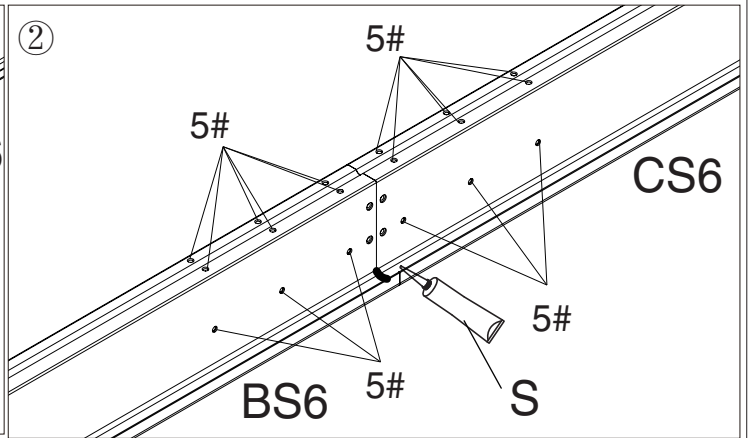
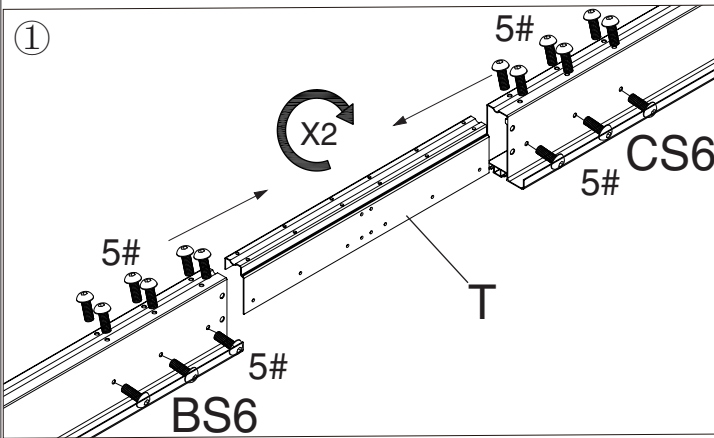
5# (x36)

## Connected Beam Overall:

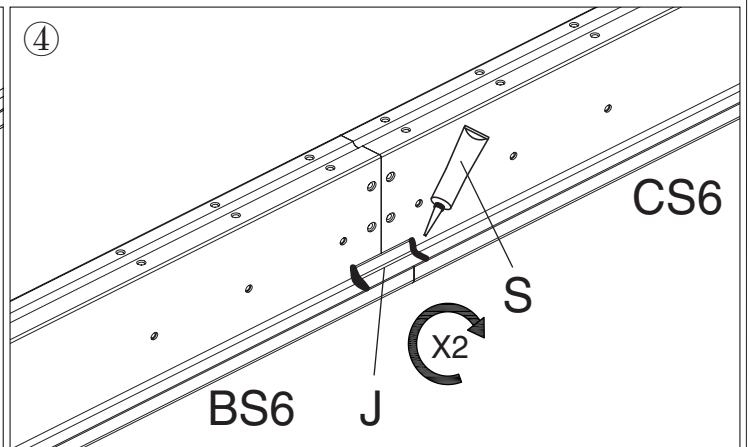
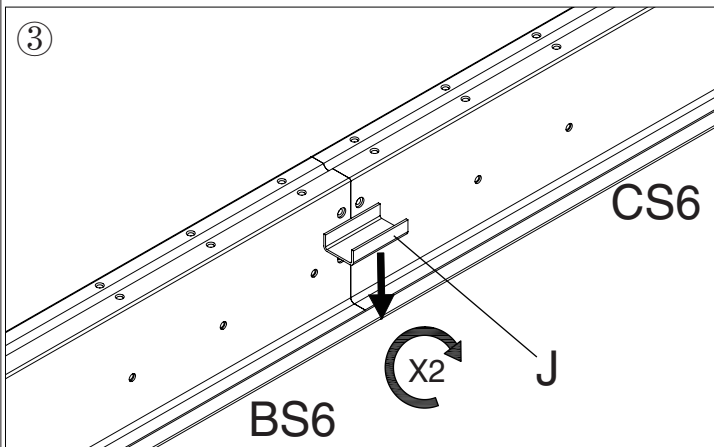


## Step 2:

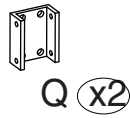
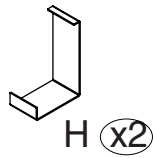
Connect Beam (Part BS6, CS6) into one beam using Connector (Part T) with screw 5# as shown in the diagram. Then use Silicone (Part S) to cover the seam.



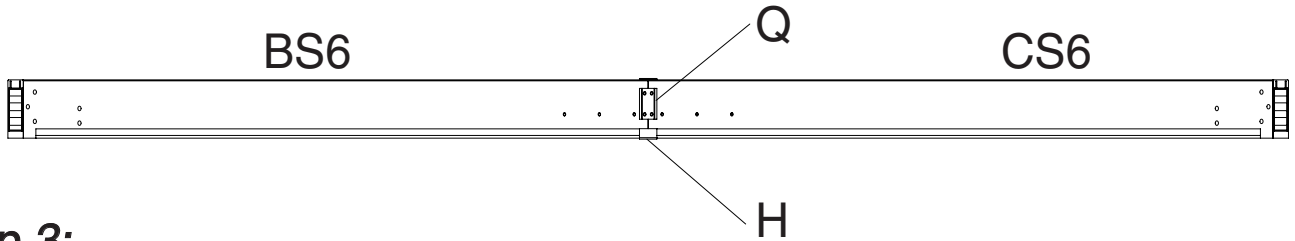
Put Gutter Connector (Part J) into gutter, Then use Silicone (Part S) to cover the seams around (Part J) in order to avoid leaking.



Parts Required:

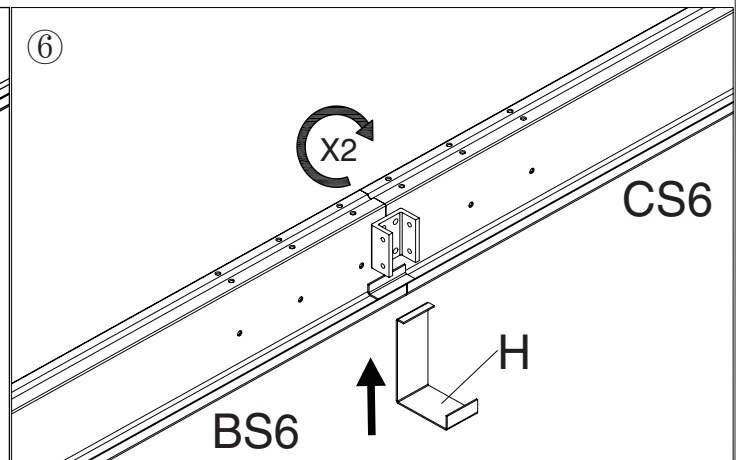
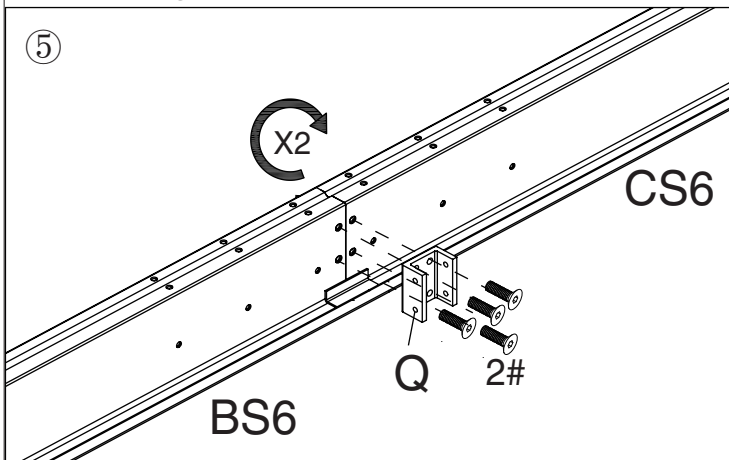


Connected Beam Overall:

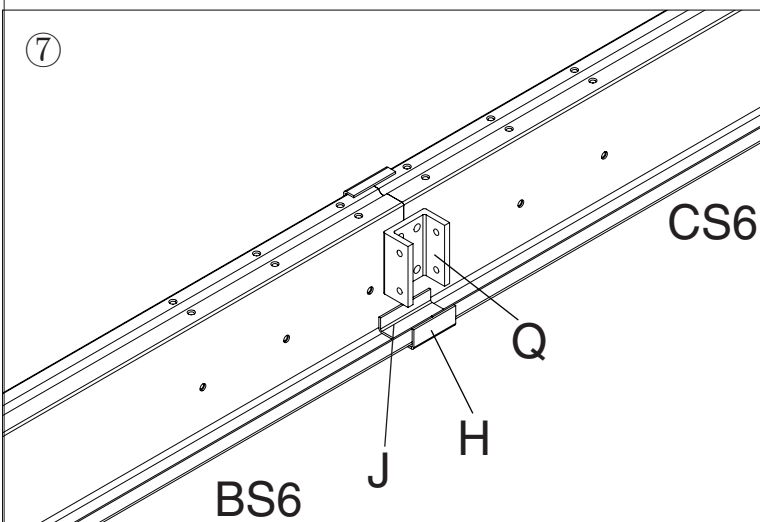


**Step 3:**

Fix Fixture (Part Q) in the middle of Beam Part (BS6, CS6) using screw 5#, as shown in the diagram.

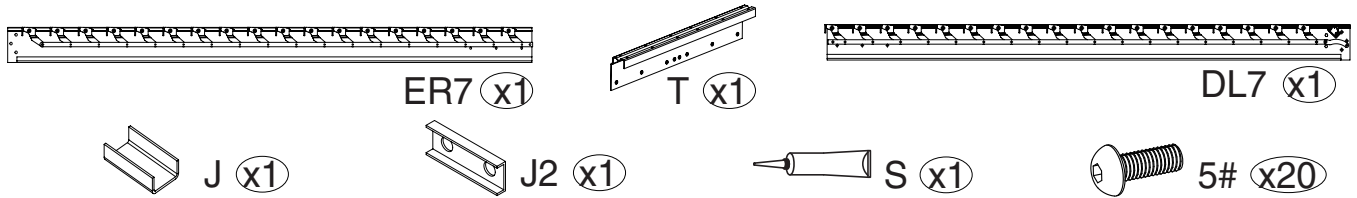


Snap Joint cover (Part H) to the middle of Beam.

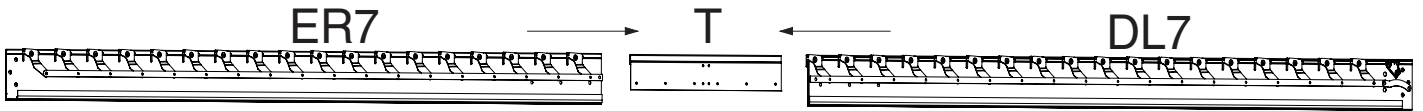


Compeletly finished Beam (Part BS6,CS6)

## Parts Required:

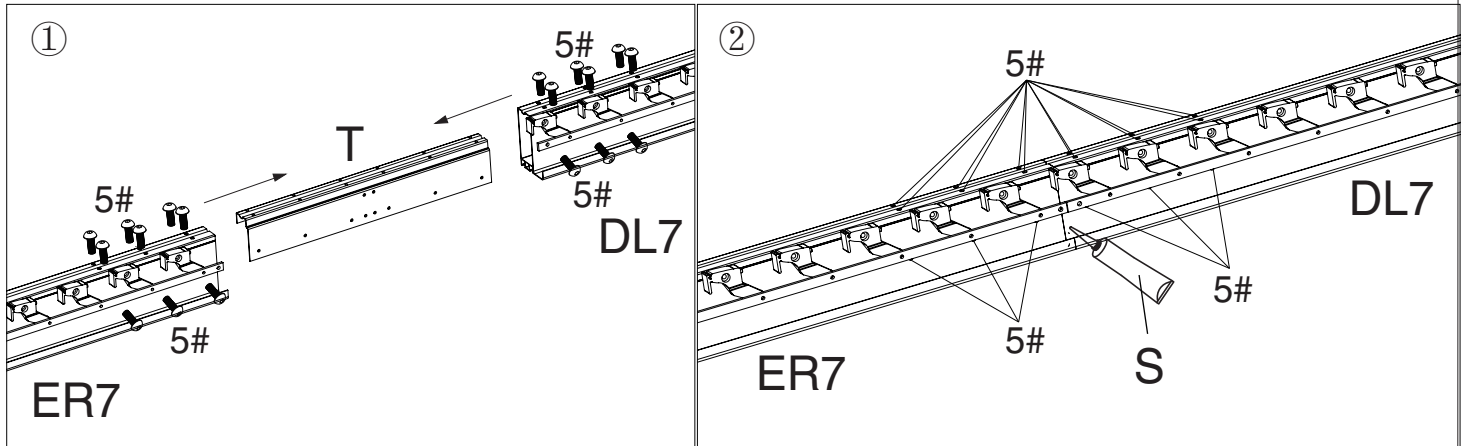


## Connected Beam Overall:

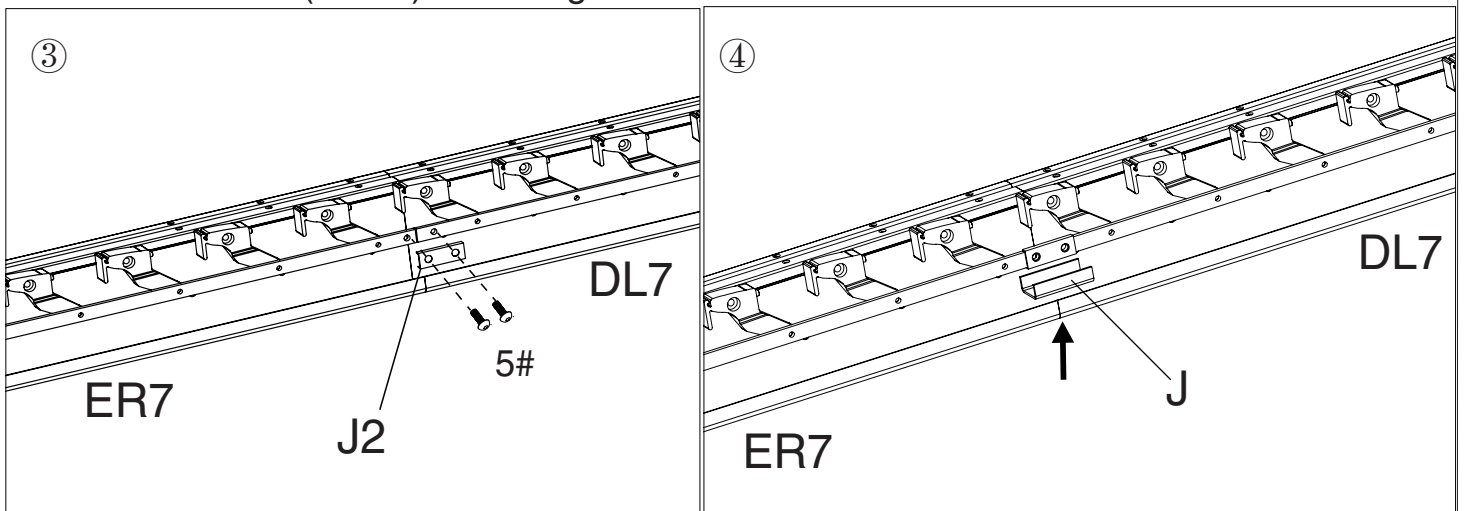


### Step 4:

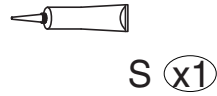
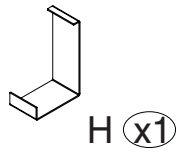
Connect Beam (Part ER7, DL7) into one beam using Connector (Part T) with screw 5# as shown in the diagram. Then use Silicone (Part S) to cover the seam.



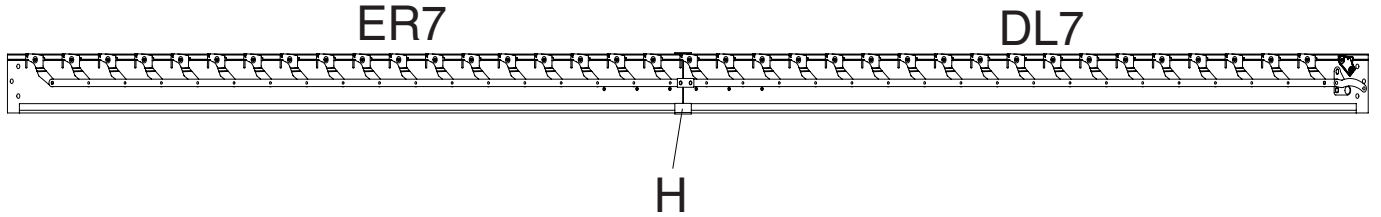
Connect two Lever Bars using Lever connector (Part J2) and screw 5#. Then put Gutter Connector (Part J) into the gutter.



Parts Required:

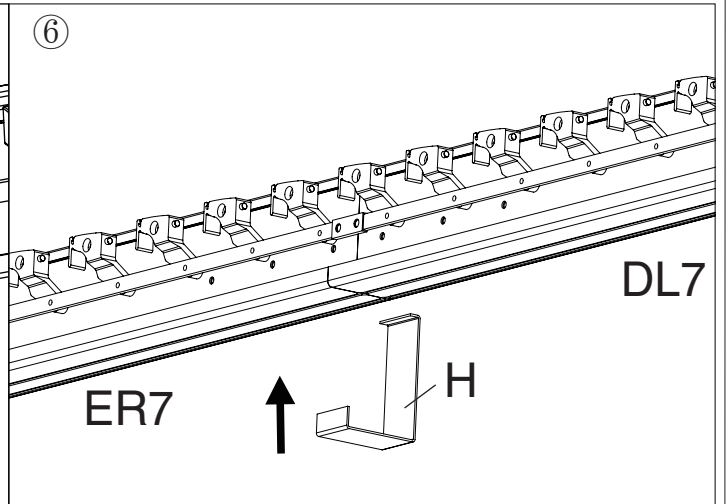
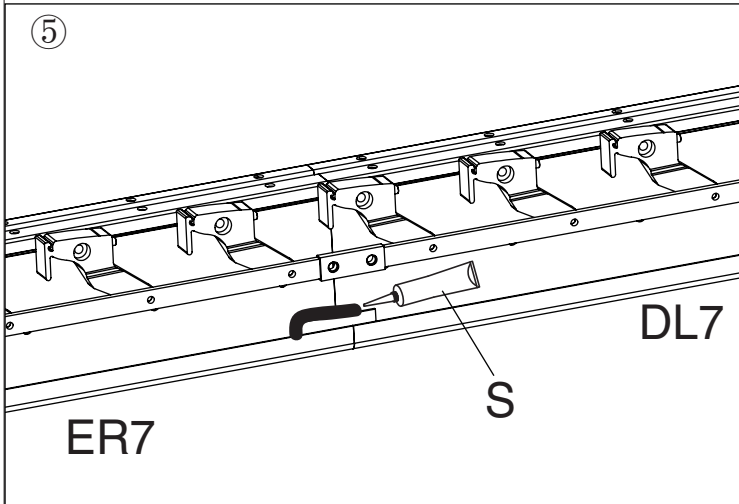


Connected Beam Overall:

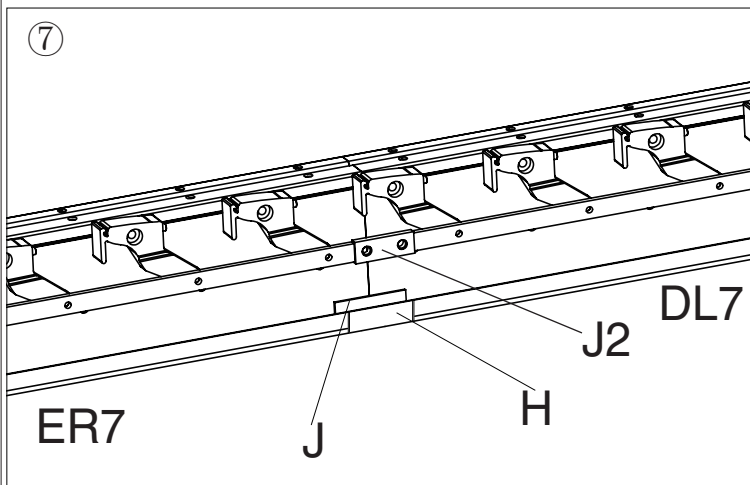


**Step 5:**

Use Silicone (Part S) to cover the seams around (Part J) in order to avoid leaking.

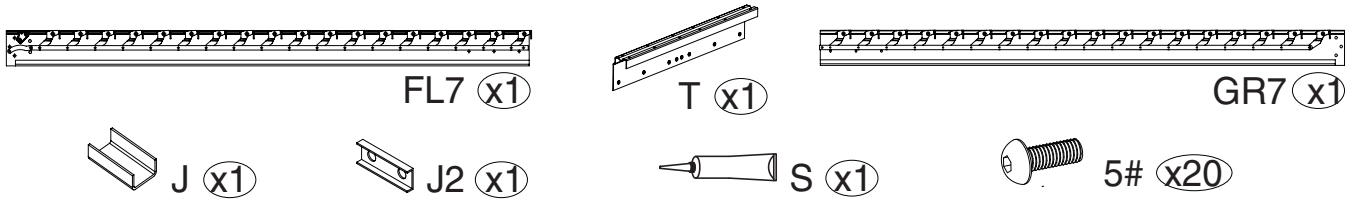


Snap Joint cover (Part H) to the middle of Beam.



Compeletly finished Beam (Part ER7,DL7)

**Parts Required:**

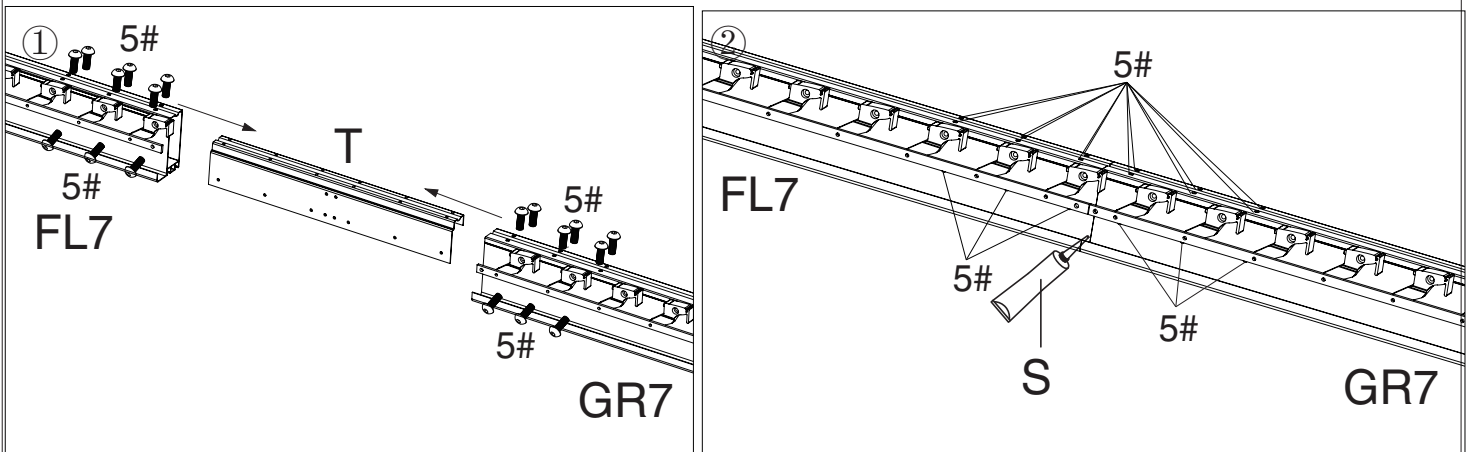


**Connected Beam Overall:**

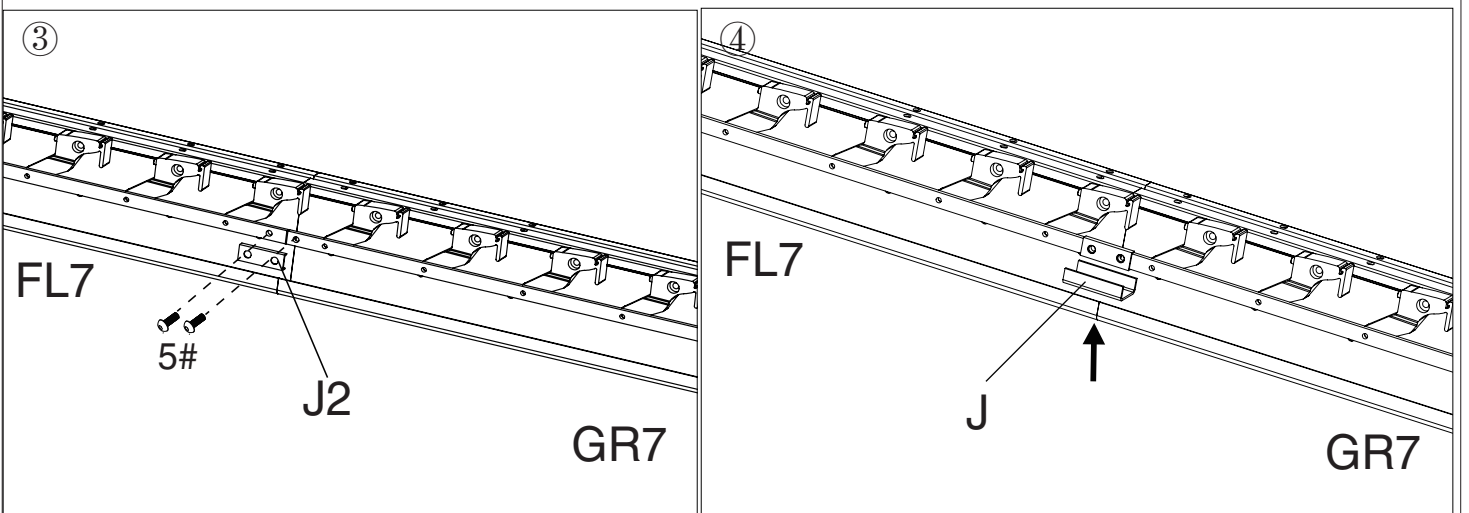


**Step 6:**

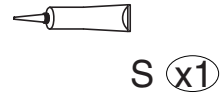
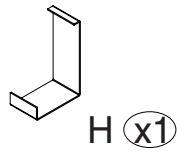
Connect Beam (Part FL7, GR7) into one beam using Connector (Part T) with screw 5# as shown in diagram. Then use Silicone (Part S) to cover the seam.



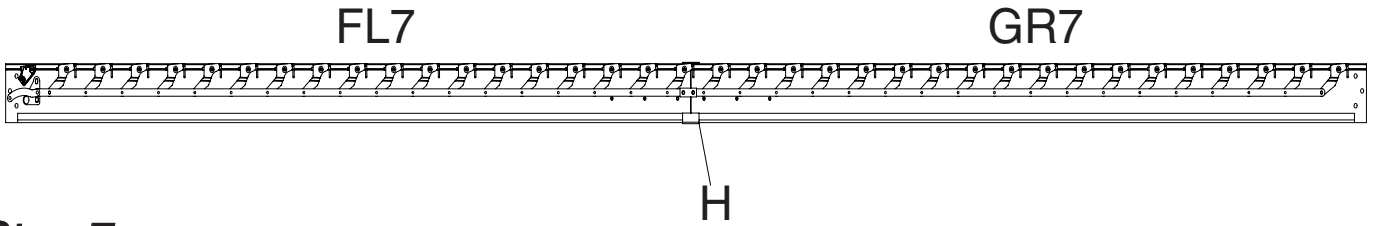
Connect two Lever Bars using Lever connector (Part J2) and screw 5#, Then Put Gutter Connector (Part J) into gutter.



Parts Required:

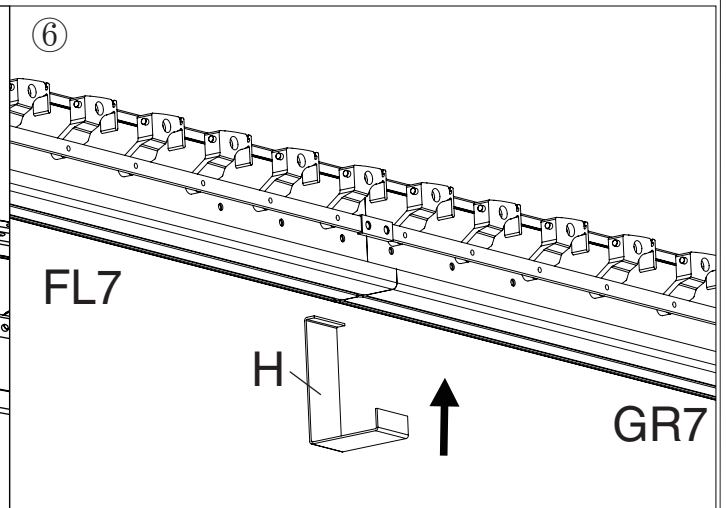
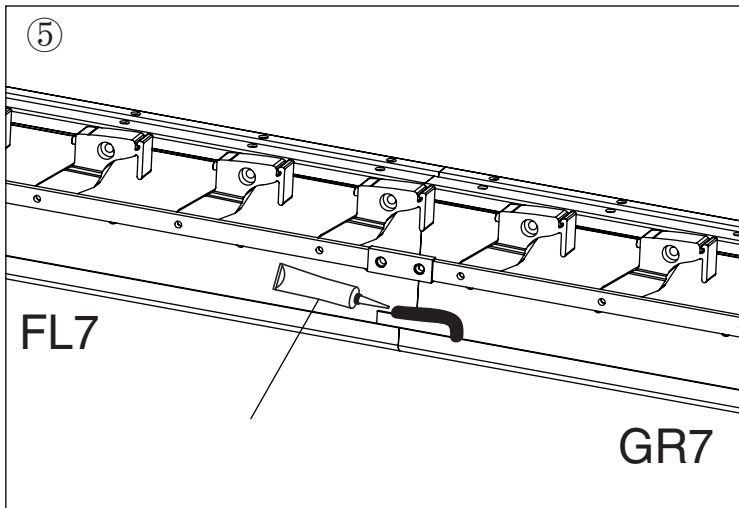


Connected Beam Overall:

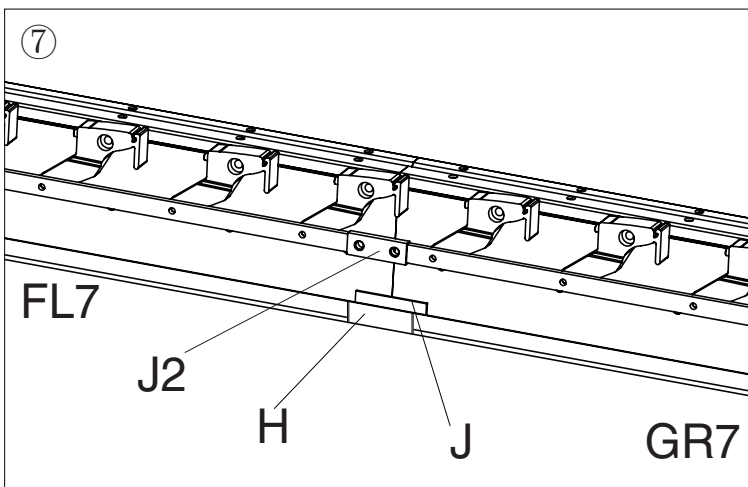


**Step 7:**

Use Silicone (Part S) to cover the seams around (Part J) in order to avoid leaking.



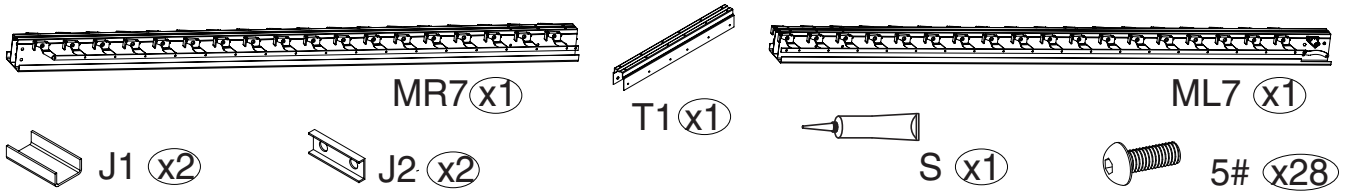
Snap Joint cover (Part H) to the middle of Beam.



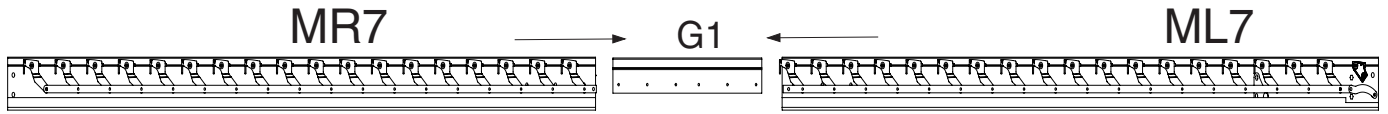
Compeletly finished Beam (Part FL7,GR7)



Parts Required:

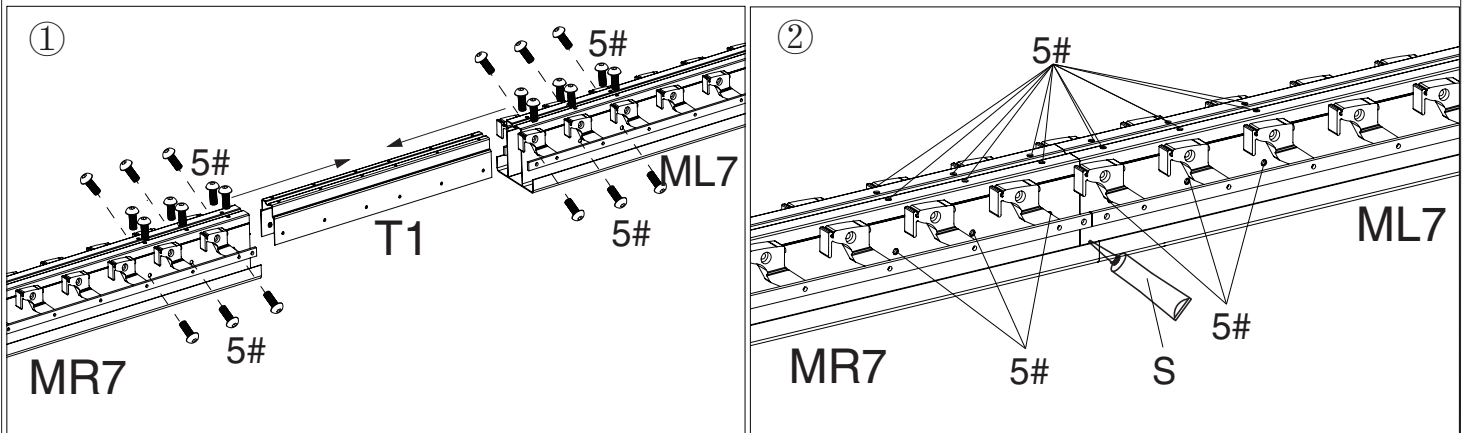


Connected Beam Overall:

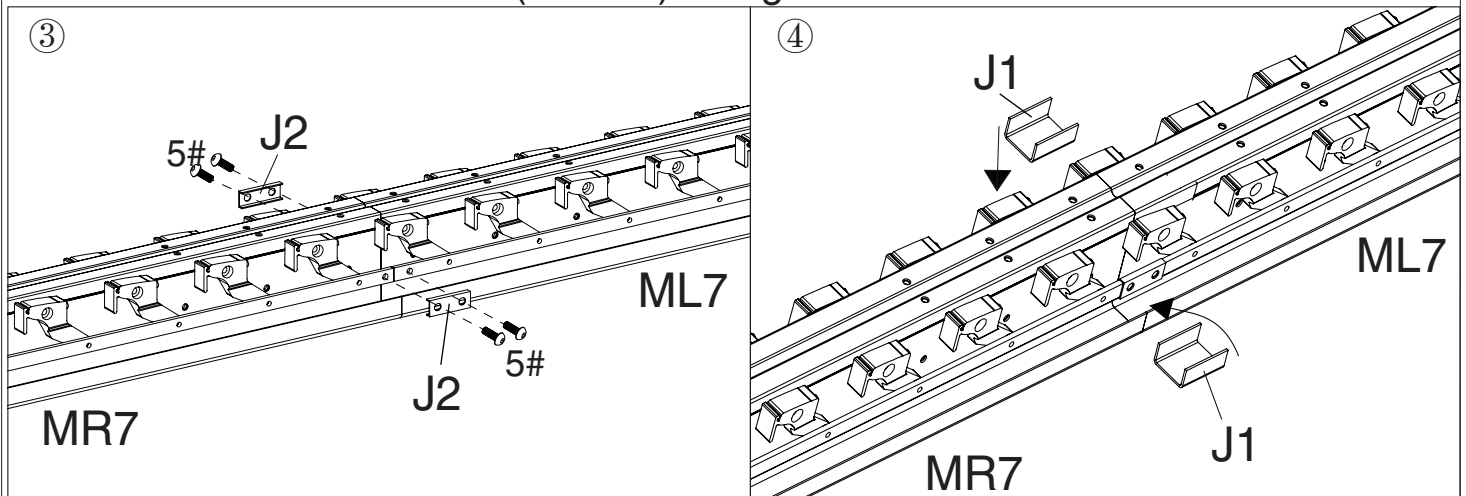


**Step 8:**

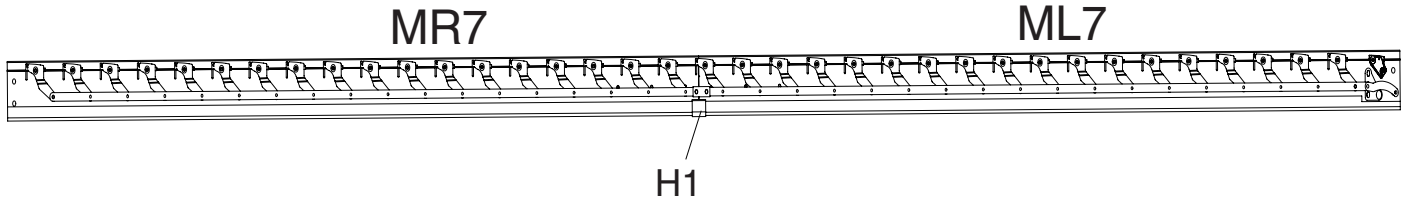
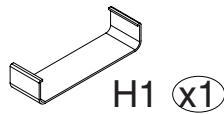
Connect Beam (Part ML7, MR7) into one beam using Connector (Part T1) with screw 5#, as shown in the diagram. Then use Silicone (Part S) to cover the seam.



Connect two Lever Bars using Lever connector (Part J2) and screw 5#, Then Put Gutter Connector (Part J1) into gutter.

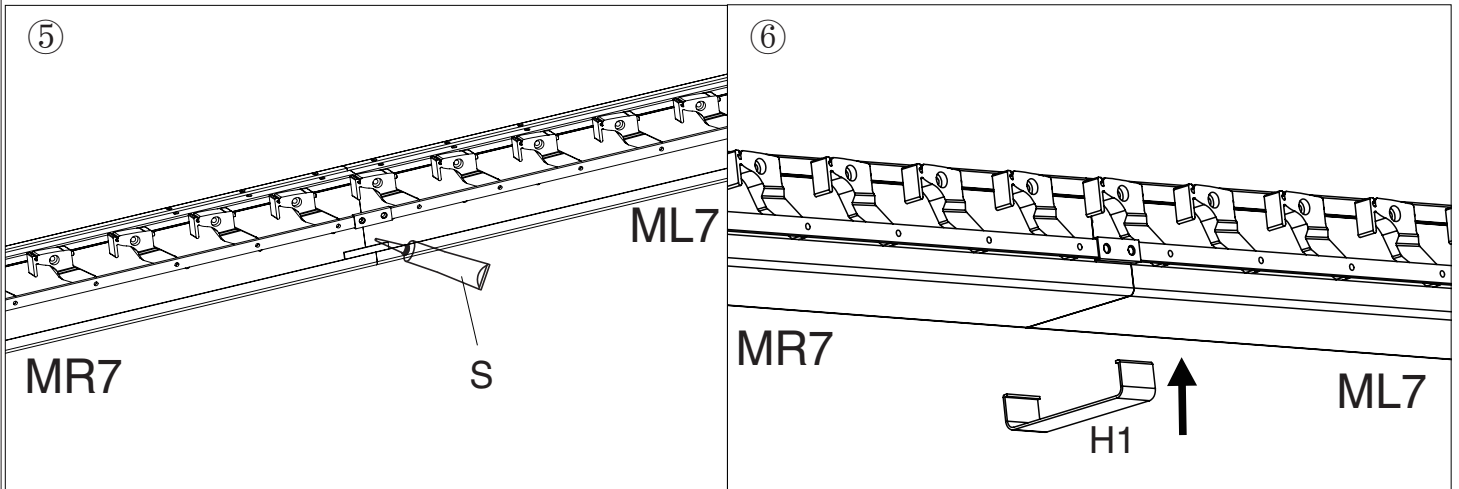


Parts Required:

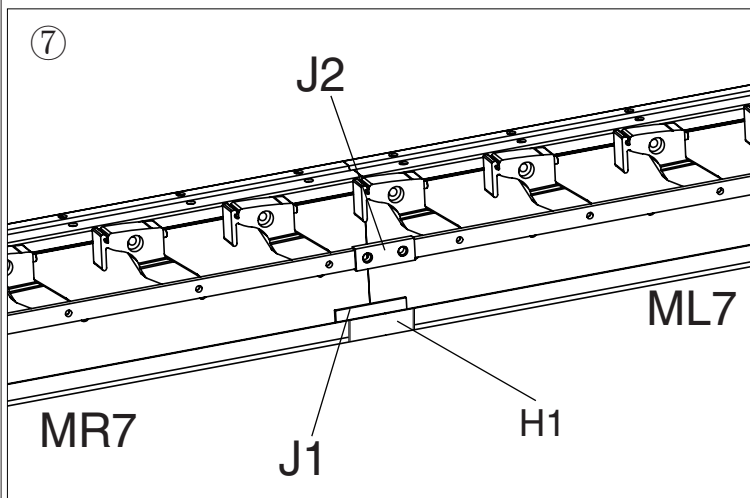


**Step 9:**

Use Silicone (Part S) to cover the seams around (Part J1) in order to avoid leaking.



Snap Joint cover (Part H1) to the middle of Beam.



Compeletly finished Beam (Part ML7,MR7)

Parts Required:



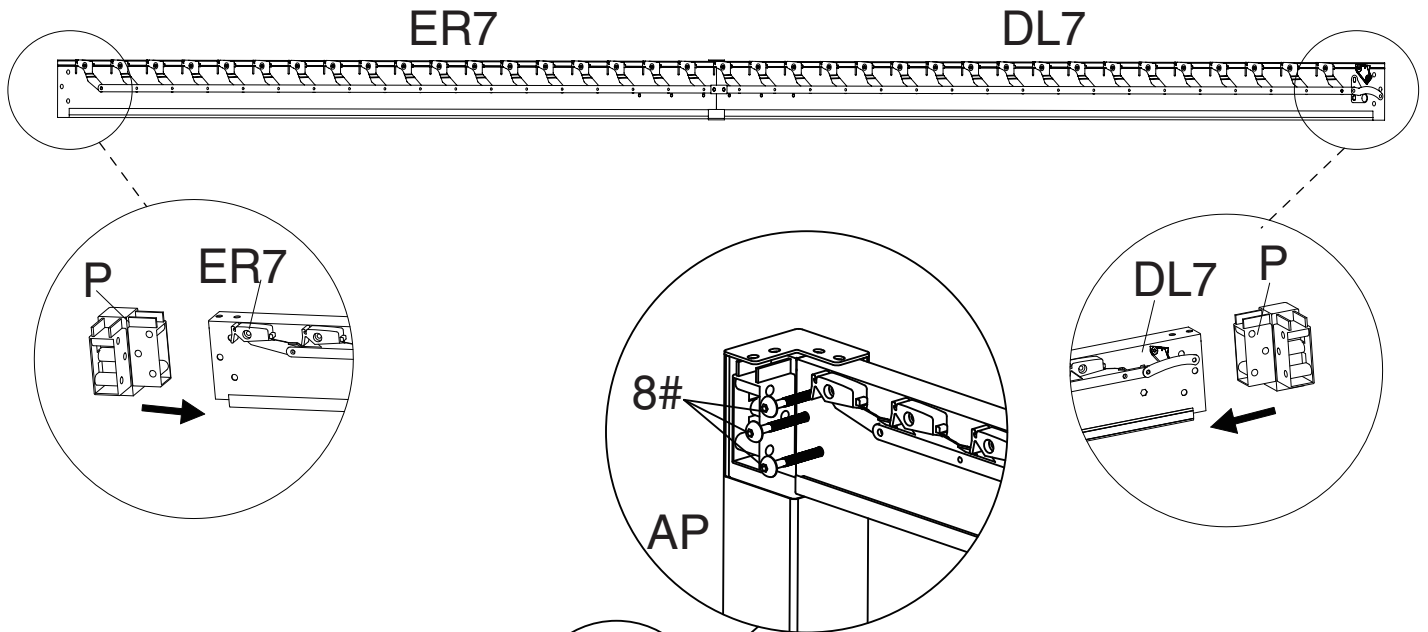
P x2



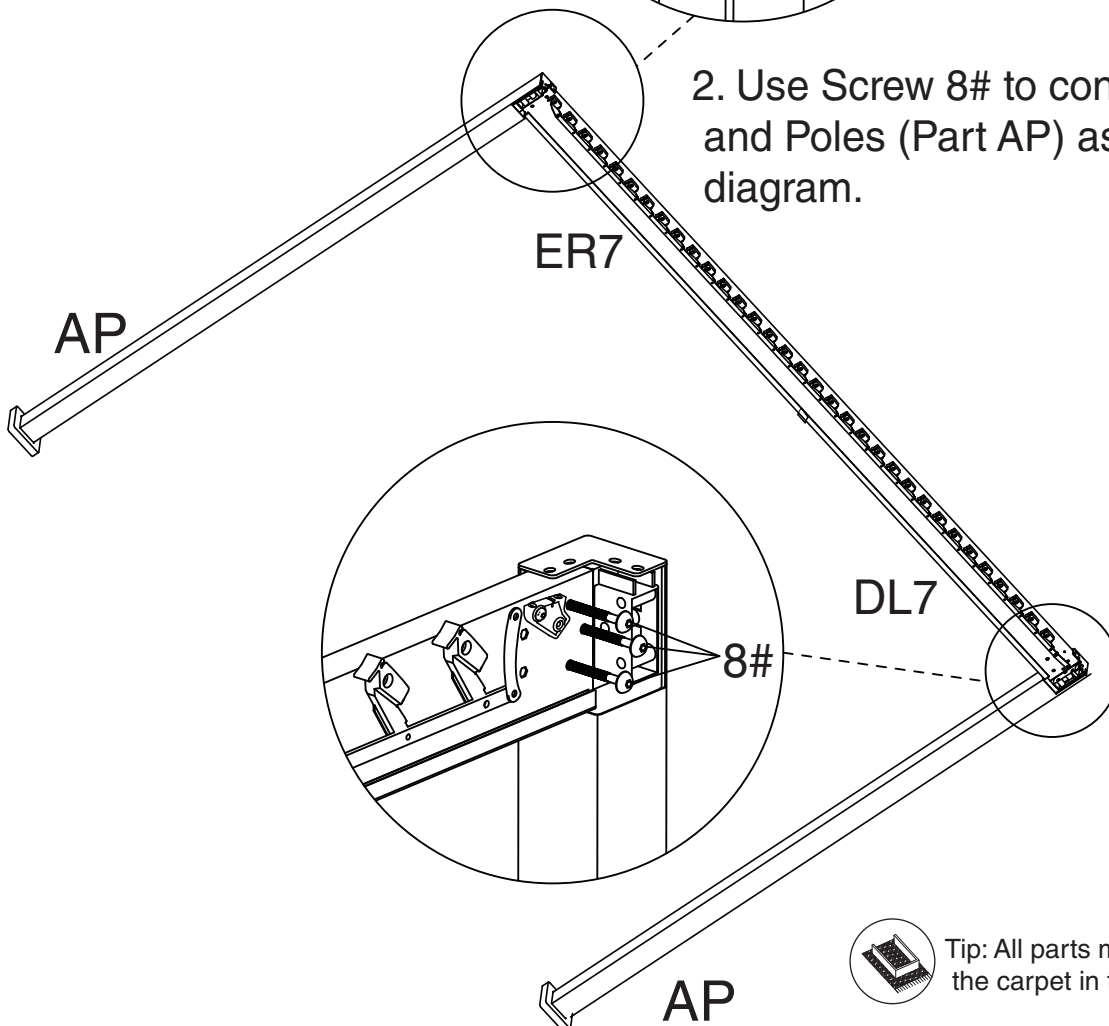
8# x6

**Step 10:**

1. Plug Plastic Corner(Part P) in to Beam (Part DL7, ER7) as shown in diagram.



2. Use Screw 8# to connect Beam and Poles (Part AP) as shown in diagram.



Tip: All parts must be put on the carpet in the assembly.

Parts Required:



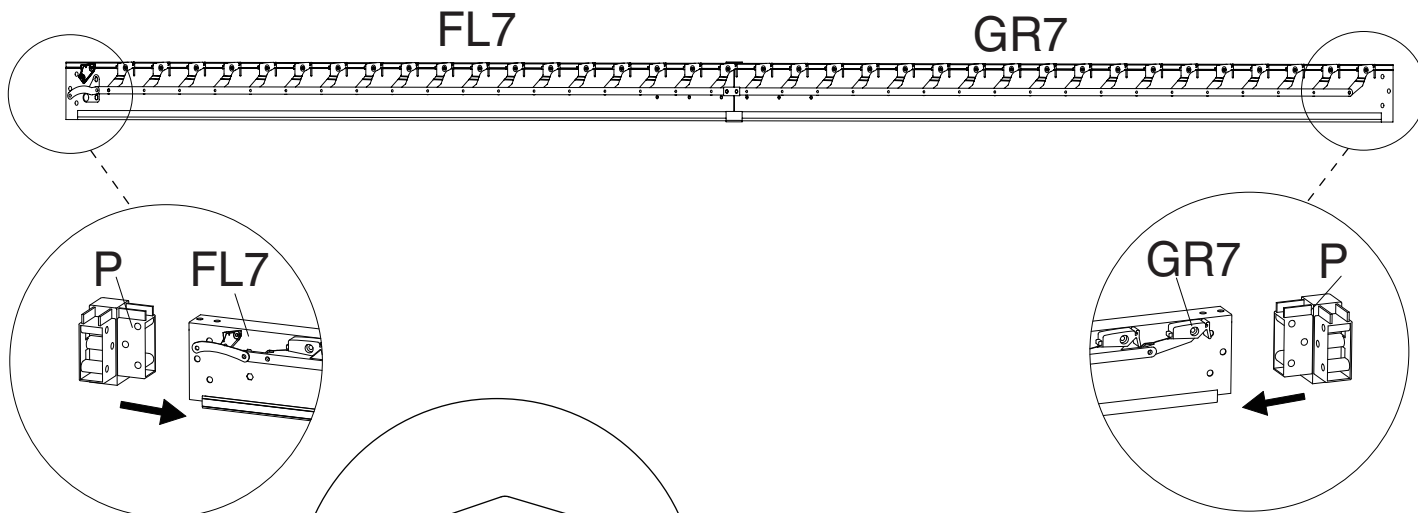
P x2



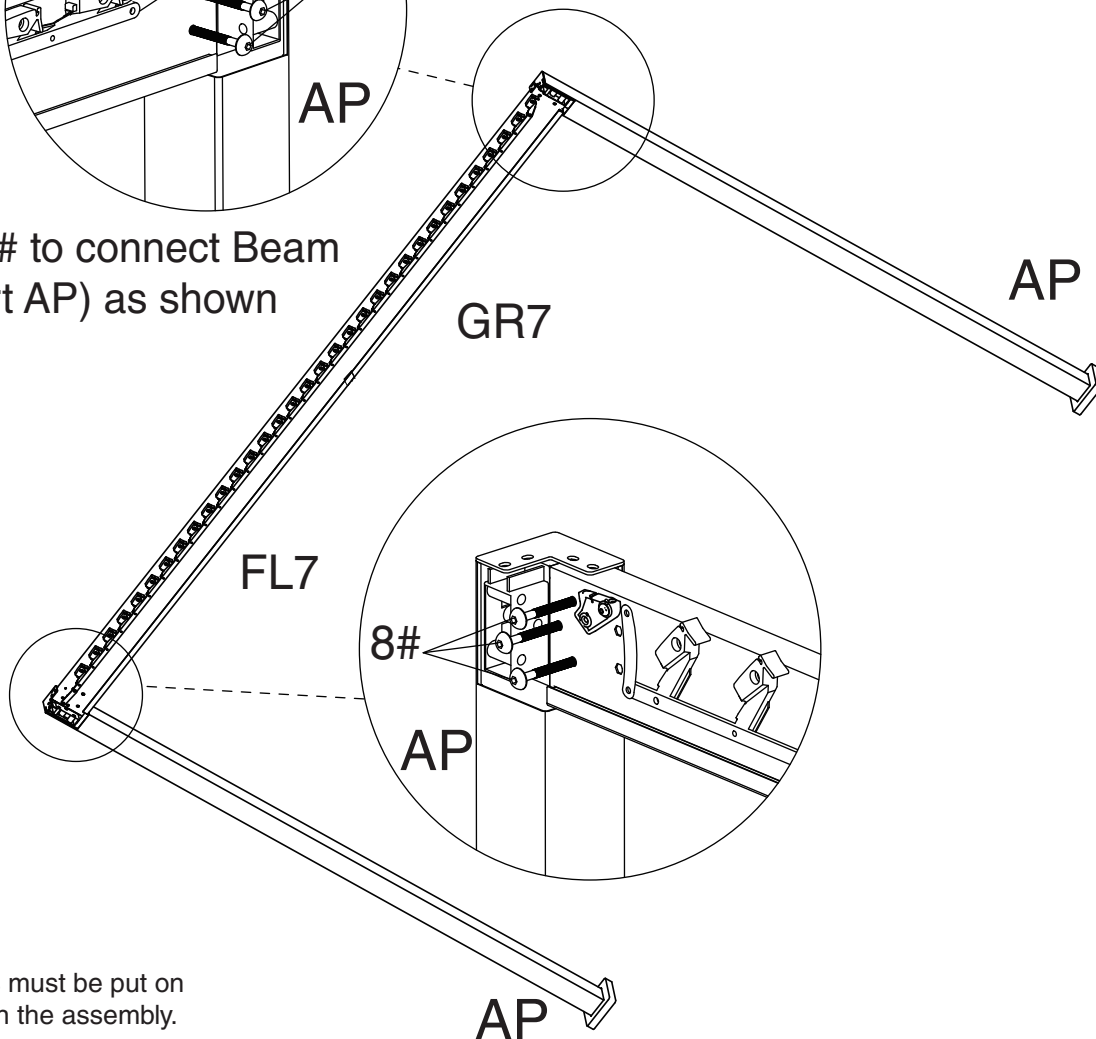
8# x6

**Step 11:**

1. Plug Plastic Corner(Part P) in to Beam (Part FL7,GR7) as shown in diagram.



2. Use Screw 8# to connect Beam and Poles (Part AP) as shown in diagram.



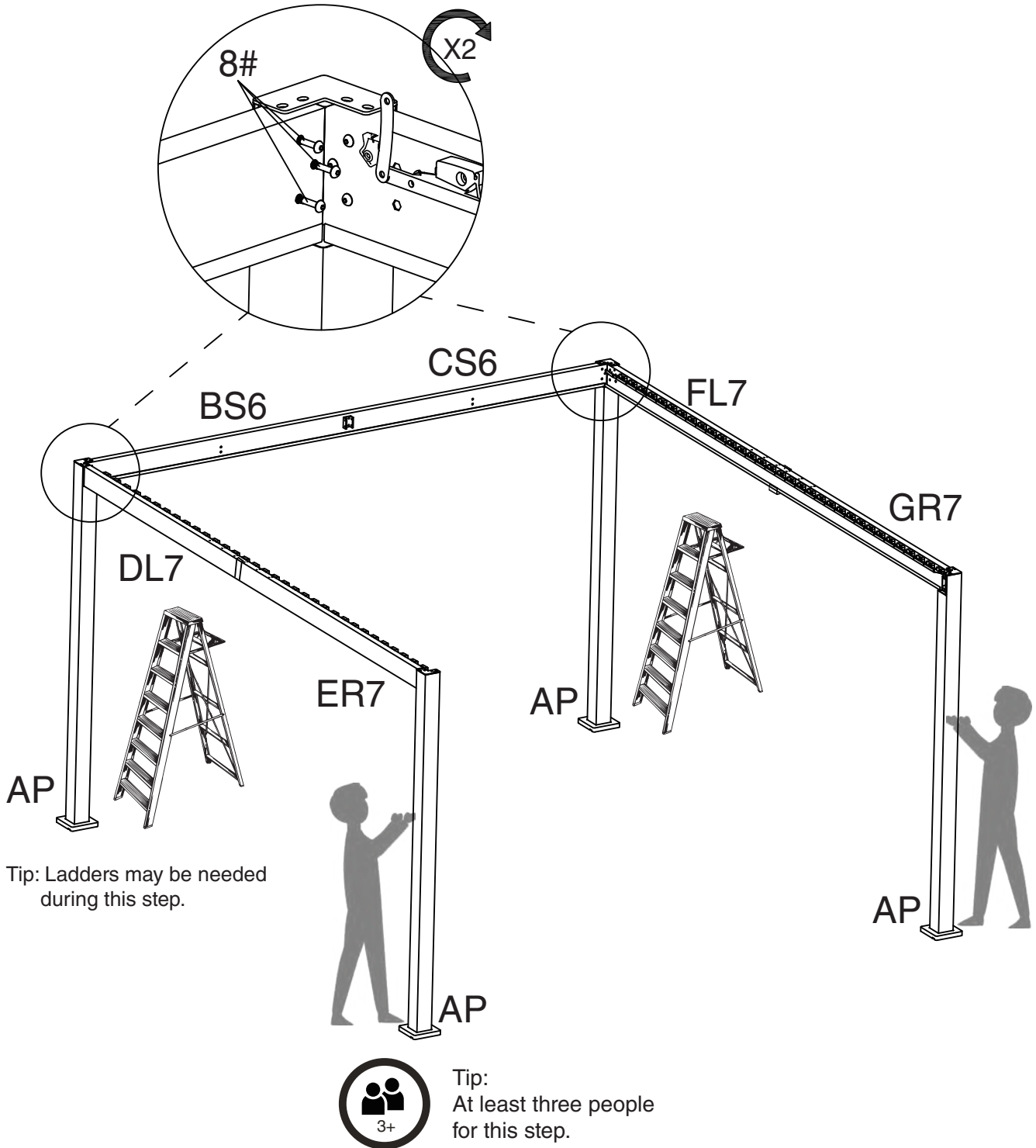
Tip: All parts must be put on the carpet in the assembly.

## Parts Required:



### Step 12:

Connect Beam (Part BS6, CS6) with Beam (Part DL7, ER7) and (Part FL7, GR7) as shown in diagram.

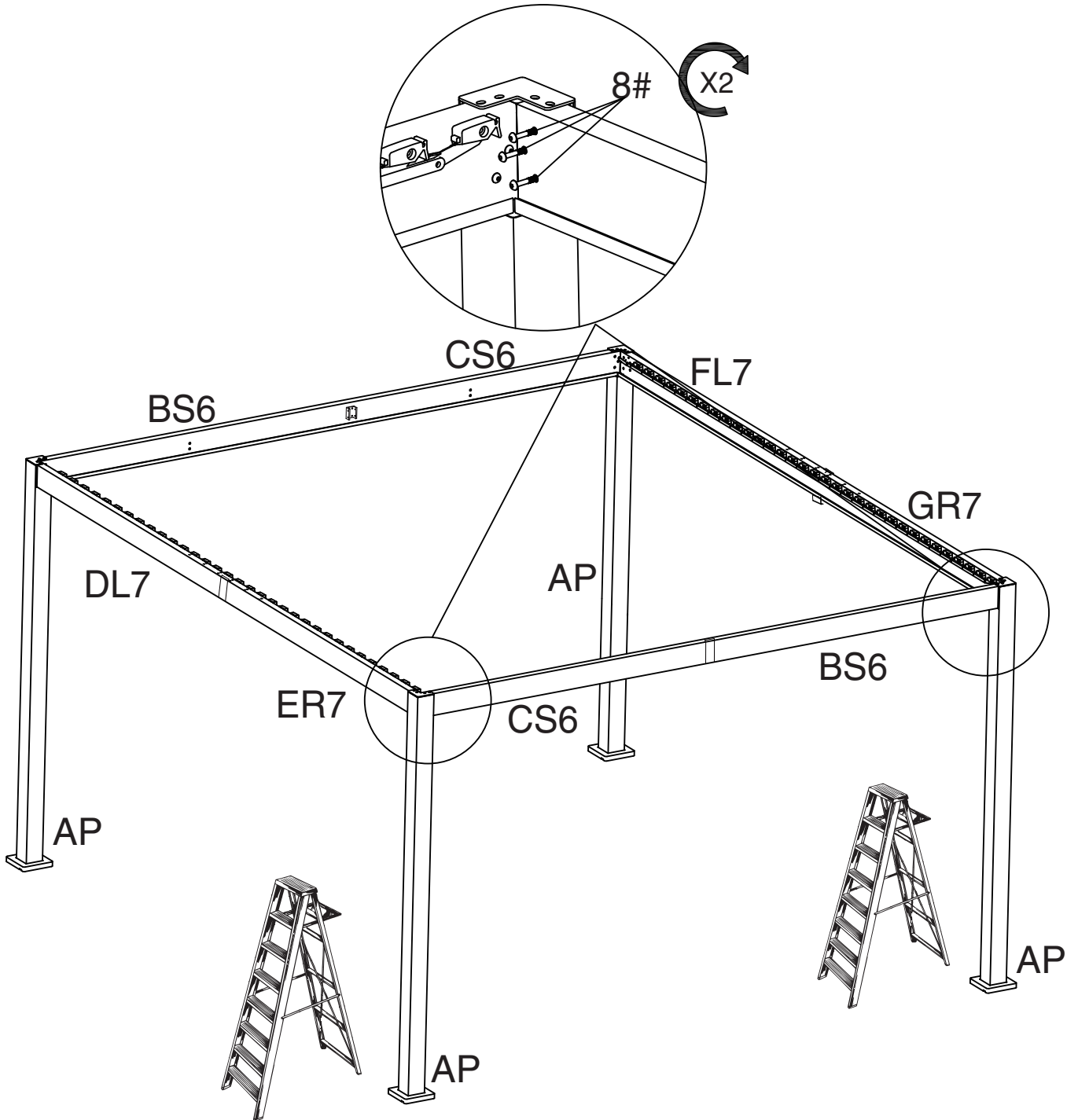


Parts Required:



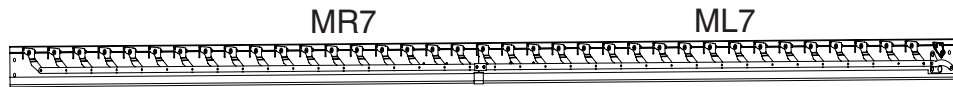
**Step 13:**

Connect Beam (Part BS6, CS6) with Beam (Part DL7, ER7) and (Part FL7, GR7) as shown in diagram.



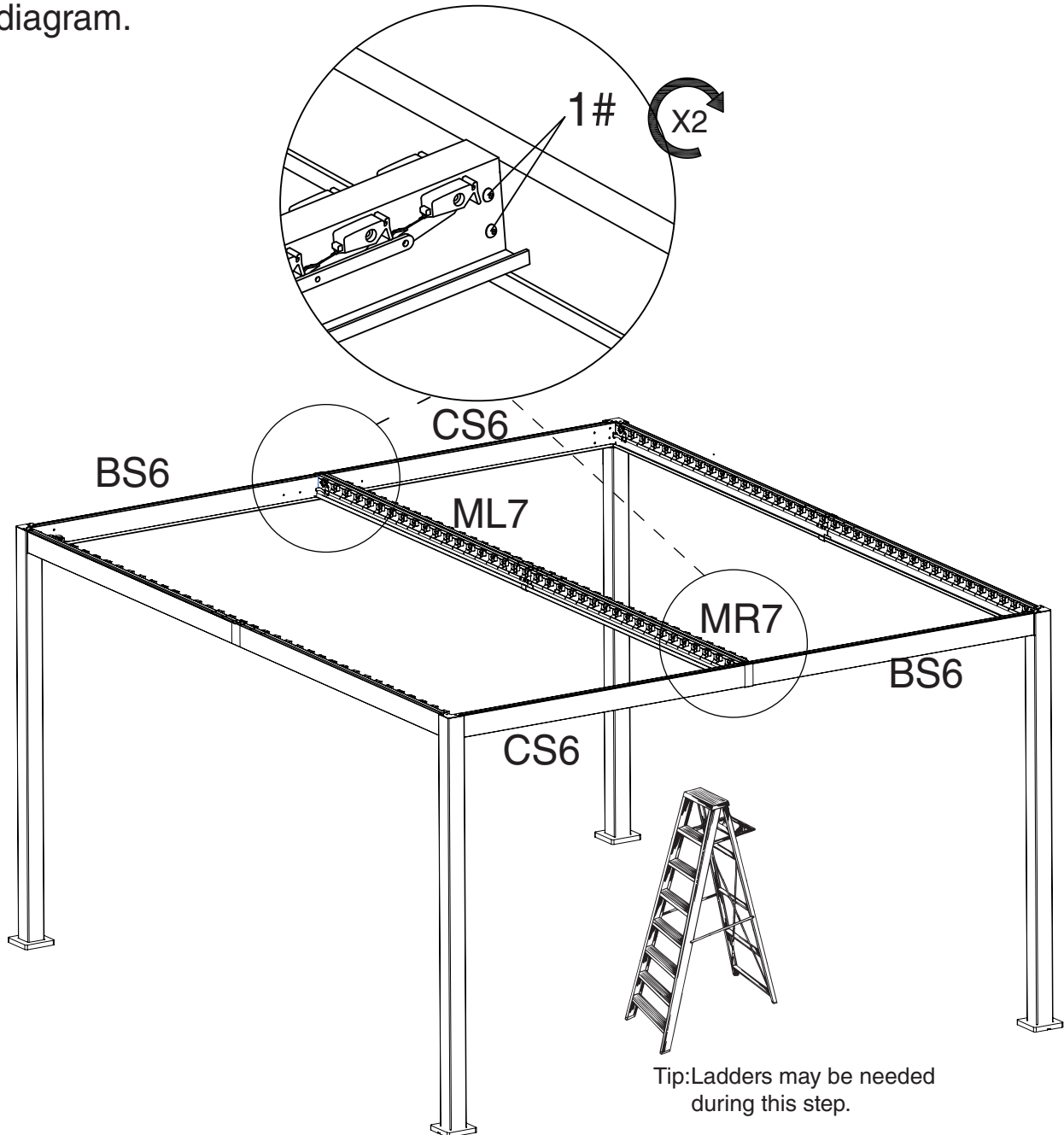
Tip:Ladders may be needed during this step.

Parts Required:

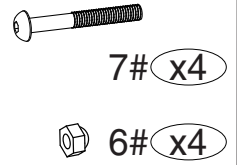
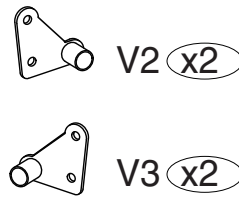
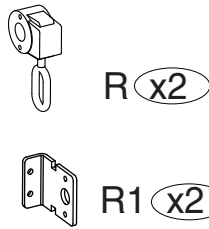
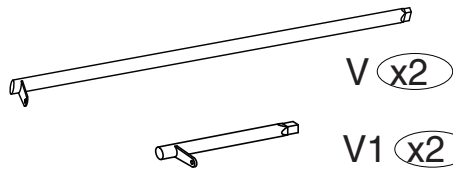


**Step 14:**

Connect Beam (Part ML7, MR7) with Beam (Part BS6, CS6) as shown in the diagram.

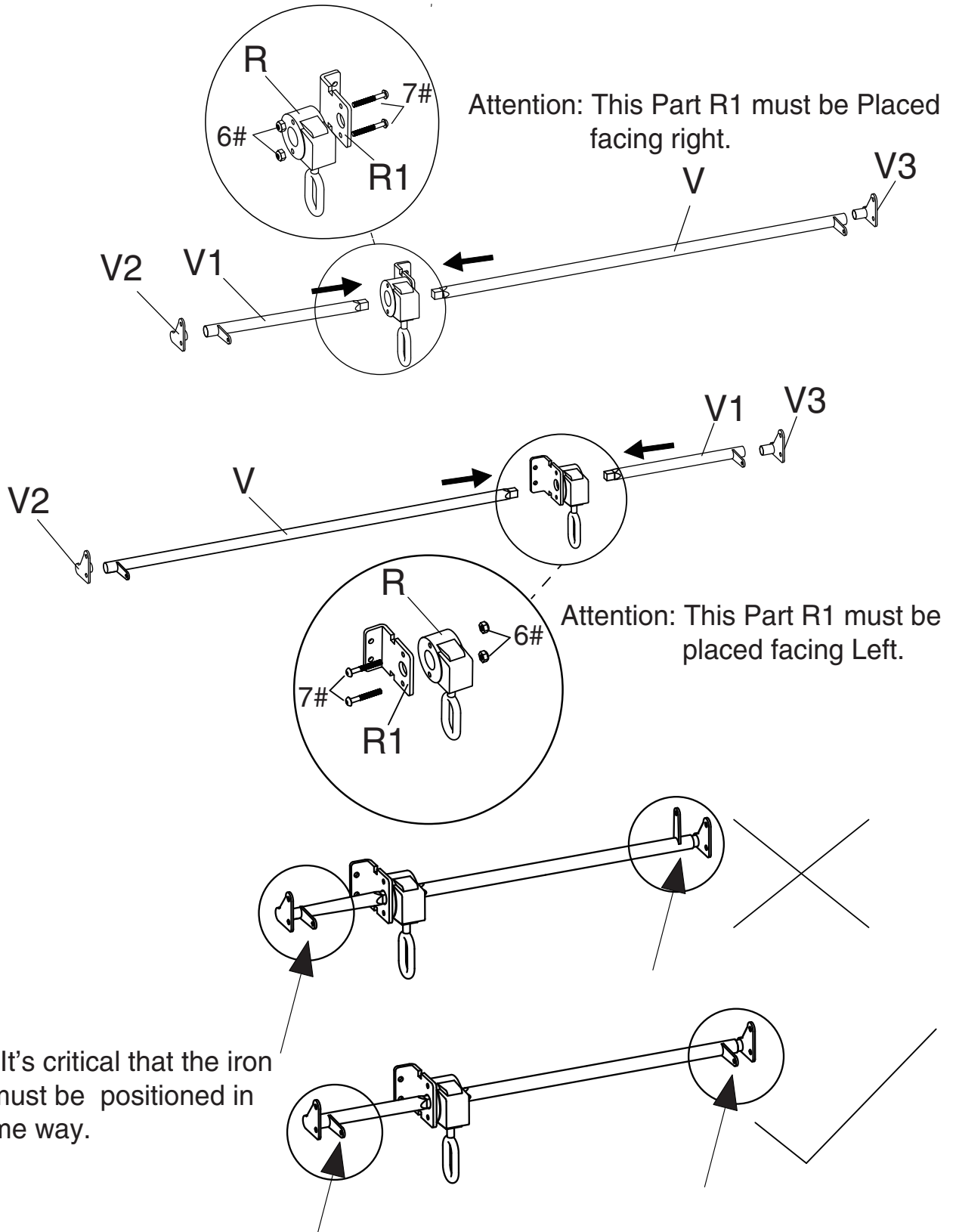


**Parts Required:**



**Step 15:**

Combine Fixture (Part V2), Short lever (Part V1), Turbine (Part R), Fixture (Part R1) to Long Lever (Part V), and Fixture (Part V3) into one lever using screw 7# and Nut 6#.



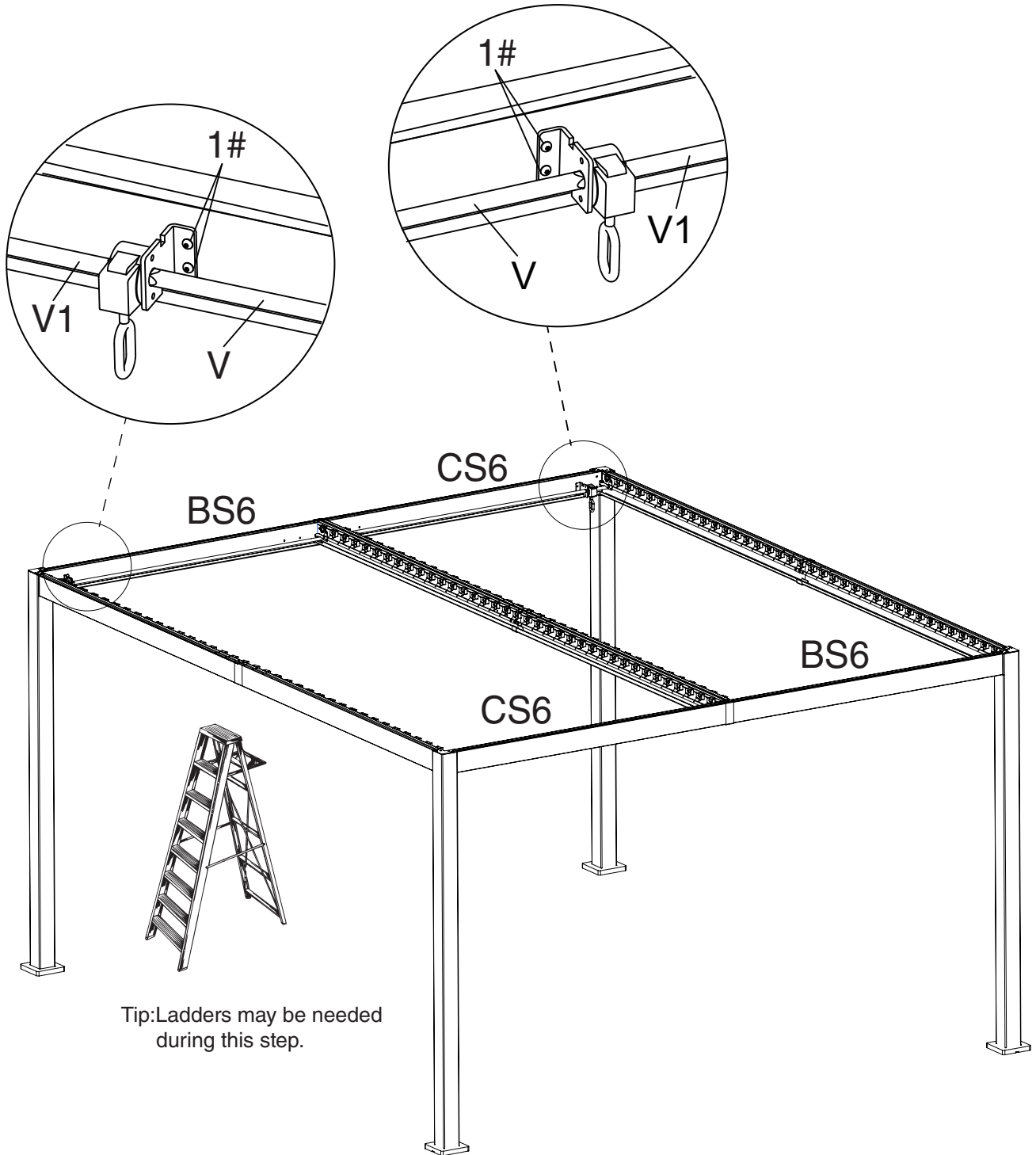


Parts Required:



**Step 16:**

Fix the finished Lever bars onto Beam (Part BS6, CS6) using screw 1# as shown in the diagram.

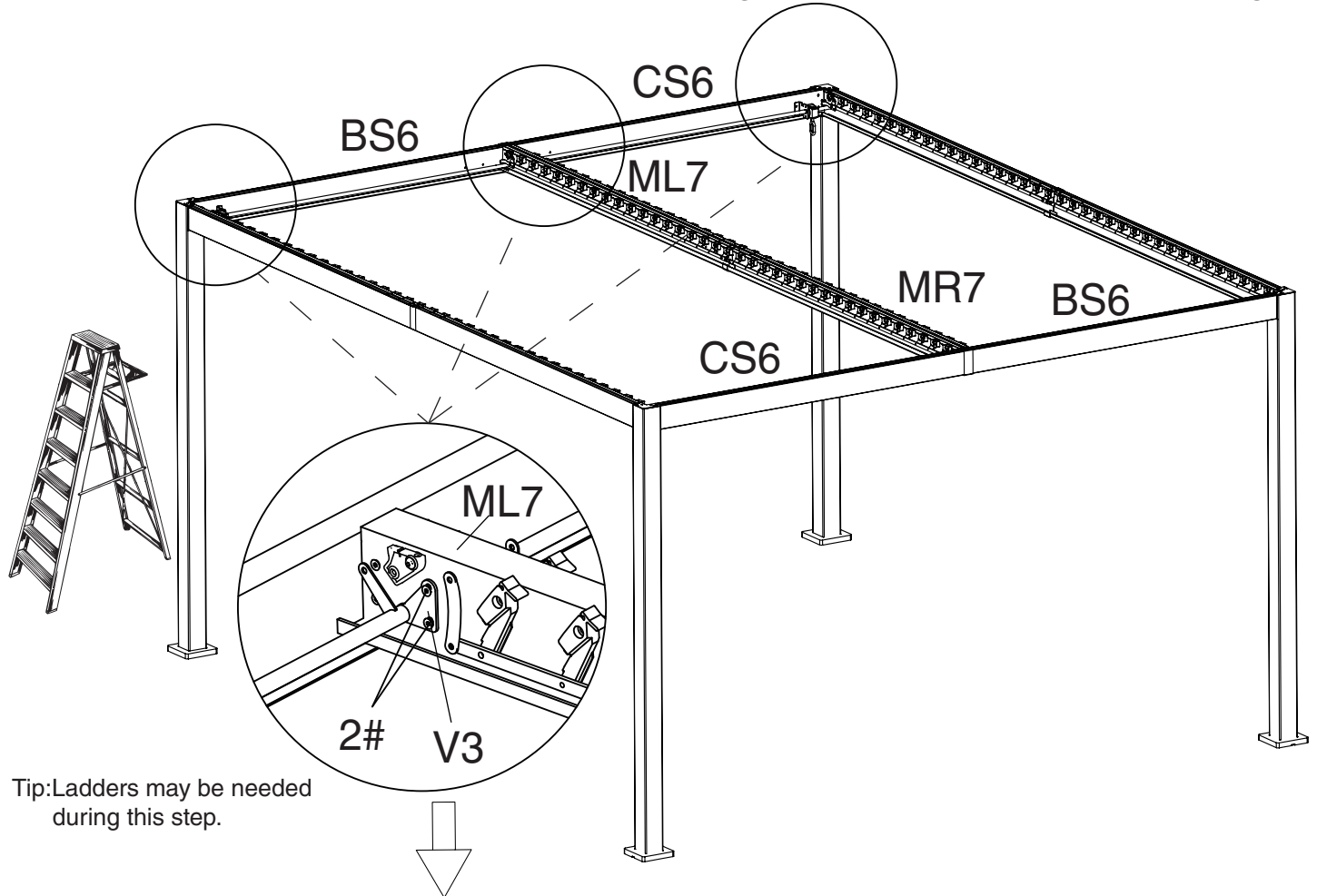


Parts Required:

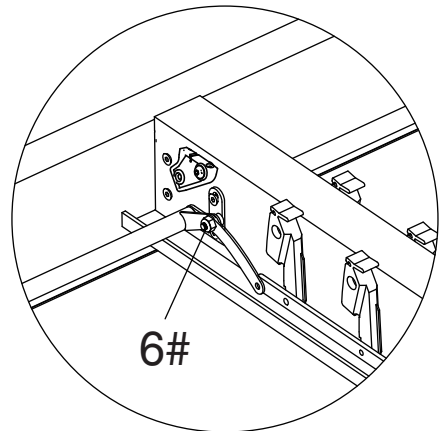
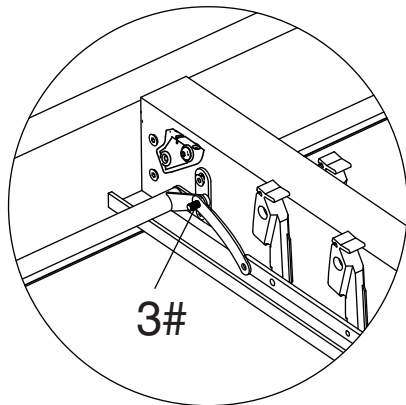


**Step 17:**

Fix the finished Lever bars onto Beams using screw 2# as shown in the diagram.



Tip: Ladders may be needed during this step.



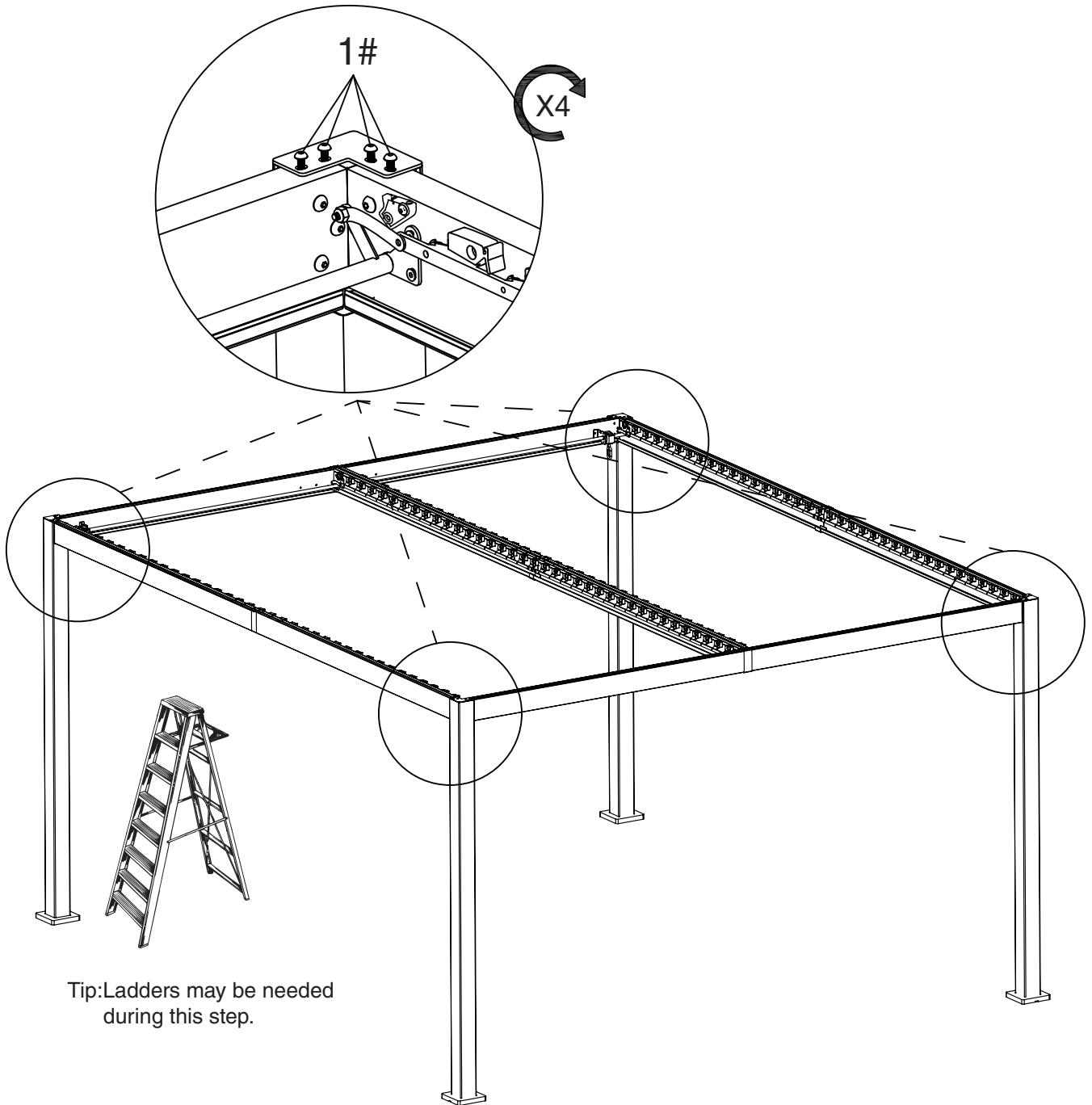
**Attention:** The nuts 6# have to be placed outside of steel part. otherwise, nuts will get in the way of manipulation.

Parts Required:



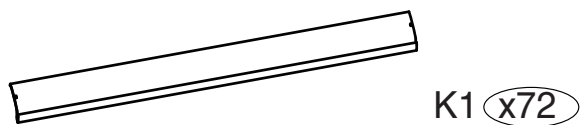
**Step 18:**

Lock the top of Poles (Part AP) into Beams using screw 1# as shown in the diagram.



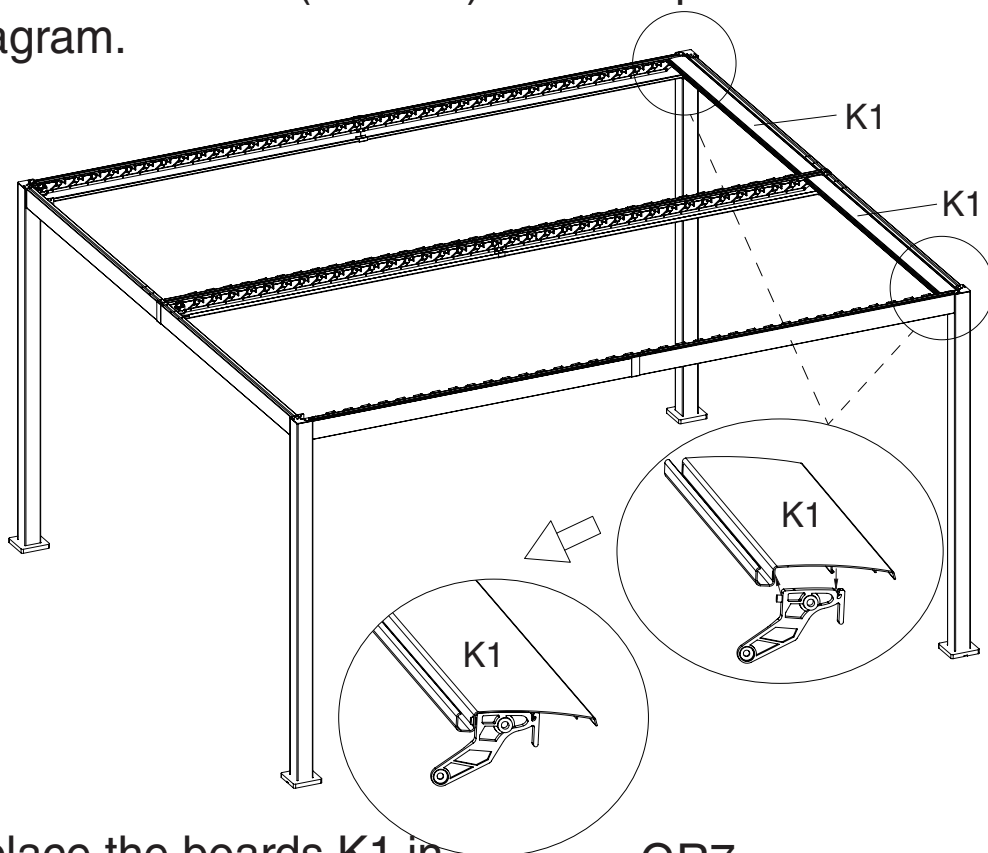
Tip:Ladders may be needed during this step.

Parts Required:

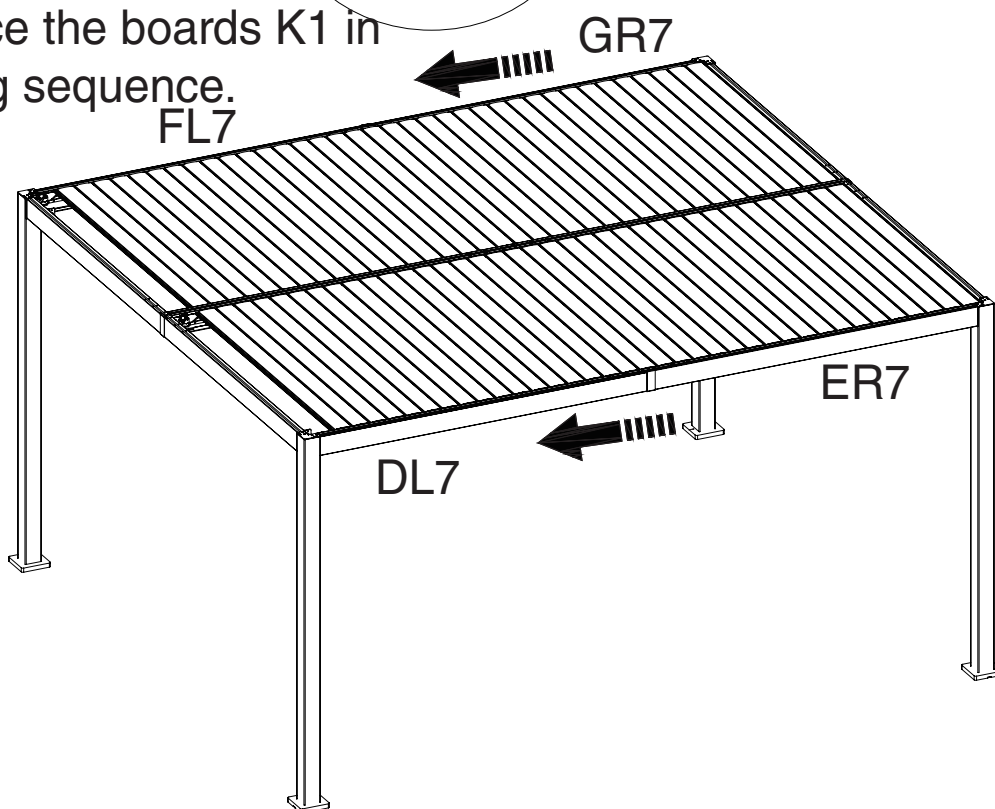


**Step 19:**

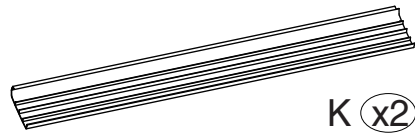
1. Put the Louver Boards (Part K1) on the top as shown in the diagram.



2. Please place the boards K1 in the following sequence.

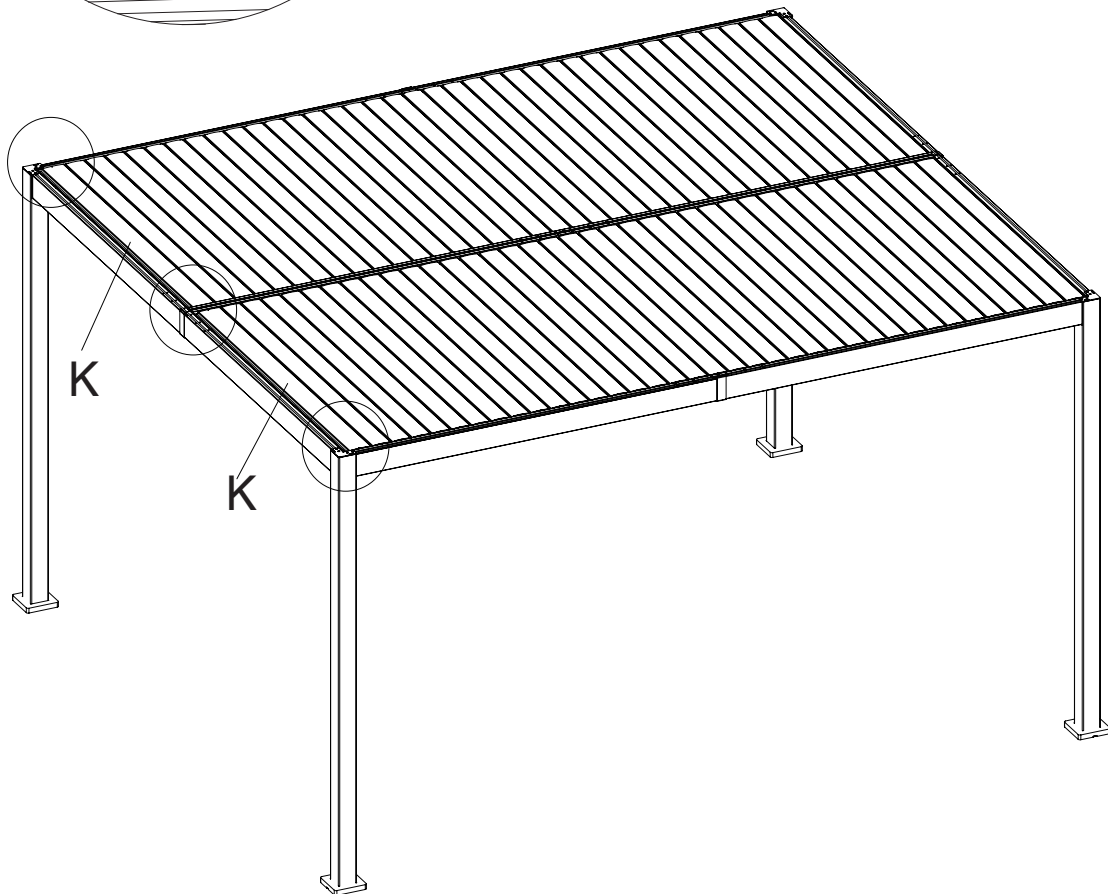
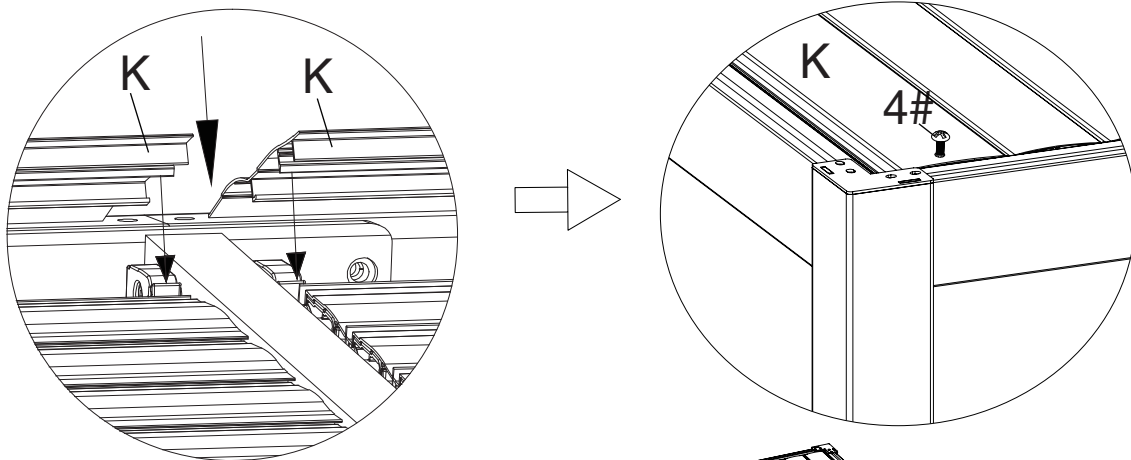


Parts Required:



**Step 20:**

Put the Louver Boards (Part K) on the top and use Screw 4# to secure them in place, as shown in the diagram

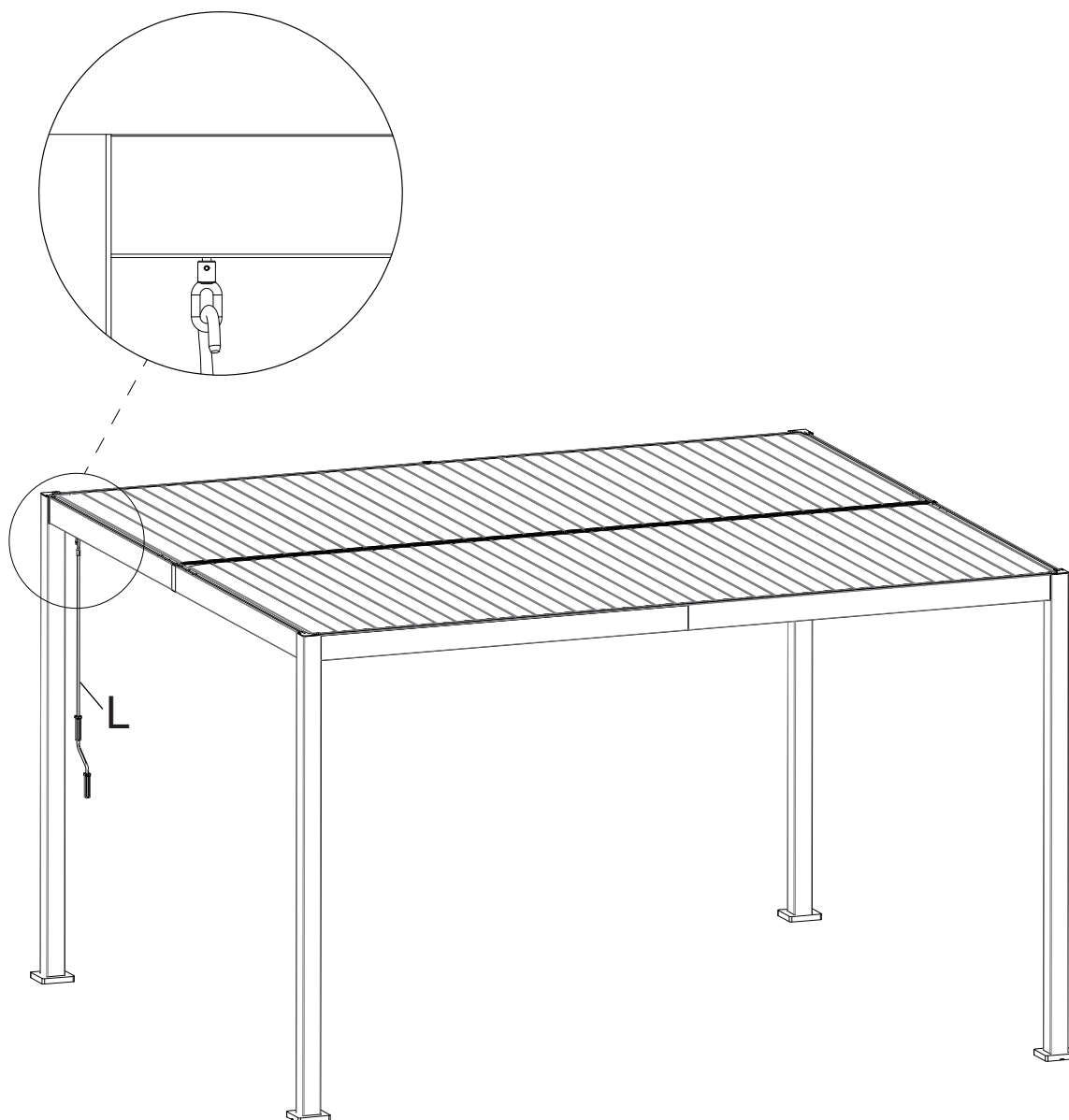


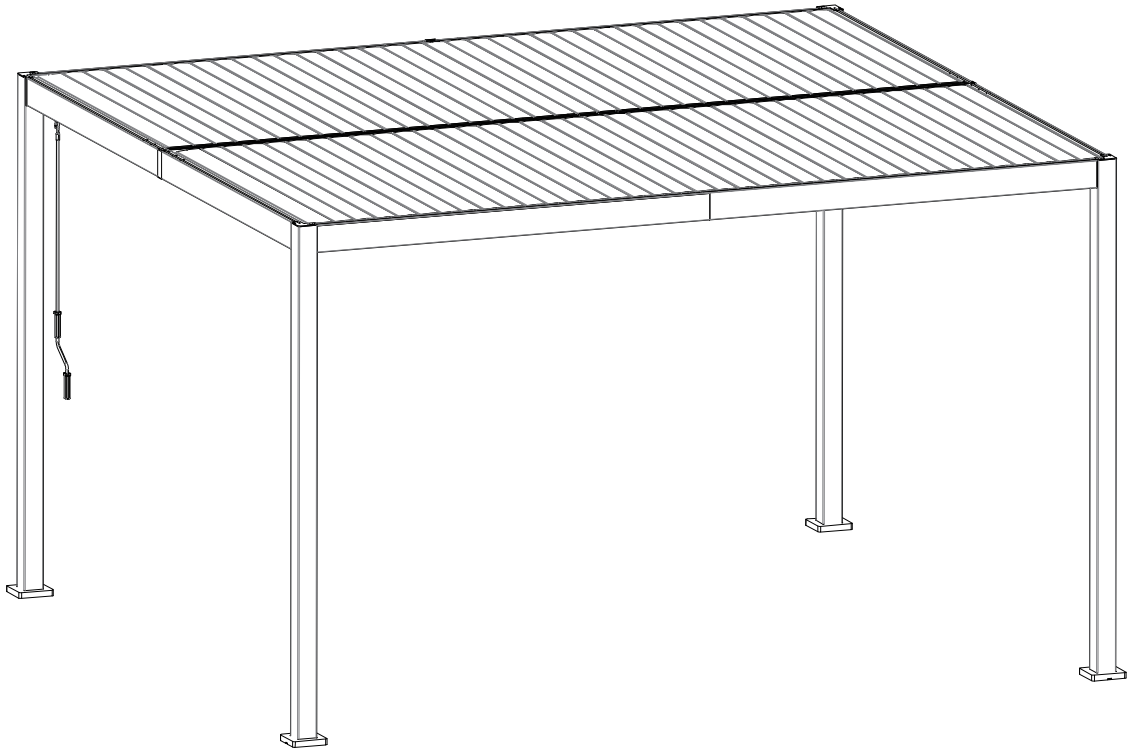
Parts Required:



**Step 21:**

Hang on Crank (Part L) on the Beam as shown in diagram.  
Then crank it to your desired open/close shade to enjoy your time.





## *Care and Warranty*

- Clean the frame components and fabric with a mild soap solution, then rinse thoroughly. Avoid using bleach, acid, or any other solvents on either the fabric or frame components.
- The louver boards, poles, bolts, and nuts come with a guarantee against defects in material and workmanship for one year from the date of purchase. However, the privacy curtain and mosquito netting are warranted for just 90 days. For a comprehensive warranty policy, please visit [www.koz-yard.com](http://www.koz-yard.com). Be aware that warranty terms can change without prior notification.
- For the best performance and safety of your gazebo, inspect and tighten all bolts and fasteners regularly



Enjoy Cozy Life!

As expert manufacturer of outdoor furniture, Kozyard remains committed to supporting you with parts and replacements, even beyond your warranty period. Don't hesitate to contact us directly if you are missing parts or need a replacement.

**SUPPORT:**

Toll free: 1-866-355-0018

[www.kozyard.com](http://www.kozyard.com)

email: [support@kozyard.com](mailto:support@kozyard.com)

**SOCIAL MEDIA:**



Follow us on Instagram

[www.instagram.com/kozyard](http://www.instagram.com/kozyard)

**KOZYARD LLC**