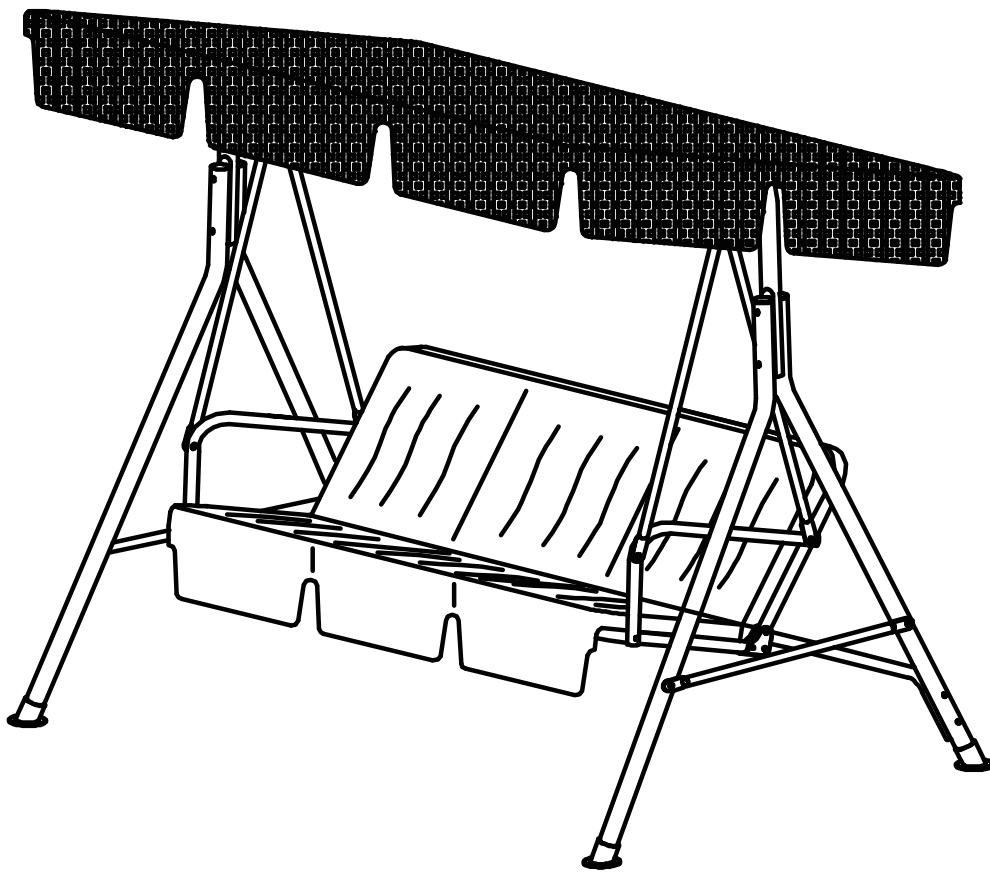




Enjoy Cozy Life!

ALICIA/OTTERBURN PATIO PORCH SWING

ASSEMBLY MANUAL



KOZYARD LLC PRODUCTS

WWW.KOZYARD.COM

© Copyright 2016 - 2023 Kozyard LLC. | All Rights Reserved.
Version:20231006

Assembly Instructions

- Prior to assembly, ensure that you lay out and identify all the parts listed in the parts list.
- Tighten all nuts and bolts securely. Hand-tighten all bolts before use. Avoid using power tools or applying excessive force during assembly and bolt tightening.
- Install at a minimum distance of 6 feet from any obstructions, such as fences, garages, houses, overhanging branches, laundry lines, or electrical wires.
- It is recommended to be at least 2 people for a safe assembly of the product.
- If you encounter any difficulties during assembly or if any part is missing or damaged, please don't hesitate to contact our customer service team via email at info@kozyard.com or by calling our toll-free number at 866-355-0018.

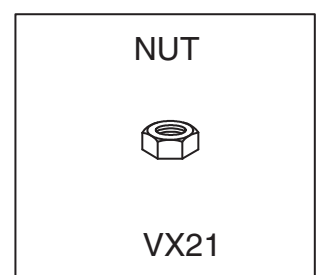
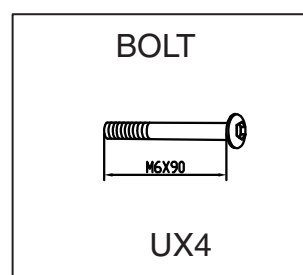
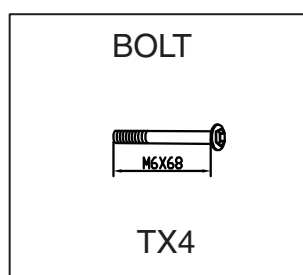
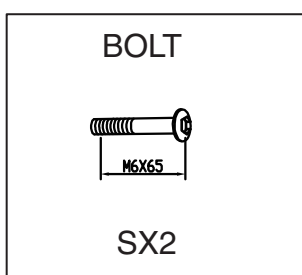
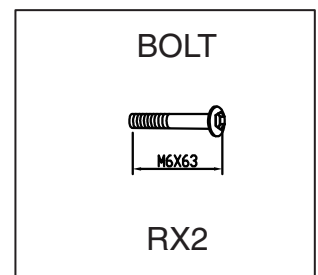
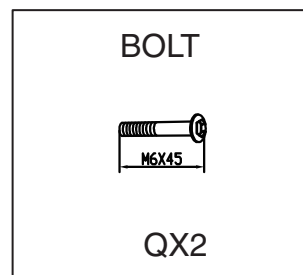
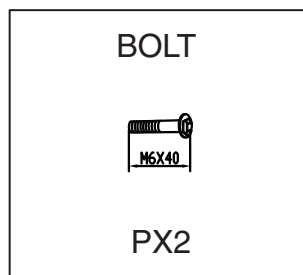
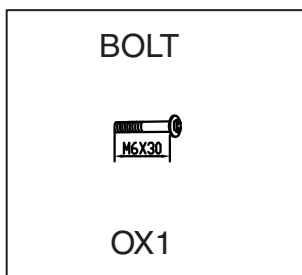
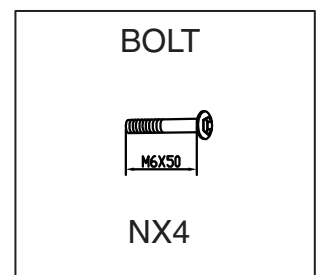
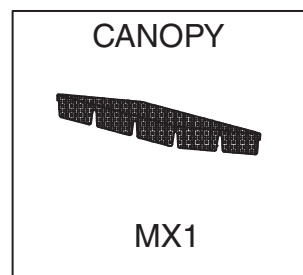
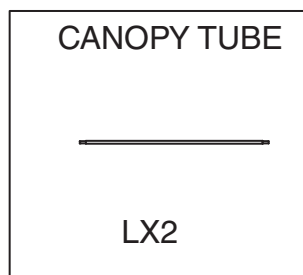
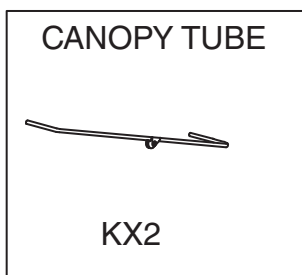
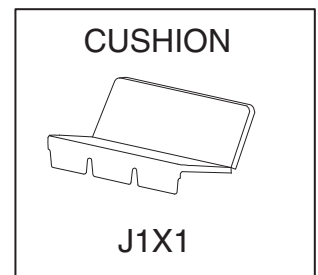
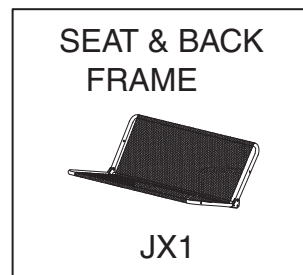
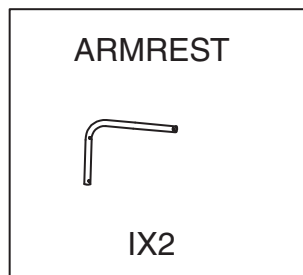
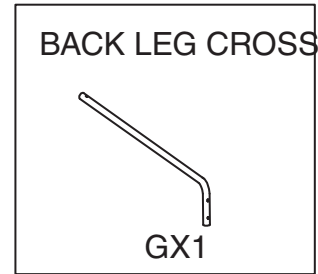
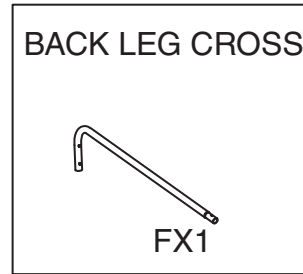
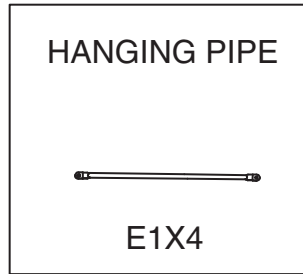
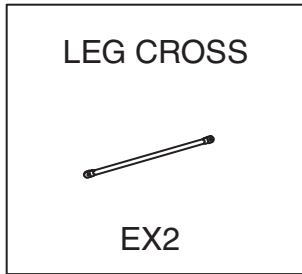
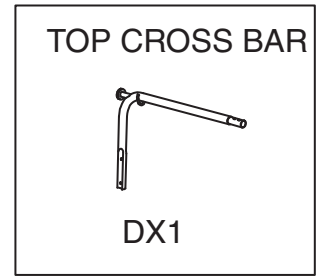
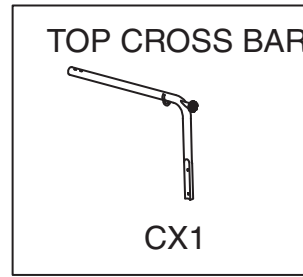
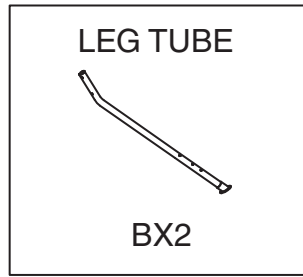
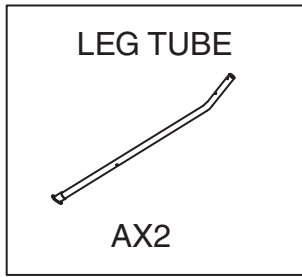
Care and warranty

- The weight capacity of this swing chair is 500 lbs.
- Clean the frame components and fabric with a mild soap solution, then rinse thoroughly. Avoid using bleach, acid, or any other solvents on either the fabric or frame components.
- For a comprehensive warranty policy, please visit www.kozyard.com. Be aware that warranty terms can change without prior notification.
- For the best performance and safety of your chair, inspect and tighten all bolts and fasteners regularly

Warning:

1. Do not kneel or stand on swing chair.
2. Do not exceed 500lbs weight limit.
3. Make sure swing is located on a solid level surface.
4. Put away the cushion when it's rain or snow.

Part list



Part list

WASHER



WX21

PLASTIC SCREW



YX2

PLASTIC END
CAP

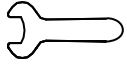


ZX21

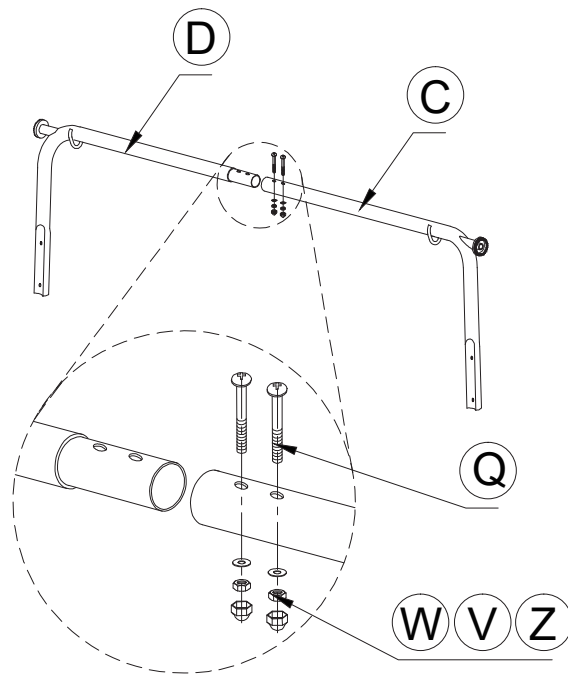
ALLEN KEY



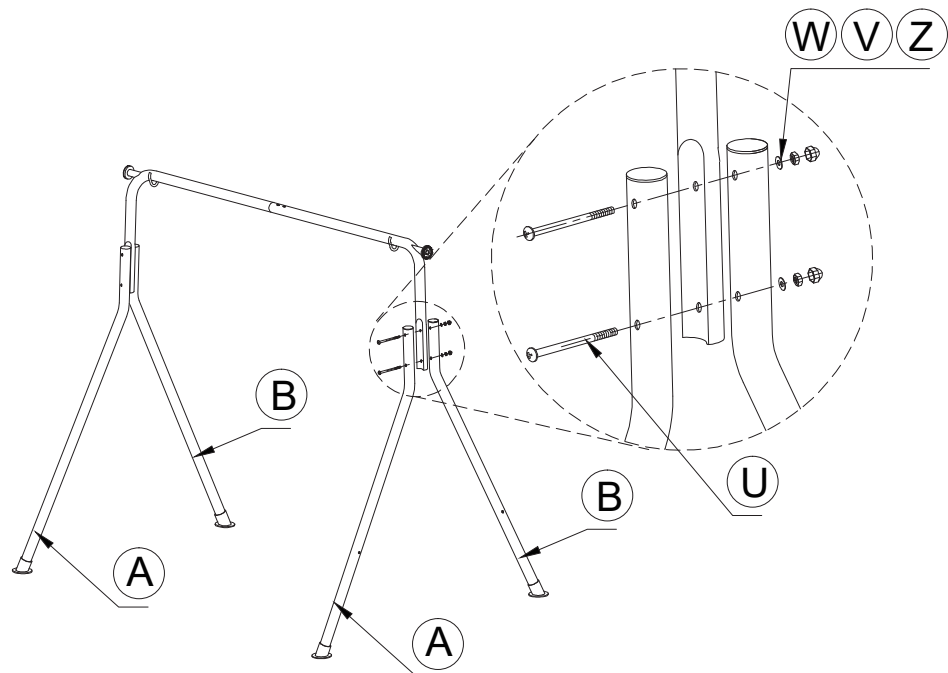
WRENCH



Step 1: Connect Part D and Part C to build the beam using Bolt Q, Washer W, Nut V, and Plastic End-Cap Z as shown in the diagram.

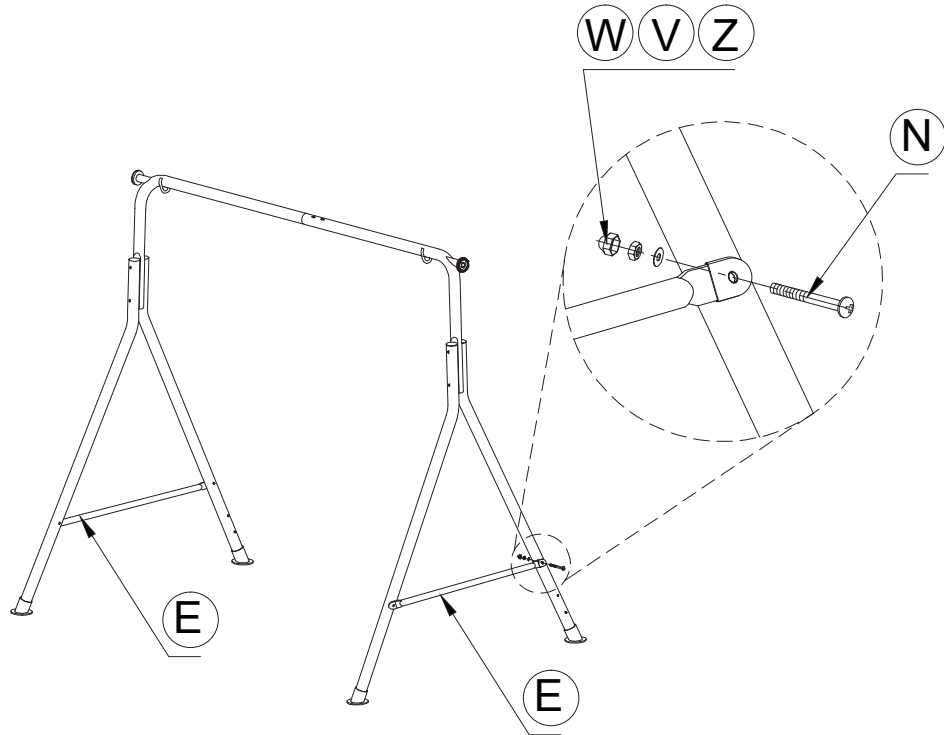


Step 2: Connect Part A and Part B with the beam using Bolt U, Washer W, Nut V, and Plastic End-Cap Z as shown in the diagram.

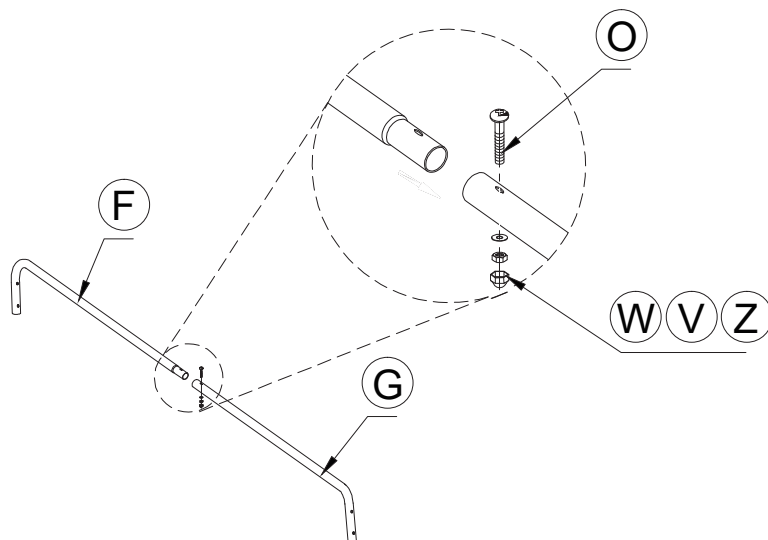


Attention: Both part A should be the same side, and both part B should be in the other side.

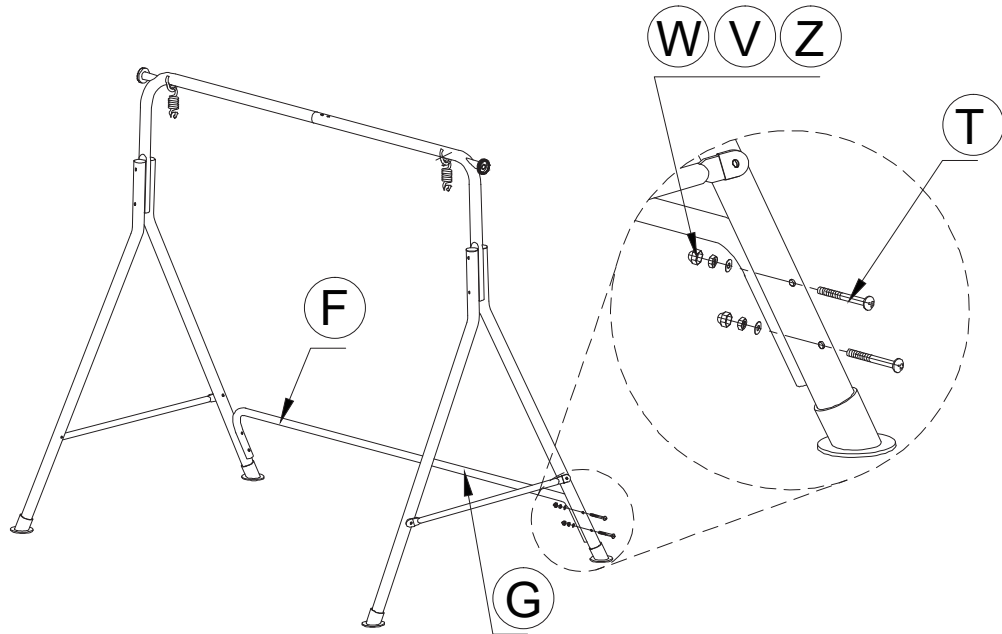
Step 3: Connect Part E to the legs (Part A and B) using Bolt N, Washer W, Nut V, and Plastic End-Cap Z as shown in the diagram.



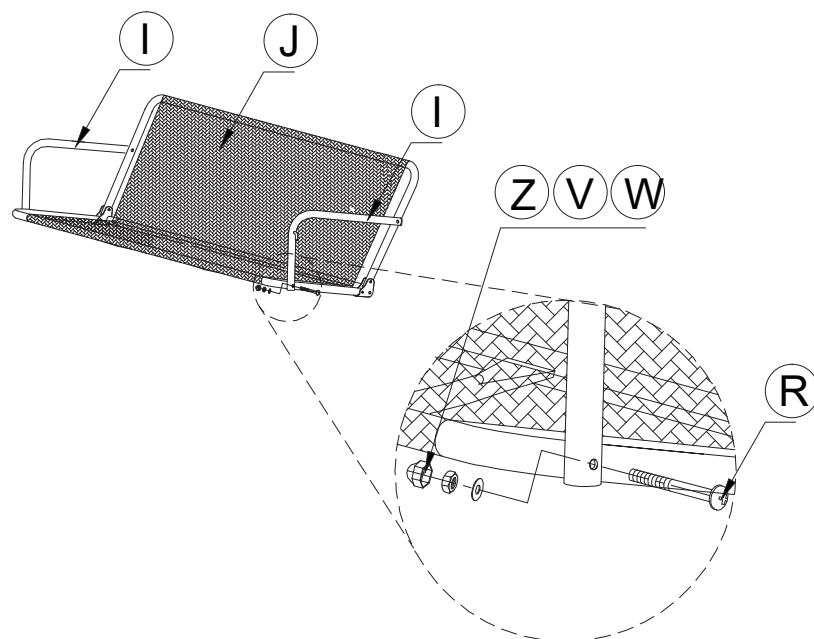
Step 4: Connect Part G and Part F to build a connection tube for the rear foot using Bolt O, Washer X, Nut W, and Plastic End-Cap Z as shown in the diagram.



Step 5: Connect the rear foot tube to Part B using Bolt T, Washer W, Nut V, and Plastic End-Cap Z as shown in the diagram.

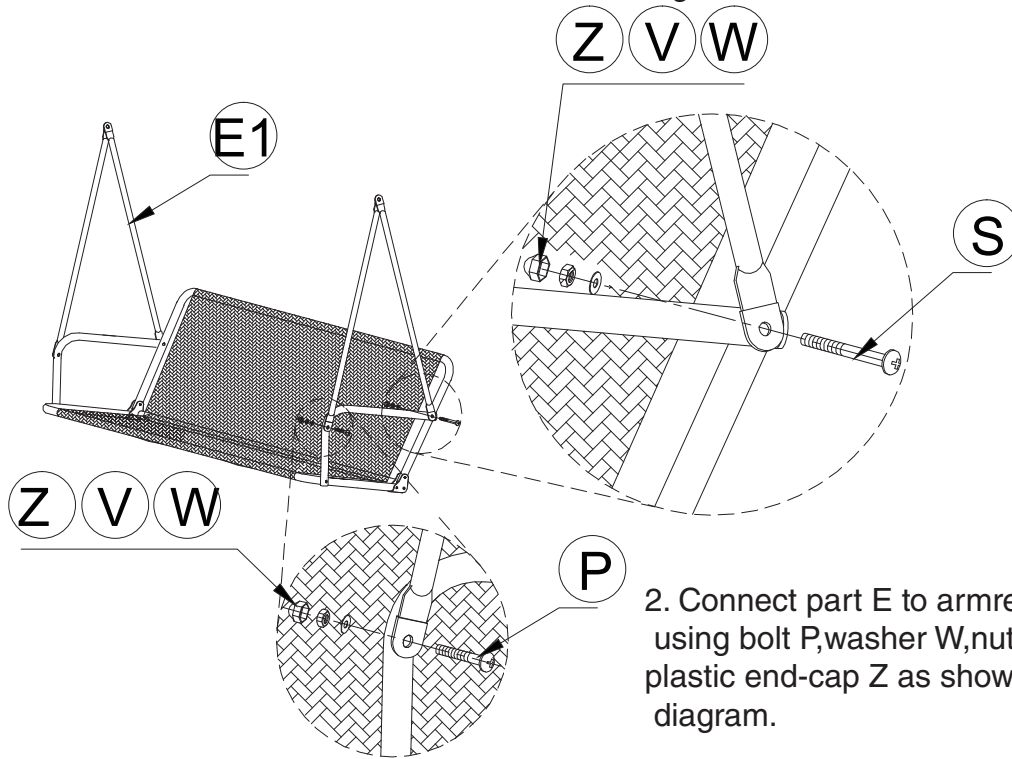


Step 6: Connect Part I and Part J using Bolt R, Washer W, Nut V, and Plastic End-Cap Z as shown in the diagram.



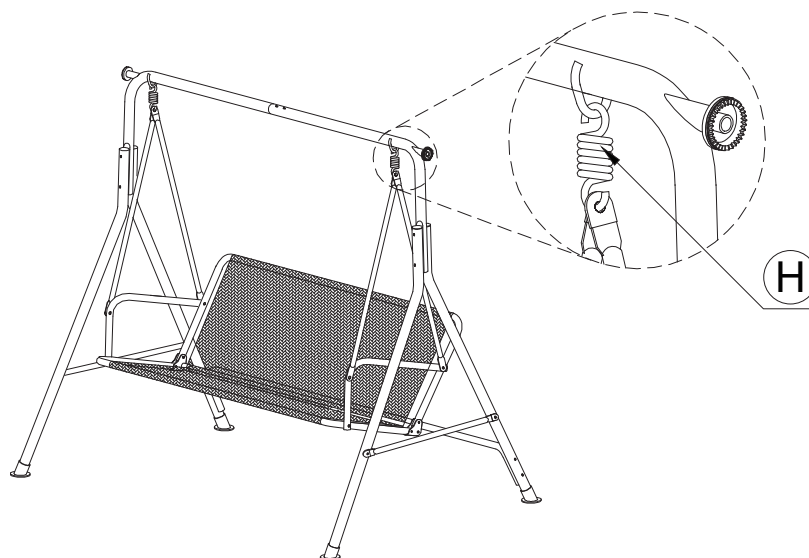
Step 7:

1. Connect part E with backseat (part J1) using bolt S, washer X, nut W and plastic end-cap Z as shown in diagram.

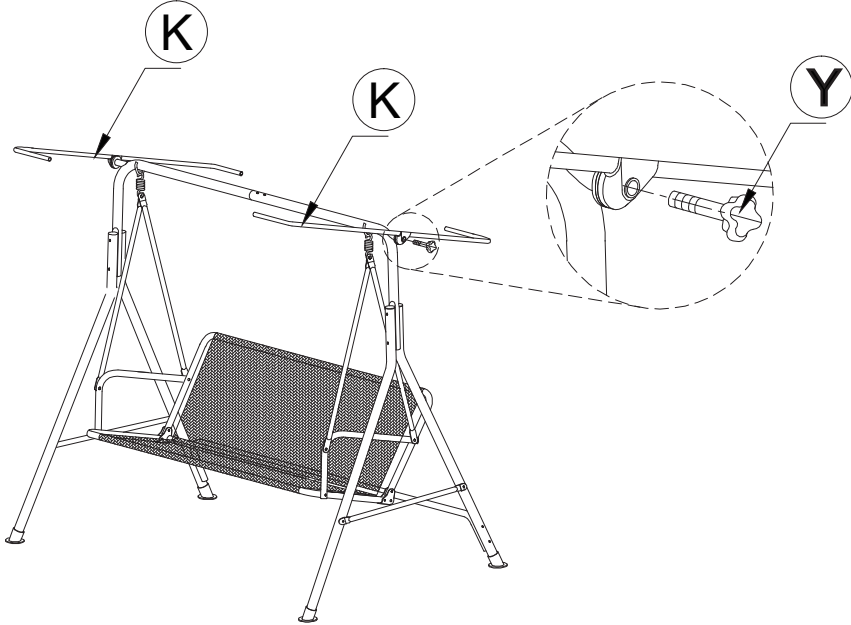


2. Connect part E to armrest (part I) using bolt P, washer W, nut V and plastic end-cap Z as shown in diagram.

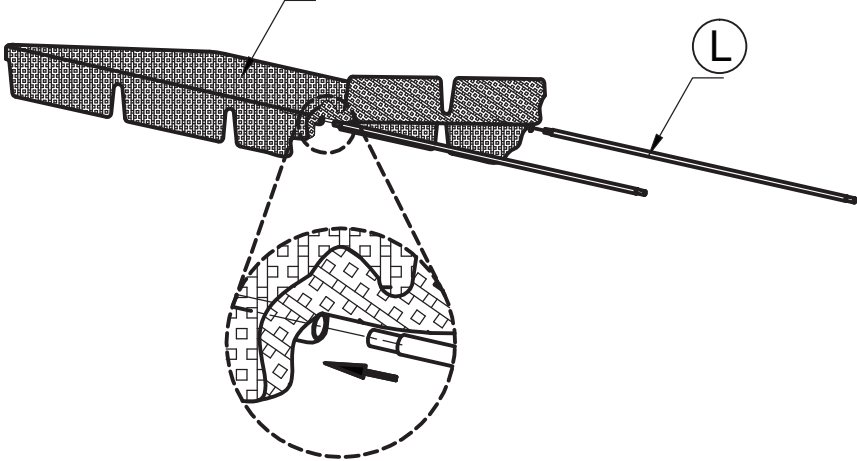
Step 8: Use part H to hook the seat to the frame.



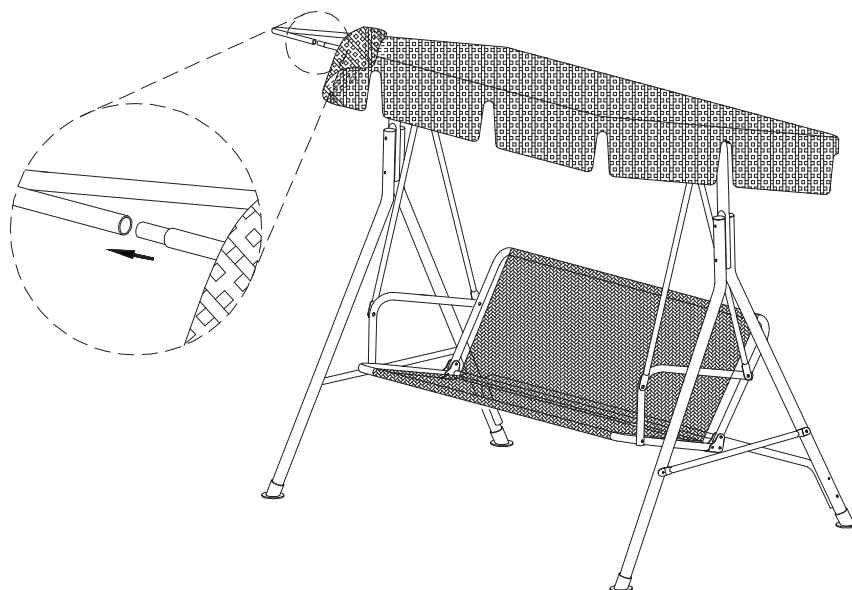
Step 9: Affix part K to beam using screw Y.



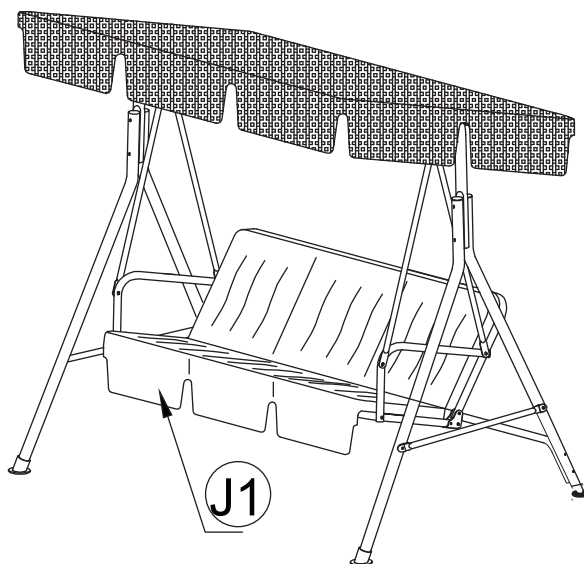
Step 10: Insert part L to canopy.



Step 11: Connect Part L and Part K to support canopy.



Step 12: 1. Put the cushion part J1 on the frame.
2. If it rains or snows, you must put away the cushion (Part J1).



Before using, make sure to check that all screws are securely tightened.



Enjoy Cozy Life!

SUPPORT:

Toll free: 866-355-0018

www.kozyard.com

email: support@kozyard.com

SOCIAL MEDIA:



Follow us on Instagram

www.instagram.com/kozyard

KOZYARD LLC