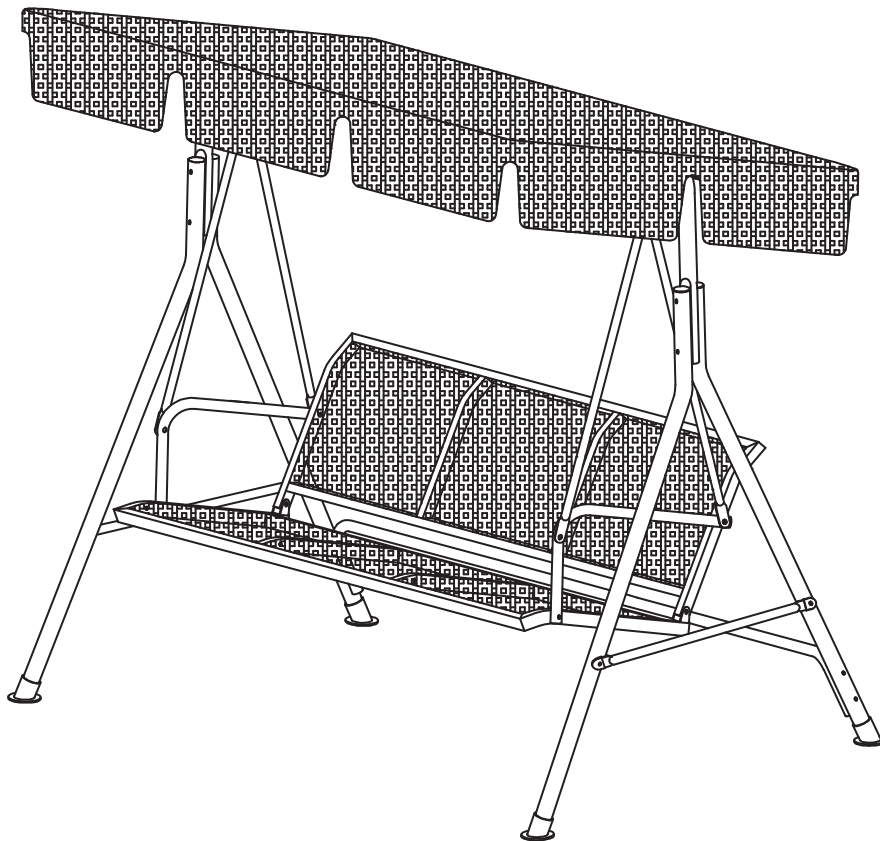




Enjoy Cozy Life!

ALICIA/OTTERBURN PATIO PORCH SWING

ASSEMBLY MANUAL



KOZYARD LLC PRODUCTS

WWW.KOZYARD.COM

© Copyright 2016 - 2023 Kozyard LLC. | All Rights Reserved.
Version:20231006

Assembly Instructions

- Prior to assembly, ensure that you lay out and identify all the parts listed in the parts list.
- Tighten all nuts and bolts securely. Hand-tighten all bolts before use. Avoid using power tools or applying excessive force during assembly and bolt tightening.
- Install at a minimum distance of 6 feet from any obstructions, such as fences, garages, houses, overhanging branches, laundry lines, or electrical wires.
- It is recommended to be at least 2 people for a safe assembly of the product.
- If you encounter any difficulties during assembly or if any part is missing or damaged, please don't hesitate to contact our customer service team via email at info@kozyard.com or by calling our toll-free number at 866-355-0018.

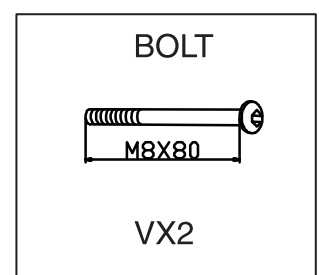
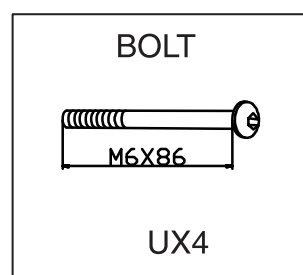
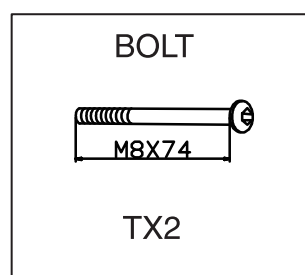
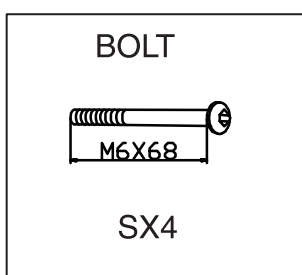
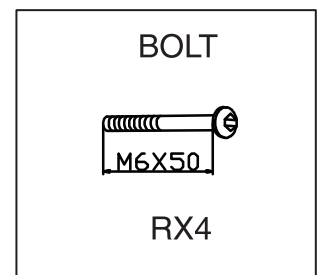
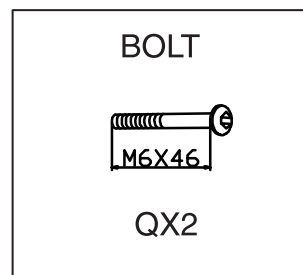
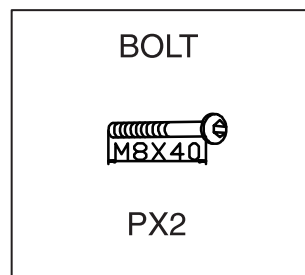
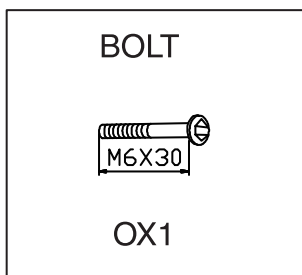
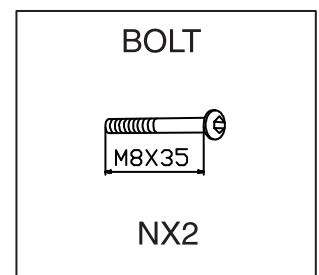
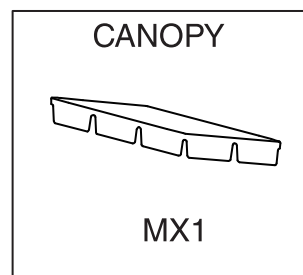
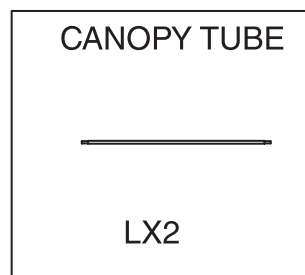
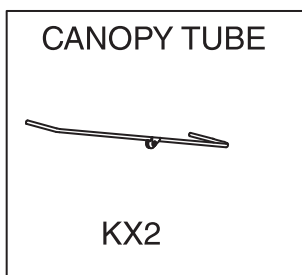
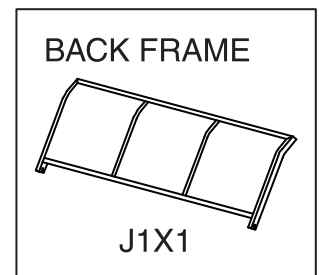
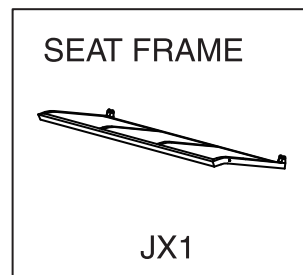
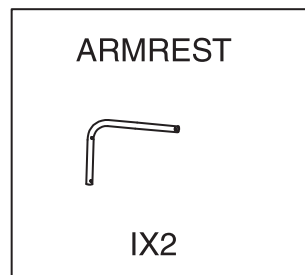
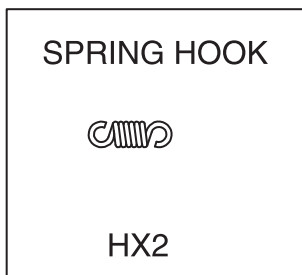
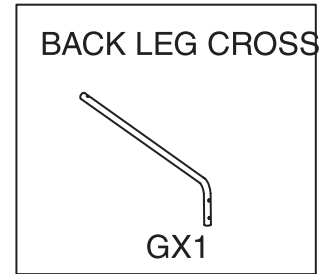
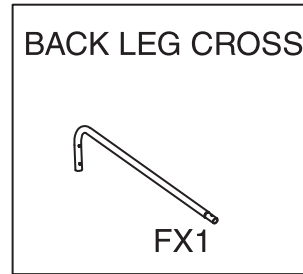
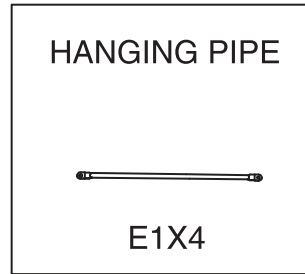
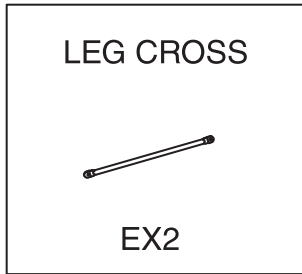
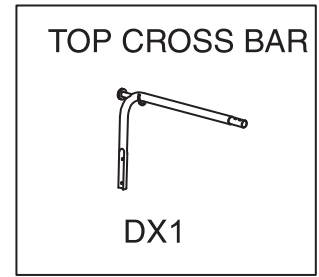
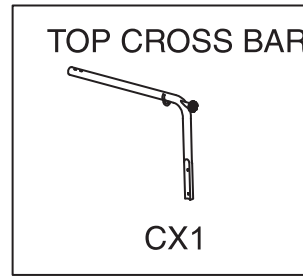
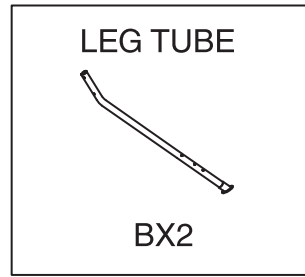
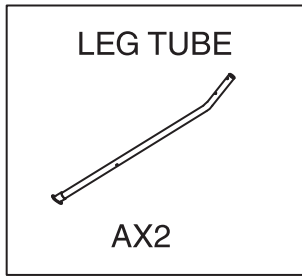
Care and warranty

- The weight capacity of this swing chair is 500 lbs.
- Clean the frame components and fabric with a mild soap solution, then rinse thoroughly. Avoid using bleach, acid, or any other solvents on either the fabric or frame components.
- For a comprehensive warranty policy, please visit www.kozyard.com. Be aware that warranty terms can change without prior notification.
- For the best performance and safety of your chair, inspect and tighten all bolts and fasteners regularly

Warning:

1. Do not kneel or stand on swing chair.
2. Do not exceed 500lbs weight limit.
3. Make sure swing is located on a solid level surface.
4. Put away the cushion when it's rain or snow.

Part list



Part list

NUT



M6X15
M8X8

W

WASHER



M6X15
M8X8

X

PLASTIC SCREW



YX2

PLASTIC END
CAP



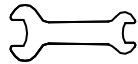
M6X15
M8X8

Z

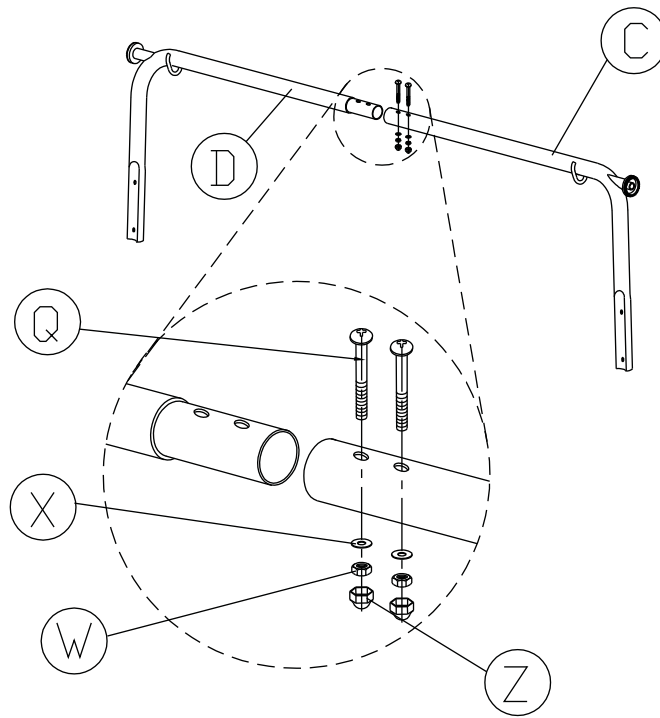
ALLEN KEY



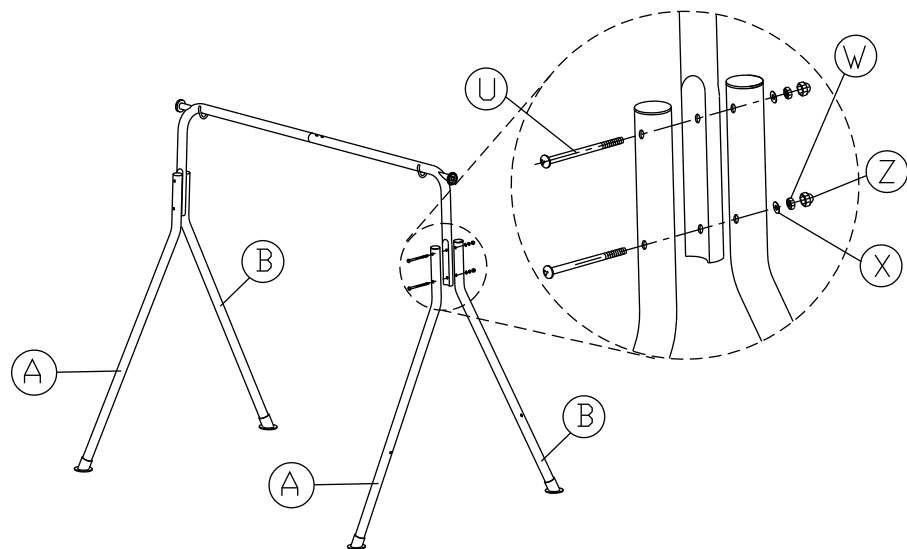
WRENCH



Step 1: Connect Part D and Part C to build the beam using Bolt Q, Washer X, Nut W, and Plastic End-Cap Z as shown in the diagram.

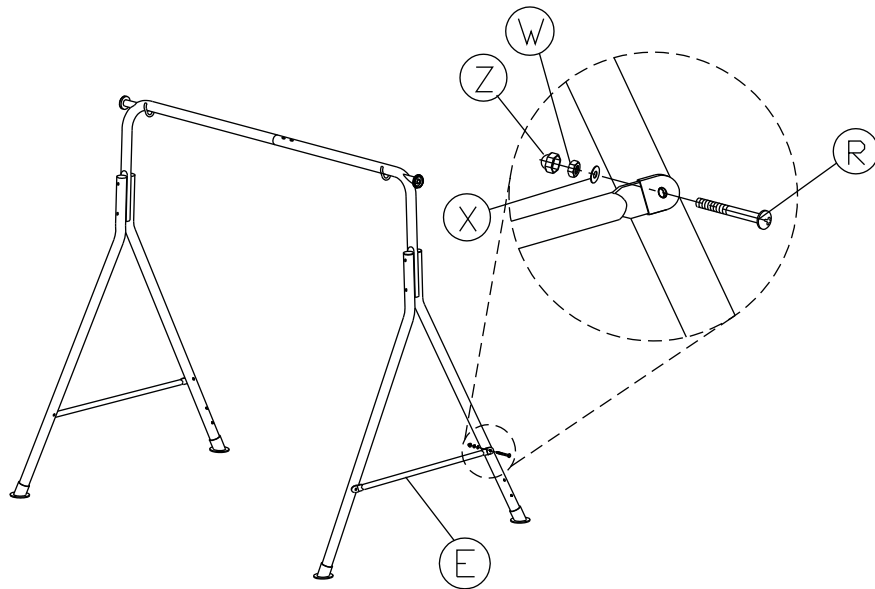


Step 2: Connect Part A and Part B with the beam using Bolt U, Washer X, Nut W, and Plastic End-Cap Z as shown in the diagram.

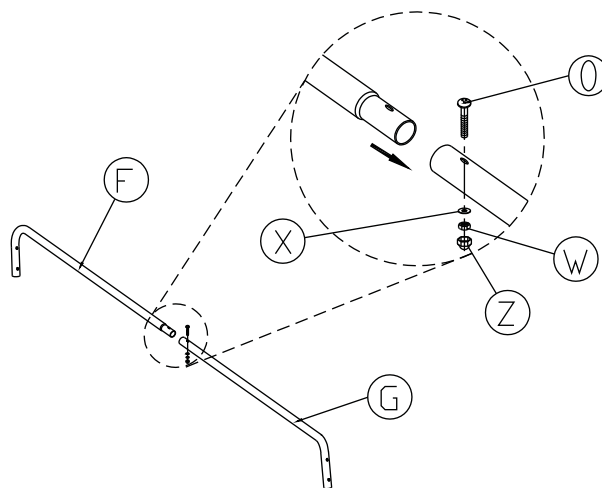


Attention: Both part A should be the same side, and both part B should be in the other side.

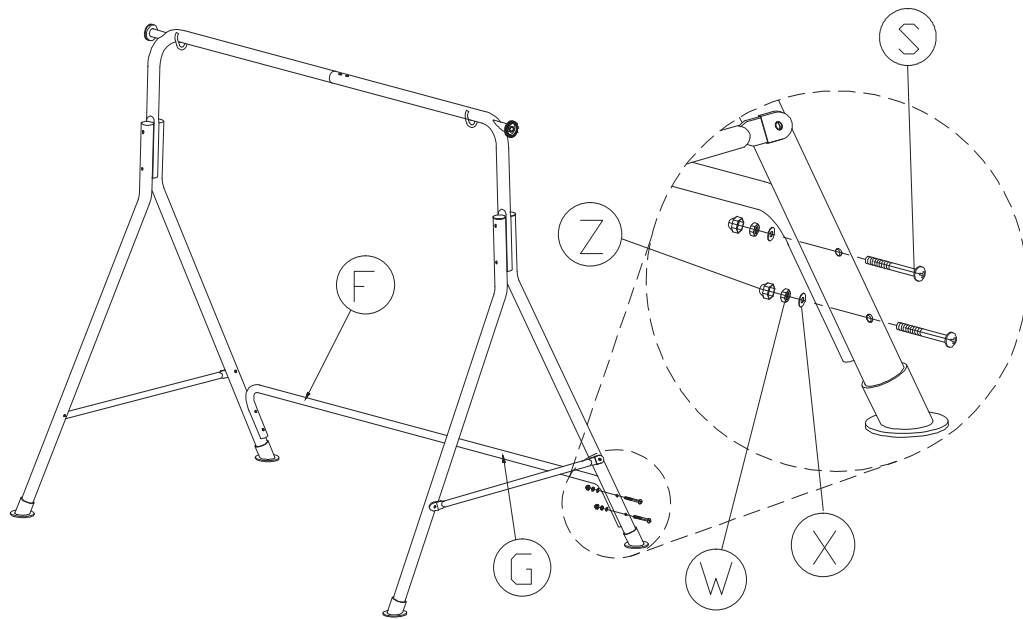
Step 3: Connect Part E to the legs (Part A and B) using Bolt R, Washer X, Nut W, and Plastic End-Cap Z as shown in the diagram.



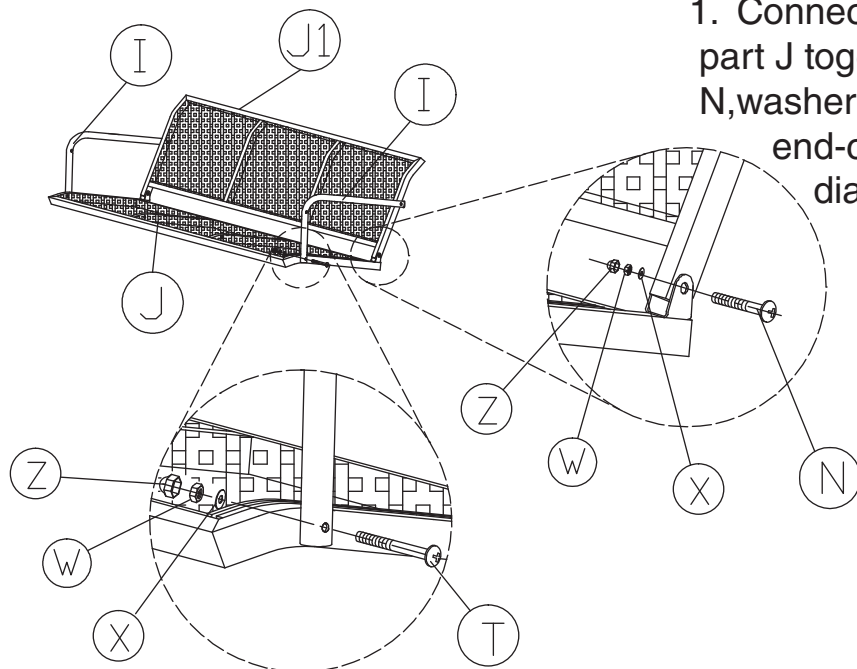
Step 4: Connect Part G and Part F to build a connection tube for the rear foot using Bolt O, Washer X, Nut W, and Plastic End-Cap Z as shown in the diagram.



Step 5: Connect the rear foot tube to Part B using Bolt S, Washer X, Nut W, and Plastic End-Cap Z as shown in the diagram.



Step 6: Set up seat&back together

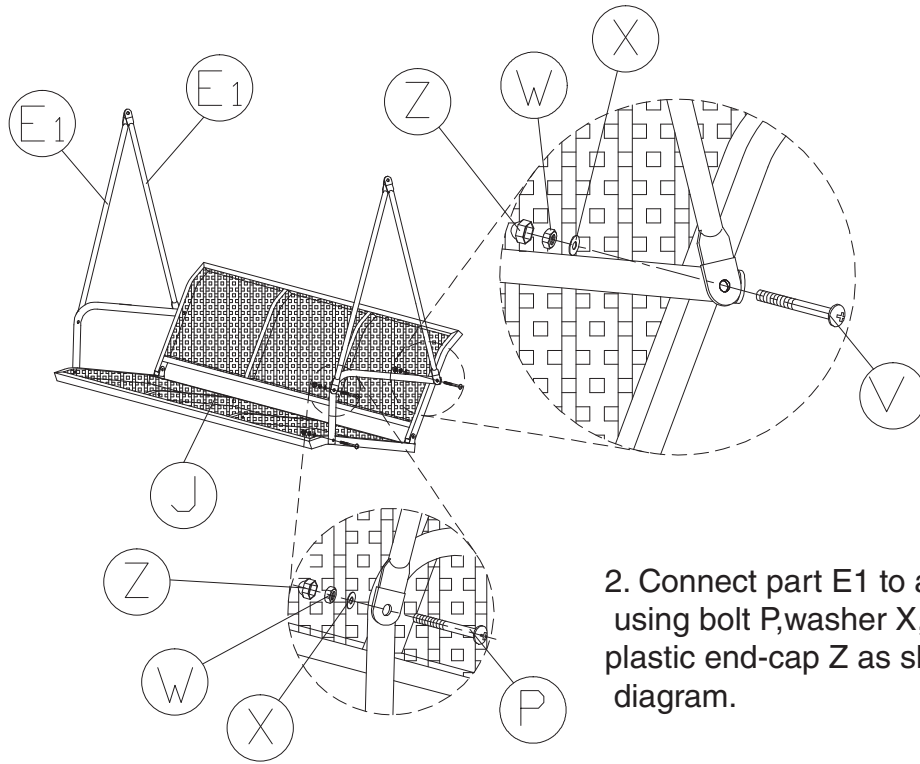


1. Connect part J1 and part J together using bolt N, washer X, nut W and plastic end-cap Z as shown in diagram.

2. Connect part I and part J using bolt T washer X, nut W and plastic end-cap Z as shown in diagram.

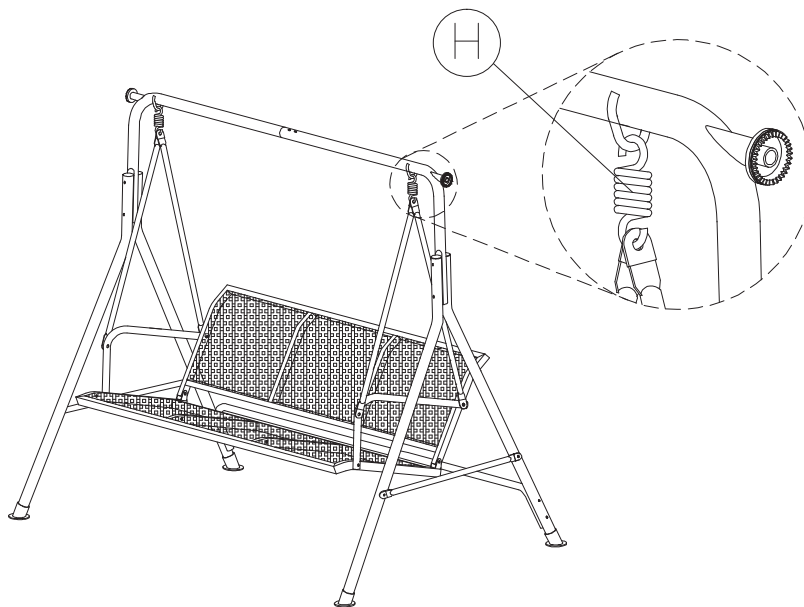
Step 7:

1. Connect part E1 with backseat (part J1) using bolt V, washer X, nut W and plastic end-cap Z as shown in diagram.

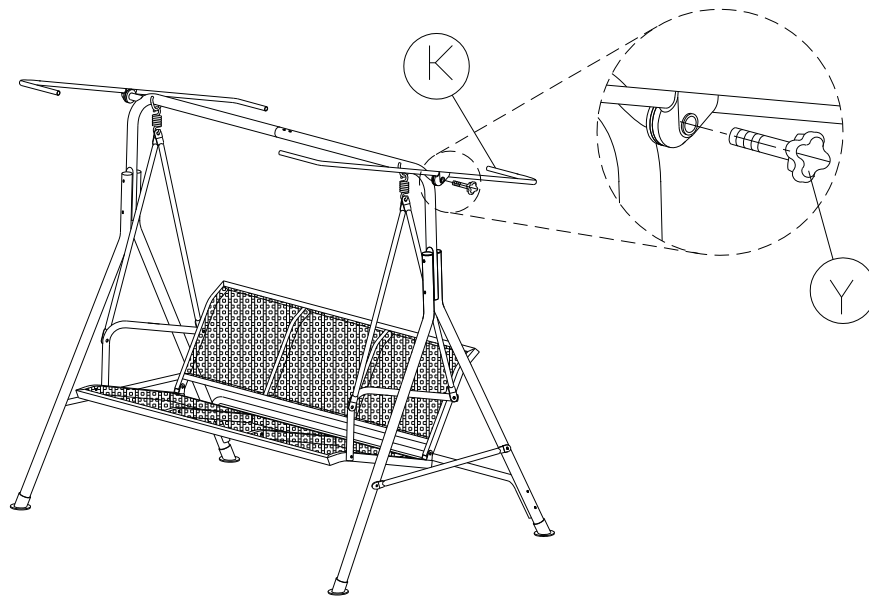


2. Connect part E1 to armrest (part I) using bolt P, washer X, nut W and plastic end-cap Z as shown in diagram.

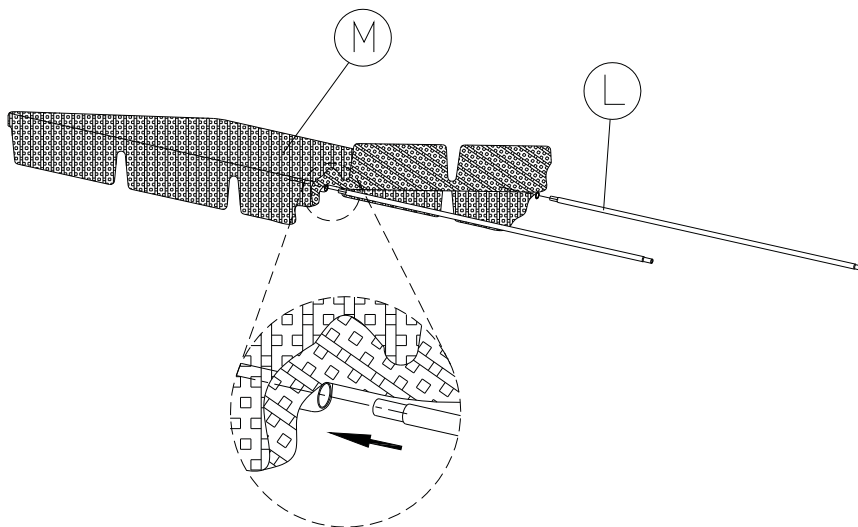
Step 8: Use part H to hook the seat to the frame.



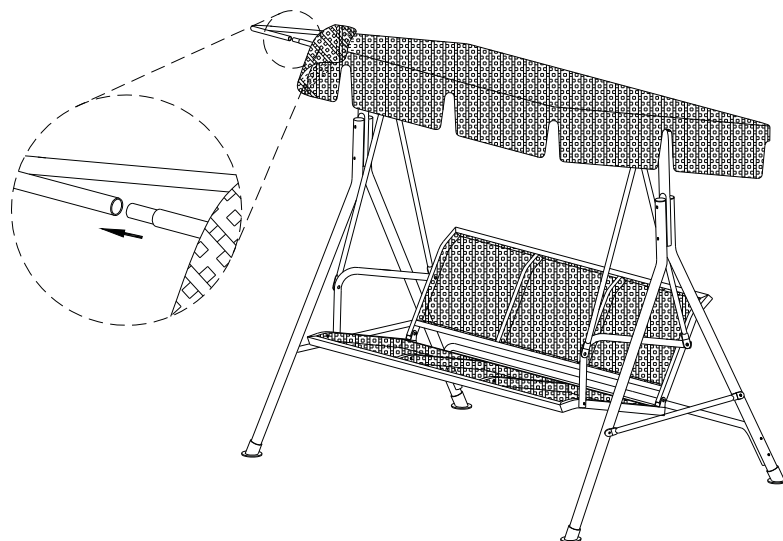
Step 9: Affix part K to beam using screw Y.



Step 10: Insert part L to canopy.



Step 11: Connect Part L and Part K to support canopy.
Before using, make sure to check that all screws are securely tightened.





Enjoy Cozy Life!

SUPPORT:

Toll free: 866-355-0018

www.kozyard.com

email: support@kozyard.com

SOCIAL MEDIA:



Follow us on Instagram

www.instagram.com/kozyard

KOZYARD LLC