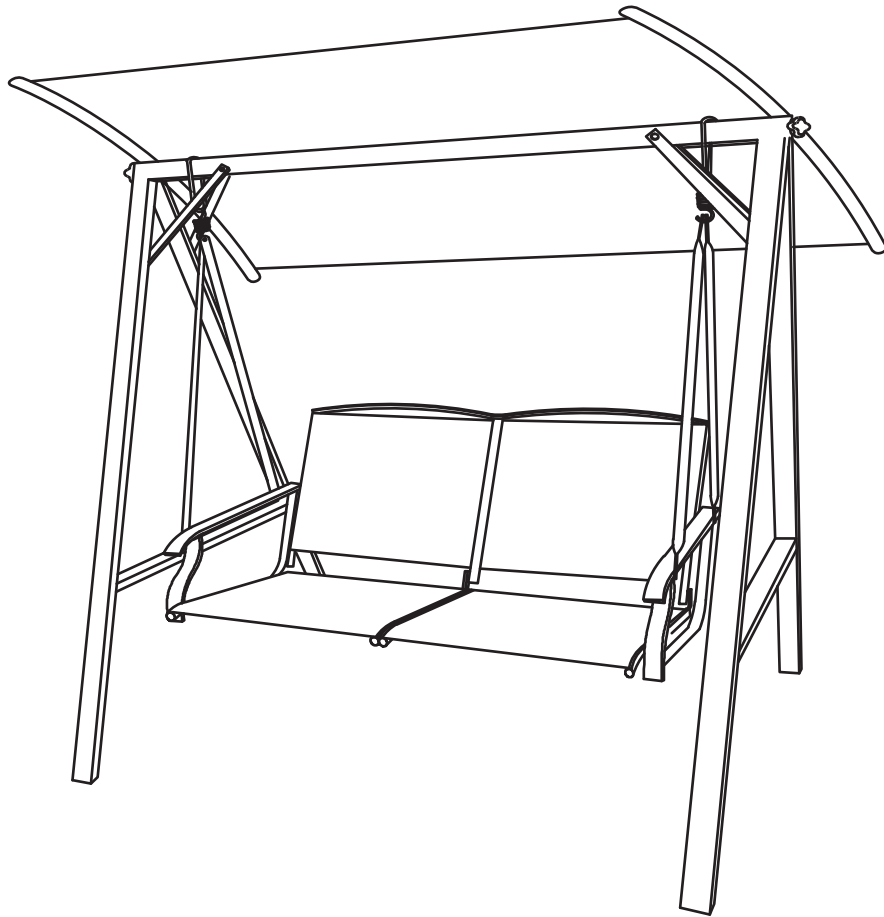




Enjoy Cozy Life!

# DORIS 2-SEAT SWING CHAIR ASSEMBLY MANUAL



**KOZYARD LLC PRODUCTS**

**[WWW.KOZYARD.COM](http://WWW.KOZYARD.COM)**

© Copyright 2016 - 2023 Kozyard LLC. | All Rights Reserved.  
Version:20231006

## ***Assembly Instructions***

- Prior to assembly, ensure that you lay out and identify all the parts listed in the parts list.
- Tighten all nuts and bolts securely. Hand-tighten all bolts before use. Avoid using power tools or applying excessive force during assembly and bolt tightening.
- Install at a minimum distance of 6 feet from any obstructions, such as fences, garages, houses, overhanging branches, laundry lines, or electrical wires.
- It is recommended to be at least 2 people for a safe assembly of the product.
- If you encounter any difficulties during assembly or if any part is missing or damaged, please don't hesitate to contact our customer service team via email at [info@kozyard.com](mailto:info@kozyard.com) or by calling our toll-free number at 866-355-0018.

## ***Care and warranty***

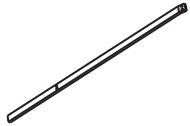
- The weight capacity of this swing chair is 450 lbs.
- Clean the frame components and fabric with a mild soap solution, then rinse thoroughly. Avoid using bleach, acid, or any other solvents on either the fabric or frame components.
- For a comprehensive warranty policy, please visit [www.kozyard.com](http://www.kozyard.com). Be aware that warranty terms can change without prior notification.
- For the best performance and safety of your chair, inspect and tighten all bolts and fasteners regularly

## ***Warning:***

1. Do not kneel or stand on swing chair.
2. Do not exceed 450lbs weight limit.
3. Make sure swing is located on a solid level surface.

# PART LIST

LEG TUBE



AX4

CROSS BAR



BX2

TOP BAR



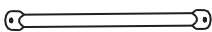
CX1

ARMREST



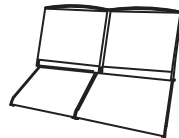
DX2

HANGING TUBE



EX4

SEAT



FX1

SIDE BRACE



GX2

SPRING HOOK



HX2

CANOPY



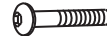
IX1

BOLT (M6\*35)



JX16

BOLT (M6\*40)



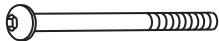
KX2

BOLT (M6\*45)



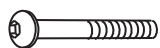
LX2

BOLT (M6\*82)



MX4

BOLT (M6\*55)



NX4

ROOF SCREW



OX2

NUT



PX14

WASHER



QX28

NUT CAP



RX14

SPACER



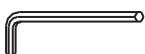
SX2

BOLT CAP



TX28

ALLEN KEY



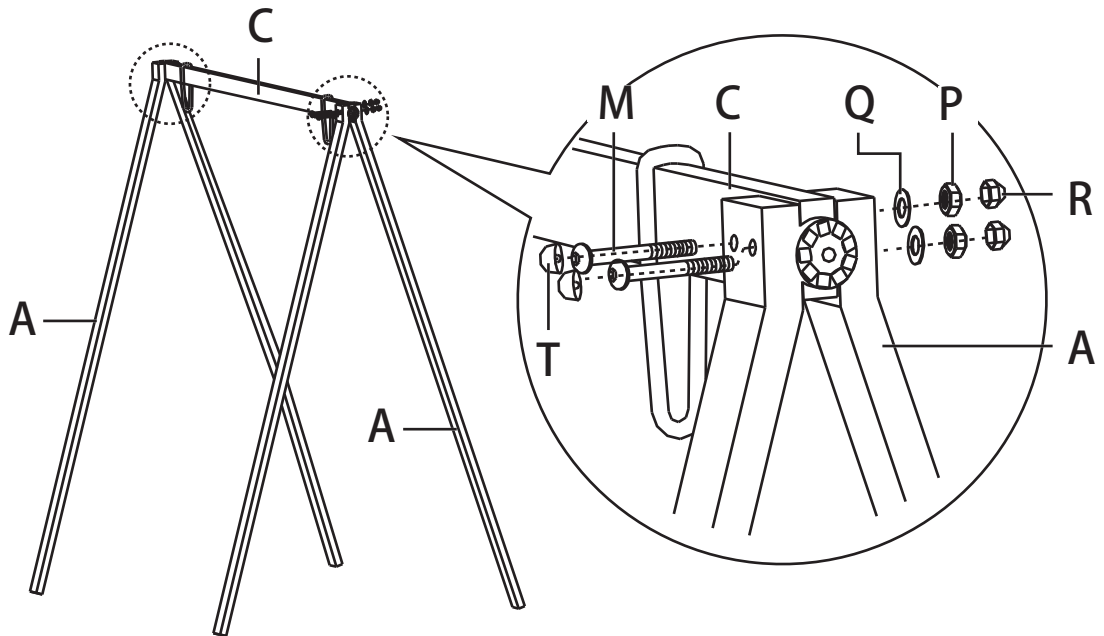
UX1

WRENCH

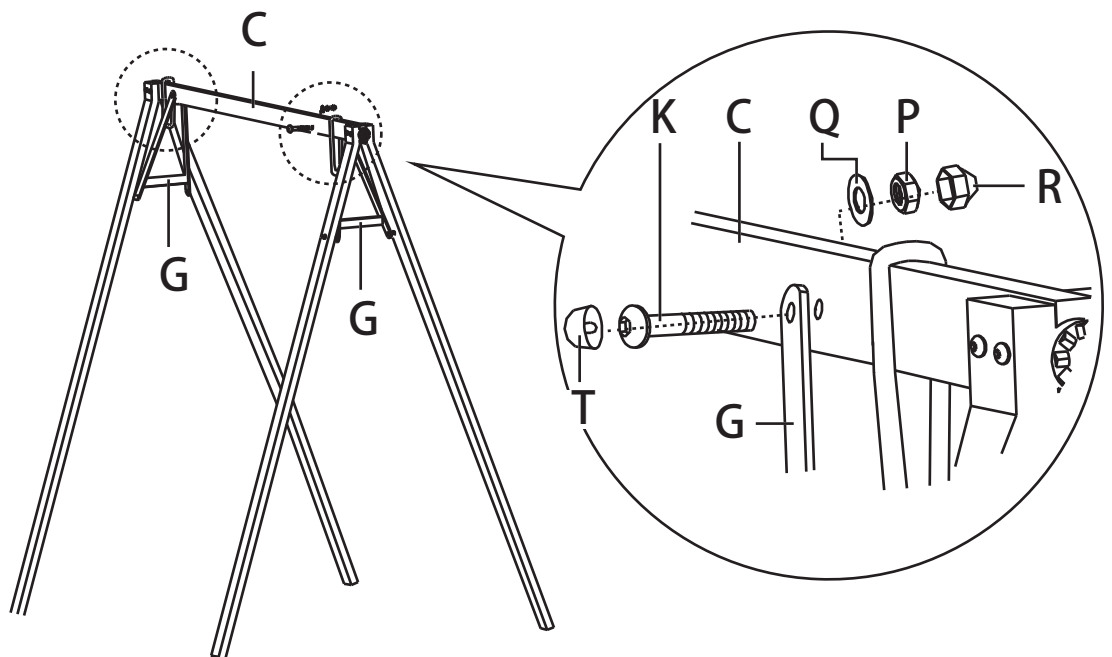


VX1

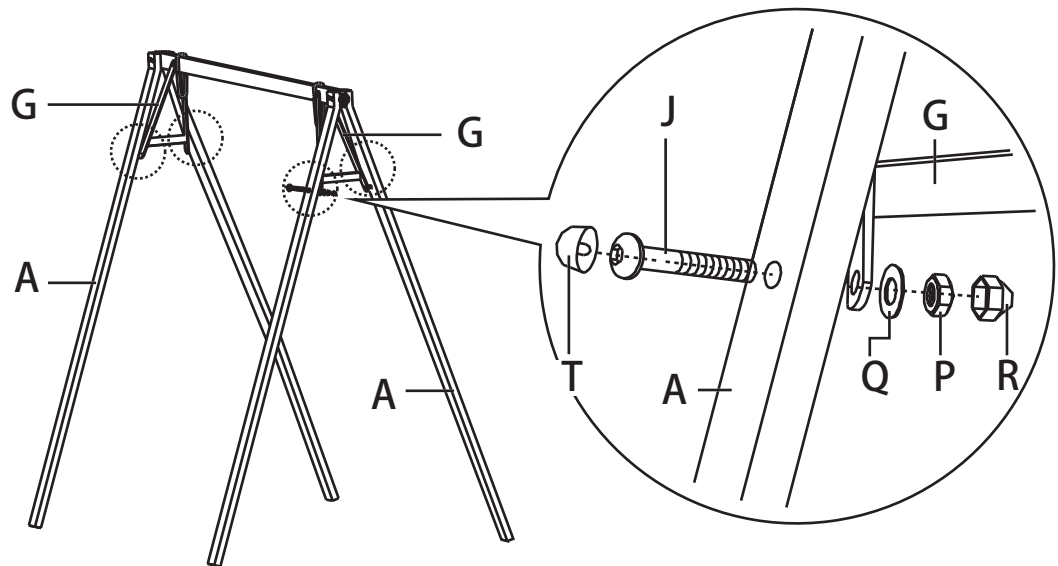
- Step 1:**
- Align the two holes at one end of the Top Bar (C) with the two holes at the top of the Leg Tube (A) and the two holes at the top of the Leg Tube (A) on the other side.
  - Insert the Bolt (M) through the Leg Tube (A), Top Bar (C), Leg Tube (A), and into Washer (Q) and Nut (P) for each hole.
  - Repeat this step on the other side of the frame as shown in the diagram."



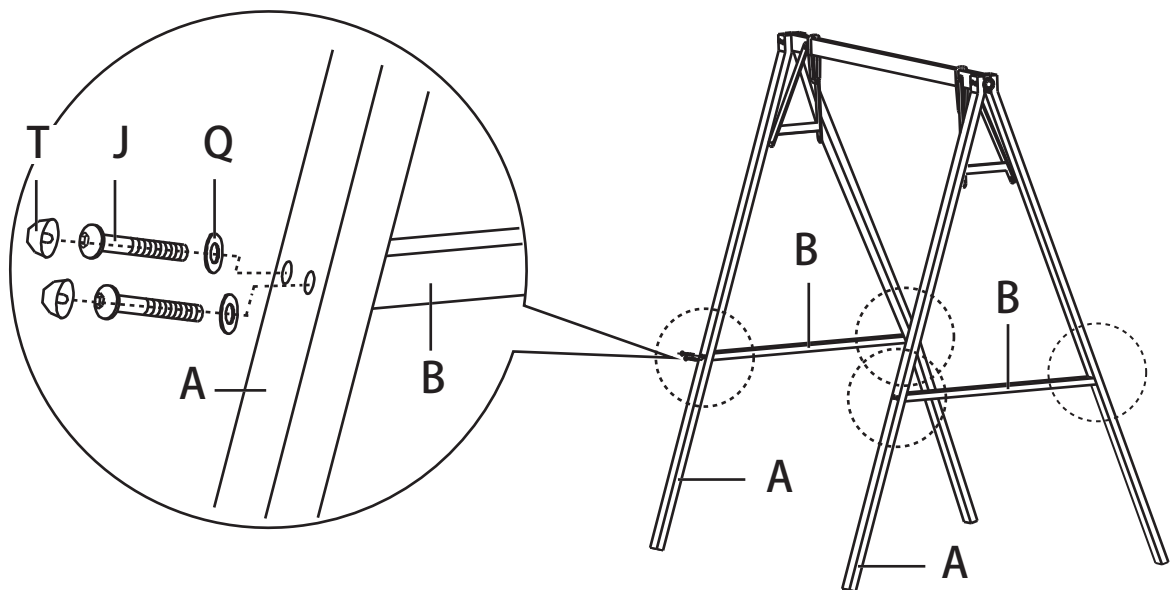
- Step 2:** Connect Side Brace (G) to Top Bar (C) using Bolt (K), Washer (Q) and Nut (P). Repeat this step on the other side of the frame as shown in diagram.



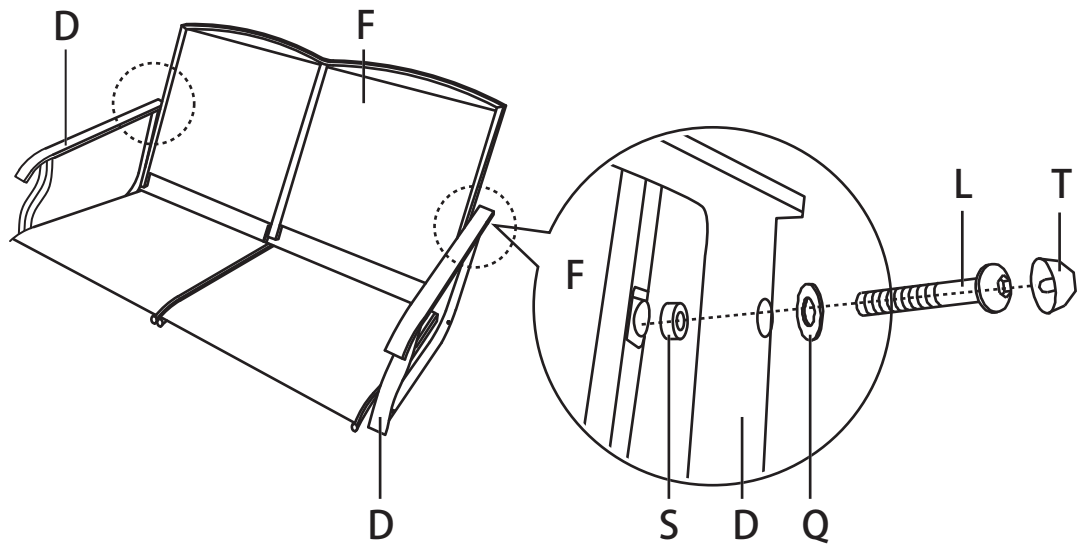
**Step 3:** Connect Side Brace (G) to Leg Tube (A) using Bolt (J), Washer (Q) and Nut (P). Repeat this step on the other side of the frame as shown in diagram.



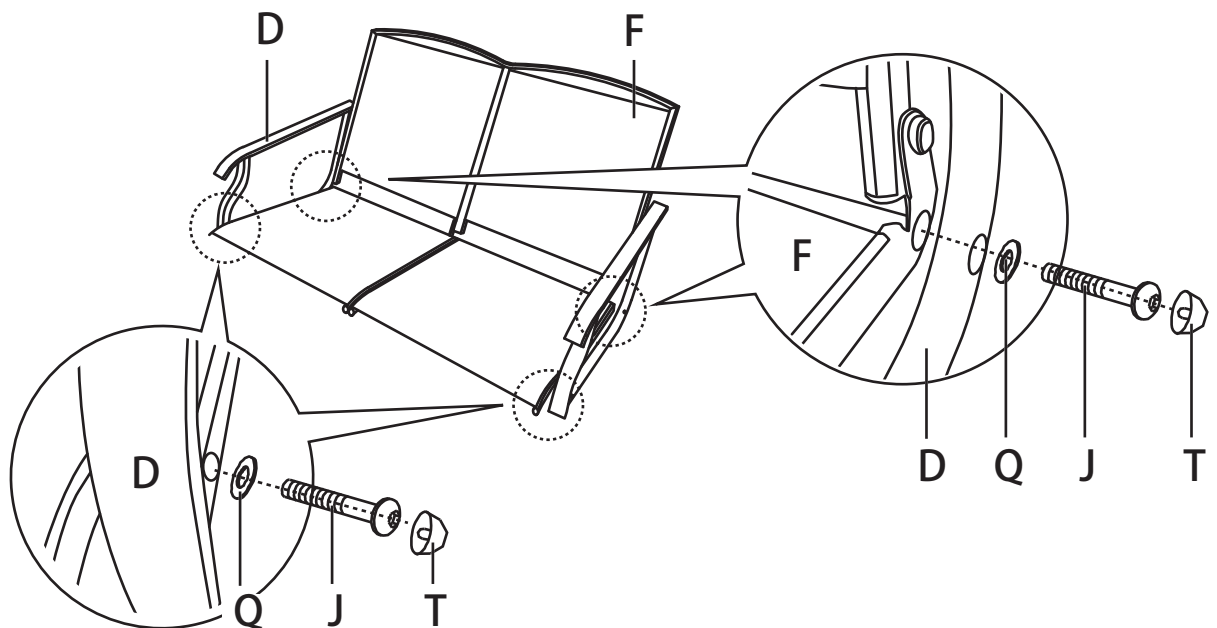
**Step 4:** Adjust the angle of the two legs. Place a Cross Bar (B) between the two leg tubes at one end of the frame, aligning the bolt holes. For each hole in the front and back legs, insert Bolt (J) and Washer (Q) through the Leg Tube (A) and into the Cross Bar (B). Repeat this step for the Cross Bar (B) between the other Leg Tubes (A) as shown in the diagram.



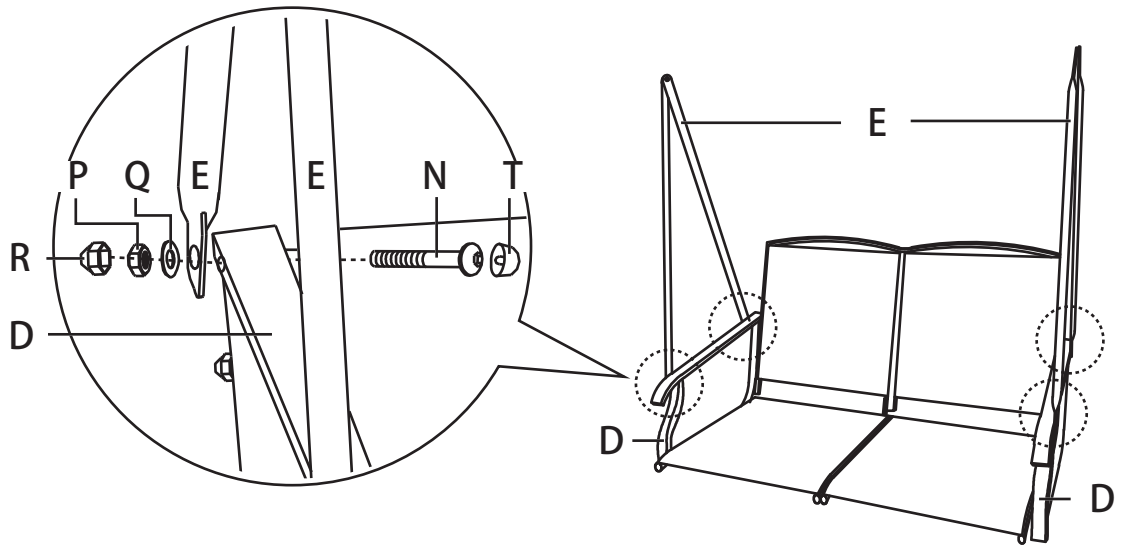
**Step 5:** Align the holes on the Armrest (D) with the holes on the side of the Seat (F). Insert Bolt (L) from outside through the hole on the Armrest (D), Washer (Q), Spacer (S) and the hole on the side of the Seat (F). Repeat this step on the other side as shown in diagram.



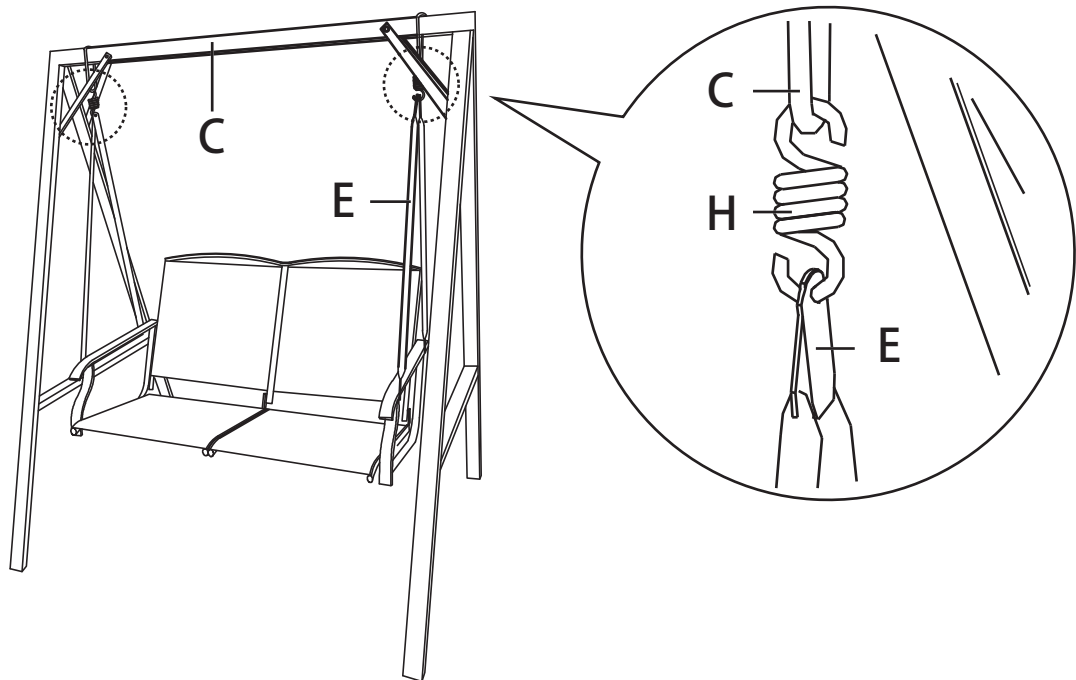
**Step 6:** Align the holes on the Armrest (D) with the holes on the side of the Seat (F). For each hole, insert Bolt (J) from outside through the hole on the Armrest (D), Washer (Q) and the hole on the side of the Seat (F). Repeat this step on the other side as shown in diagram.



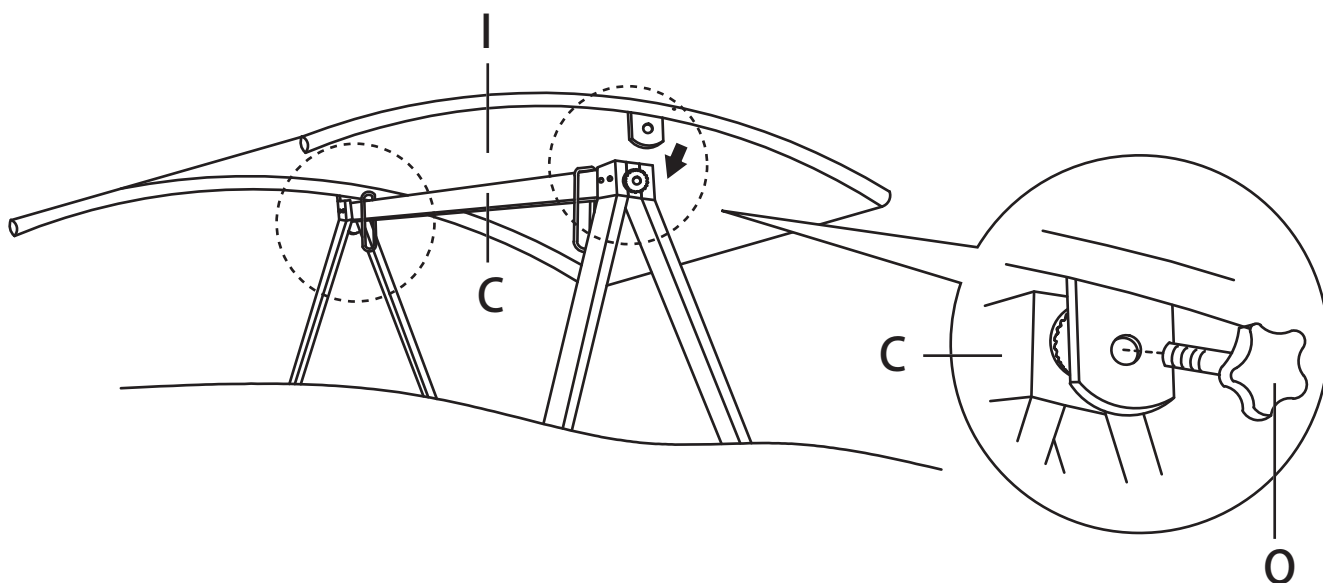
**Step 7:** Attach the Hanging Tube (E) to the Armrest (D) with Bolt (N), Washer(Q) and Nut (P). Repeat this step at each connection as shown in diagram.



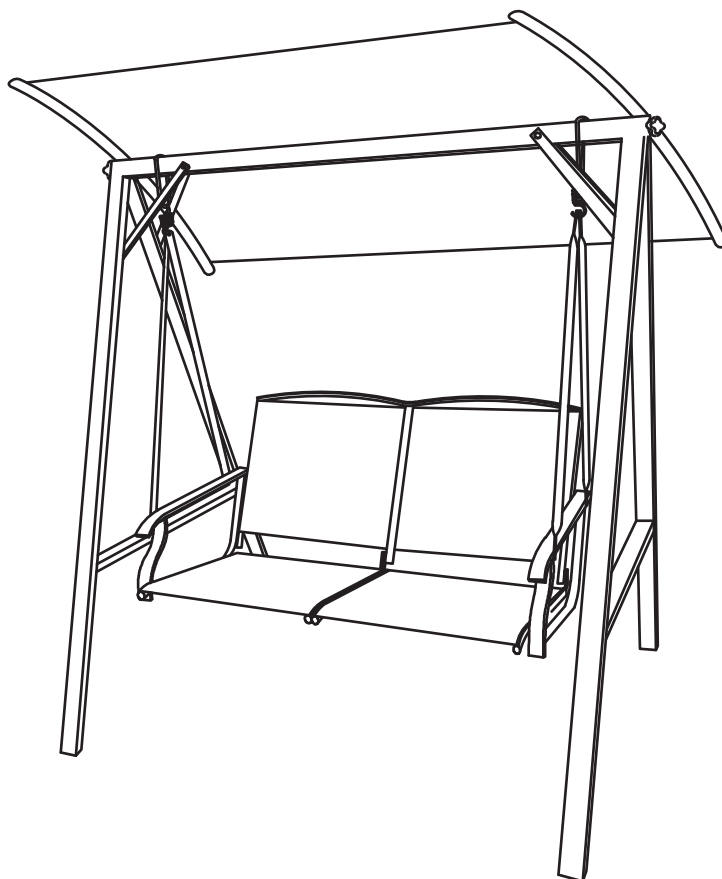
**Step 8:** Attach the Spring Hook (H) to the end of Hanging Tube (E) and attach the Spring Hook (H) to the leg structure previously assembled in step 4.



**Step 9:** Attach the Canopy (I) to the Top Bar (C) with the Roof Screw (O) as shown in diagram. The assembly of the product is now complete.



**Step 10:** Securely tighten all bolts and cover all Nut Caps (R) and Bolt Caps (T) before use on level, solid ground.







Enjoy Cozy Life!

**SUPPORT:**

Toll free : 866-355-0018

[www.kozyard.com](http://www.kozyard.com)

email: [support@kozyard.com](mailto:support@kozyard.com)

**SOCIAL MEDIA:**



Follow us on Instagram

[www.instagram.com/kozyard](http://www.instagram.com/kozyard)

**KOZYARD LLC**