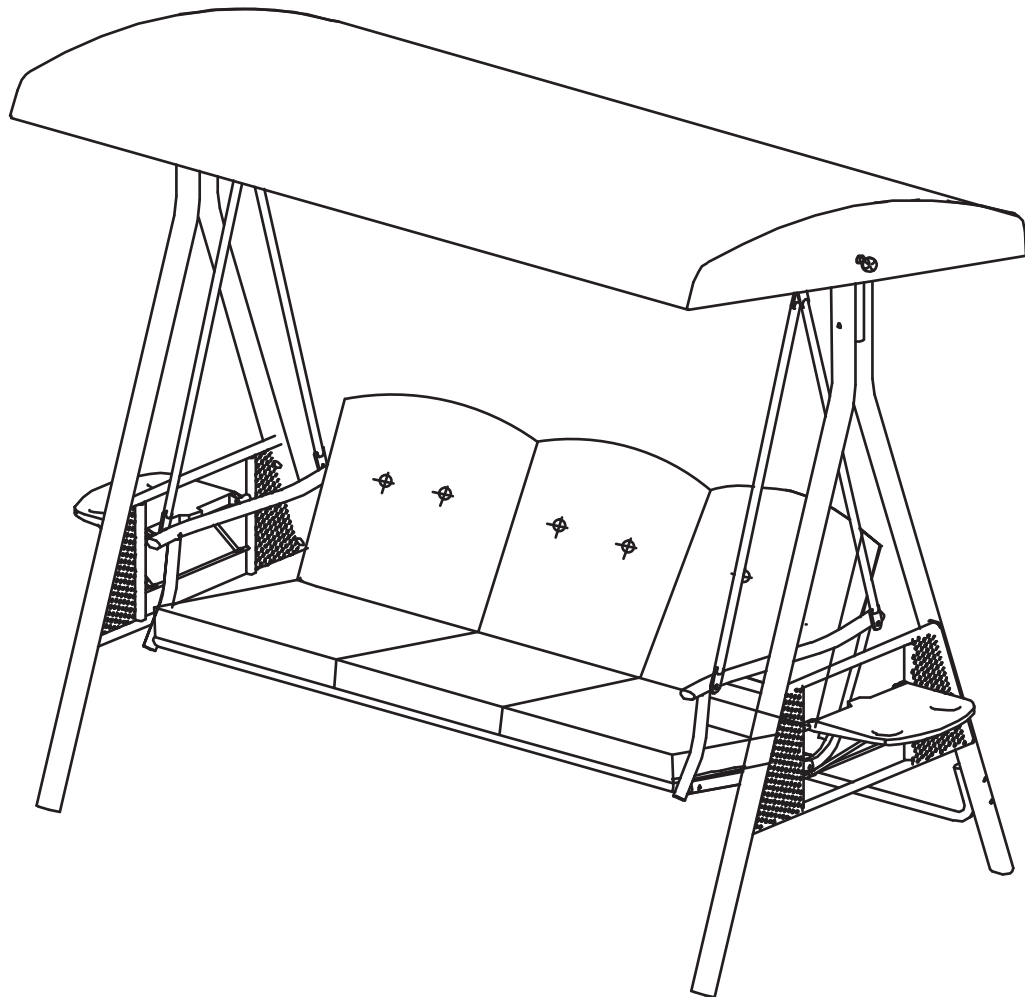




Enjoy Cozy Life!

# DULUXE 3 PERSON SWING CHAIR ASSEMBLY MANUAL



**KOZYARD LLC PRODUCTS**

**WWW.KOZYARD.COM**

© Copyright 2016 - 2023 Kozyard LLC. | All Rights Reserved.  
Version:20231006

# ***Assembly Instructions***

- Prior to assembly, ensure that you lay out and identify all the parts listed in the parts list.
- Tighten all nuts and bolts securely. Hand-tighten all bolts before use. Avoid using power tools or applying excessive force during assembly and bolt tightening.
- Install at a minimum distance of 6 feet from any obstructions, such as fences, garages, houses, overhanging branches, laundry lines, or electrical wires.
- It is recommended to be at least 2 people for a safe assembly of the product.
- If you encounter any difficulties during assembly or if any part is missing or damaged, please don't hesitate to contact our customer service team via email at [info@kozyard.com](mailto:info@kozyard.com) or by calling our toll-free number at 866-355-0018.

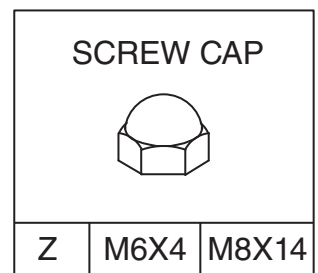
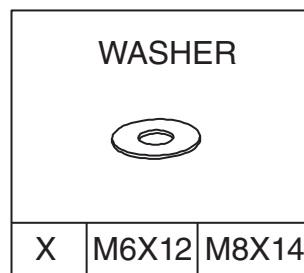
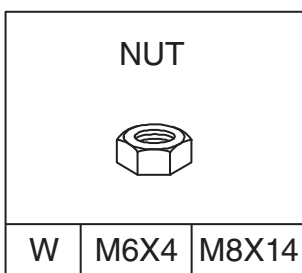
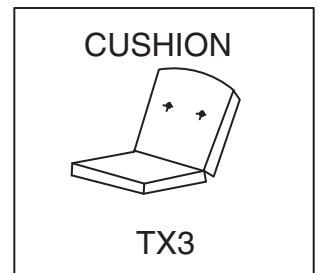
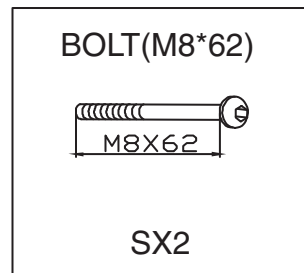
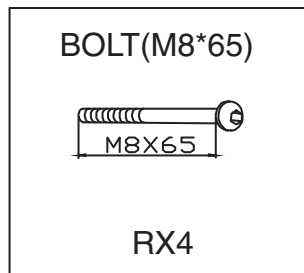
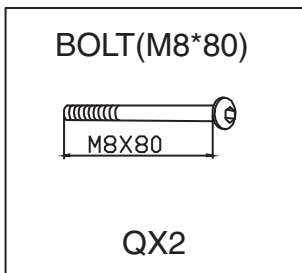
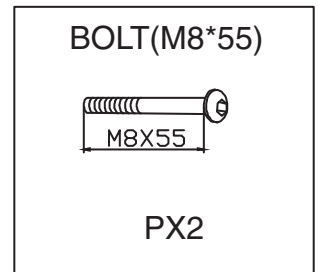
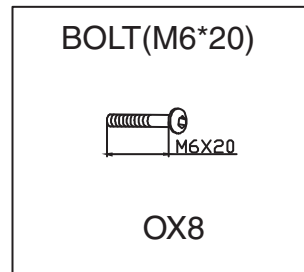
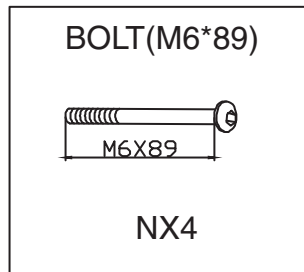
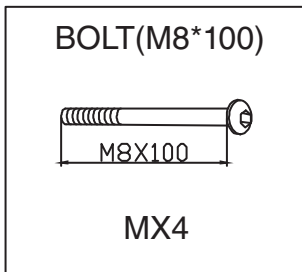
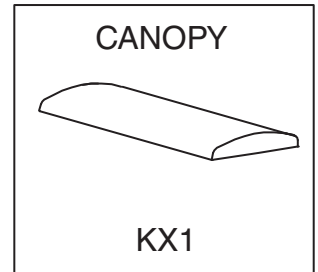
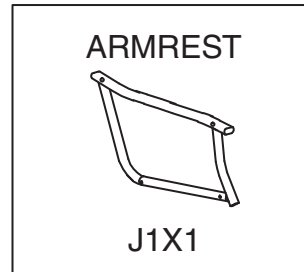
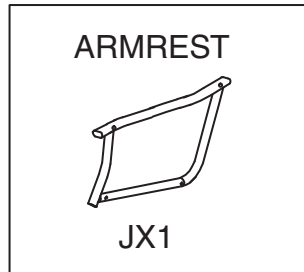
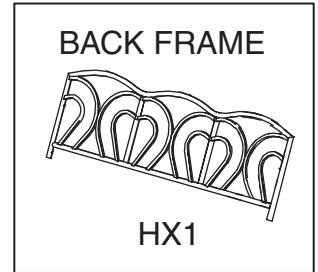
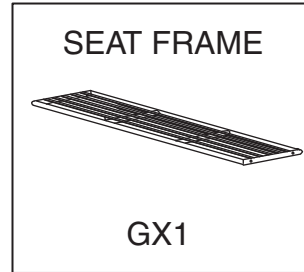
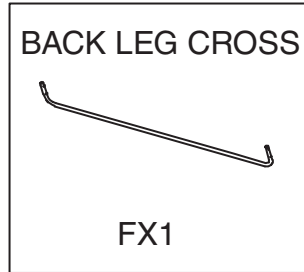
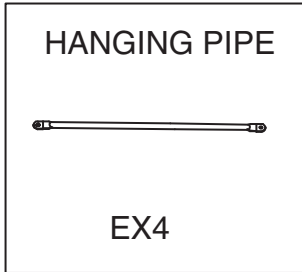
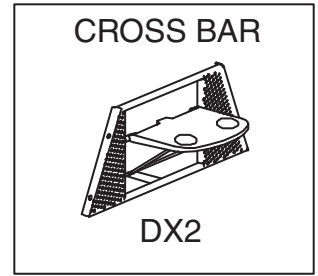
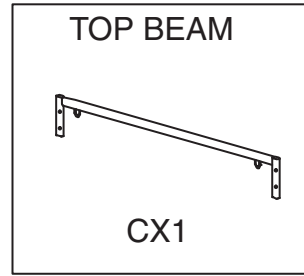
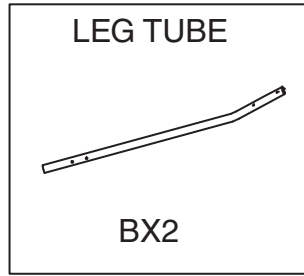
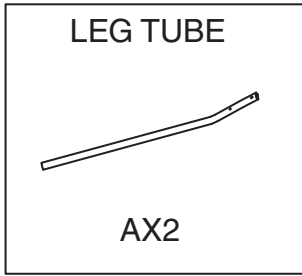
## ***Care and warranty***

- The weight capacity of this swing chair is 700 lbs.
- Clean the frame components and fabric with a mild soap solution, then rinse thoroughly. Avoid using bleach, acid, or any other solvents on either the fabric or frame components.
- For a comprehensive warranty policy, please visit [www.kozyard.com](http://www.kozyard.com). Be aware that warranty terms can change without prior notification.
- For the best performance and safety of your chair, inspect and tighten all bolts and fasteners regularly

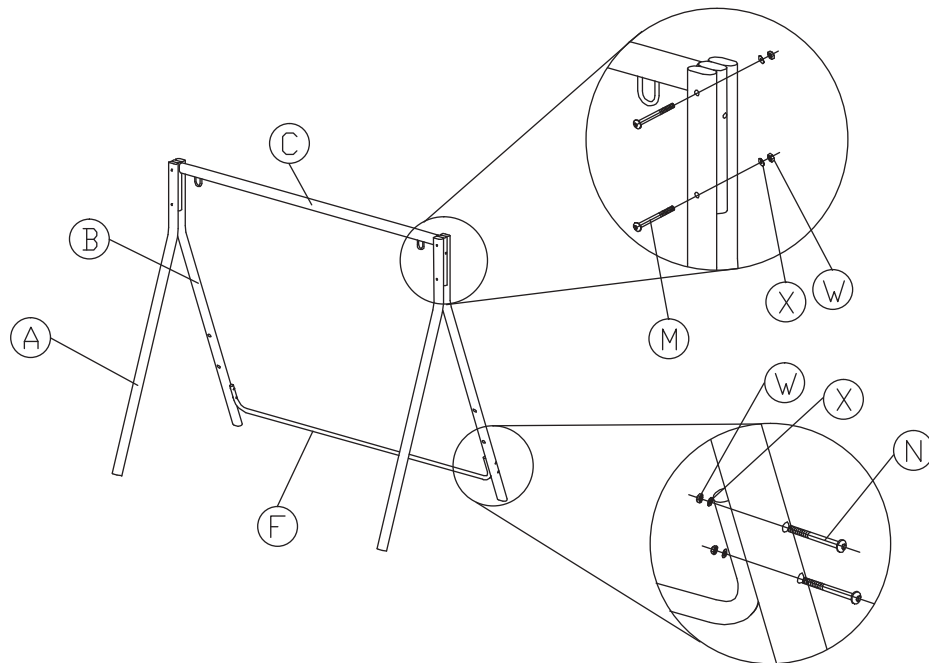
## ***Warning:***

1. Do not kneel or stand on swing chair.
2. Do not exceed 700lbs weight limit.
3. Make sure swing is located on a solid level surface.
4. Put away the cushion when it's rain or snow.

# Part list

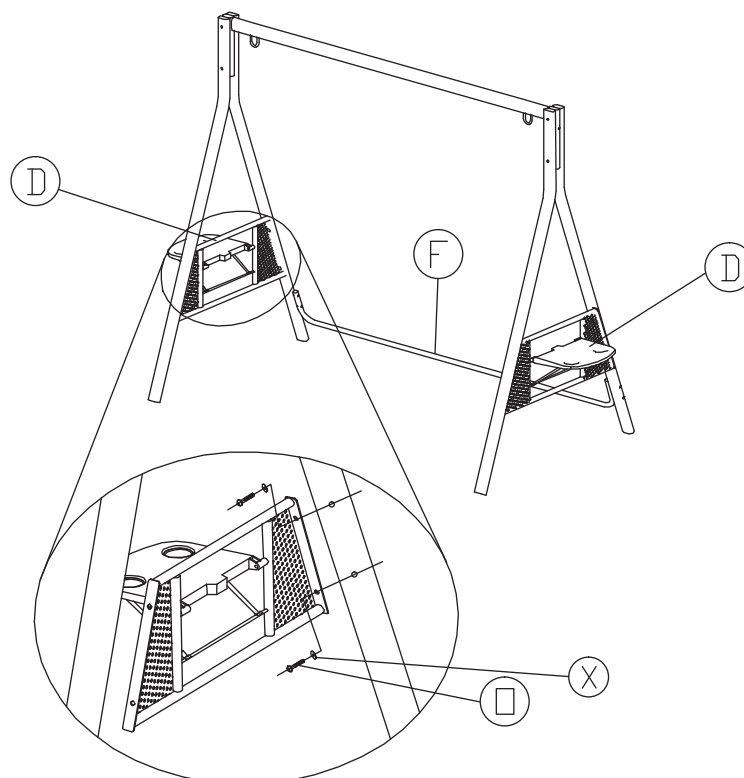


**Step 1:** Begin by connecting the leg tube (Part A) and (Part B) with the top beam (Part C) using bolt M, washer X, and nut W, as illustrated in the diagram. Next, connect the back leg cross (Part F) with the leg tube (Part B) using bolt N, washer X, and nut W, following the diagram.

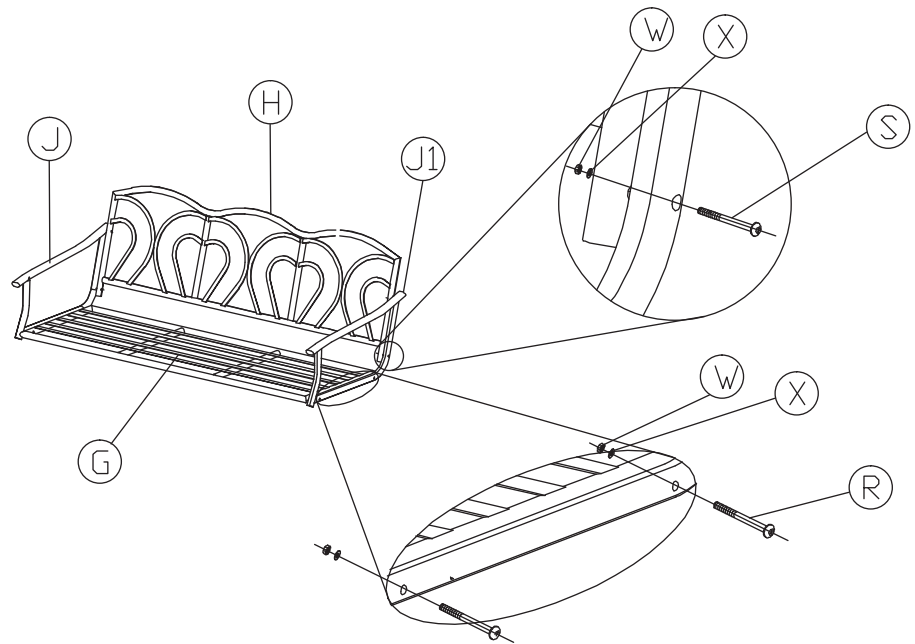


Attention: Both part A should be the same side, and both part B should be in the other side.

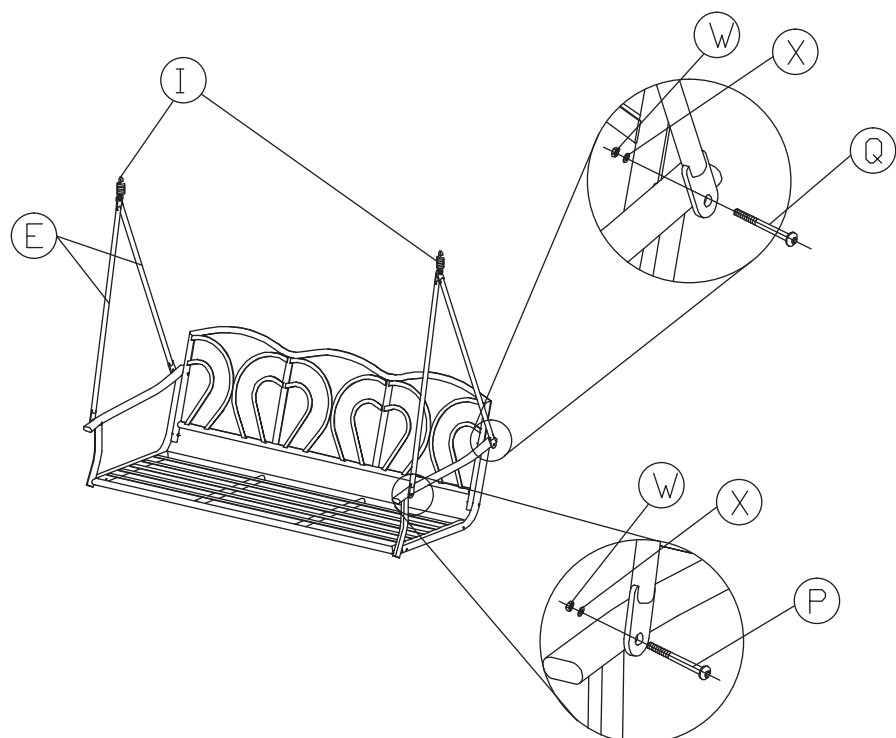
**Step 2:** Attach the leg tube (Part A) and (Part B) to the cross bar (Part D) using bolt O and washer X, following the diagram.



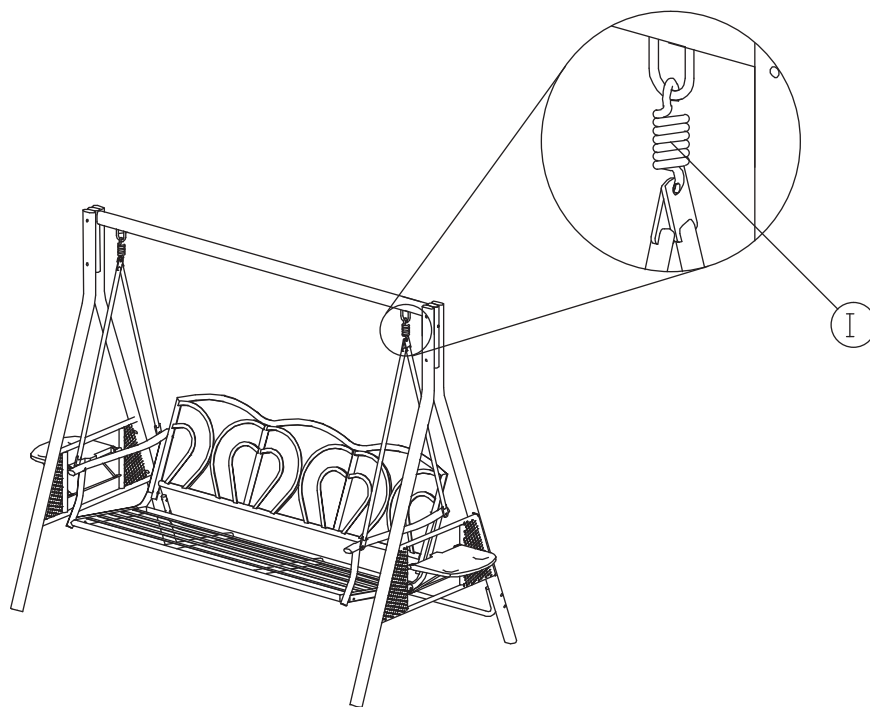
**Step 3:** Start by connecting the armrest (Part J) and (Part J1) with the back frame (Part H) using bolt S, washer X, and nut W, following the diagram. Then, attach the armrest (Part J) and (Part J1) to the seat frame (Part G) using bolt R, washer X, and nut W, as indicated in the diagram.



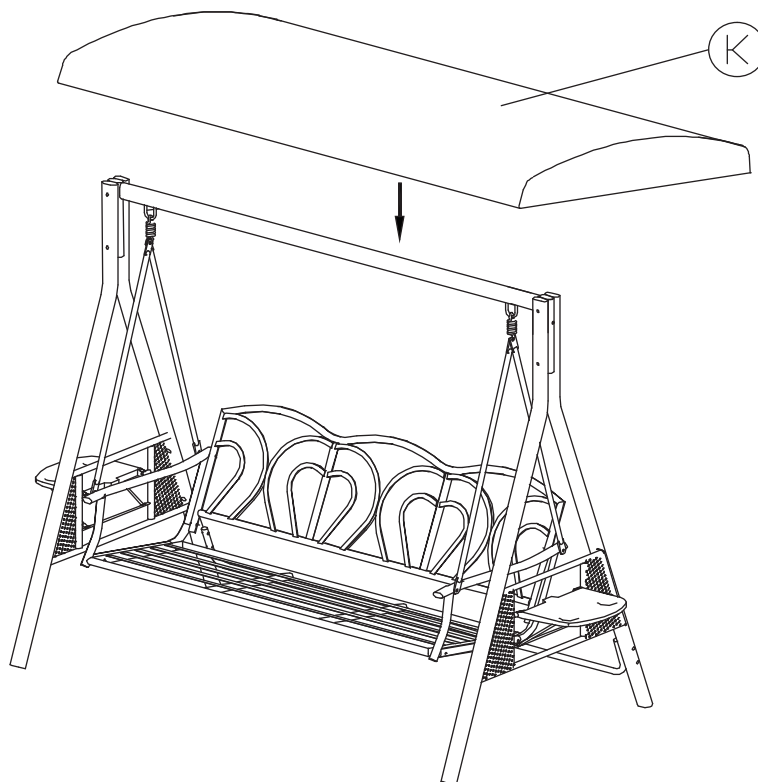
**Step 4:** Begin by connecting the hanging tube (Part E) with the armrest (Part J/J1) and back frame (Part H) using bolt Q, washer X, and nut W, as depicted in the diagram. Then, connect Part E with the armrest (Part J/J1) using bolt P, washer X, and nut W, following the diagram. Finally, insert the spring hook (Part I) into the hanging tube (Part E),



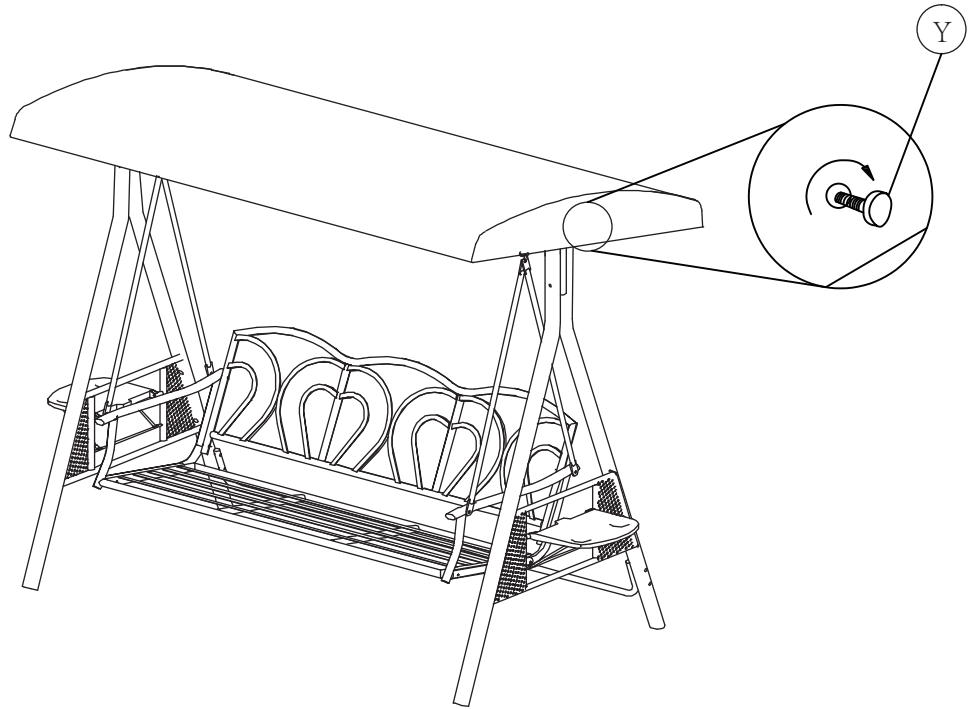
**Step 5:** Using spring hook (part H) to hook the seat to the frame as shown in diagram.as shown in the diagram.



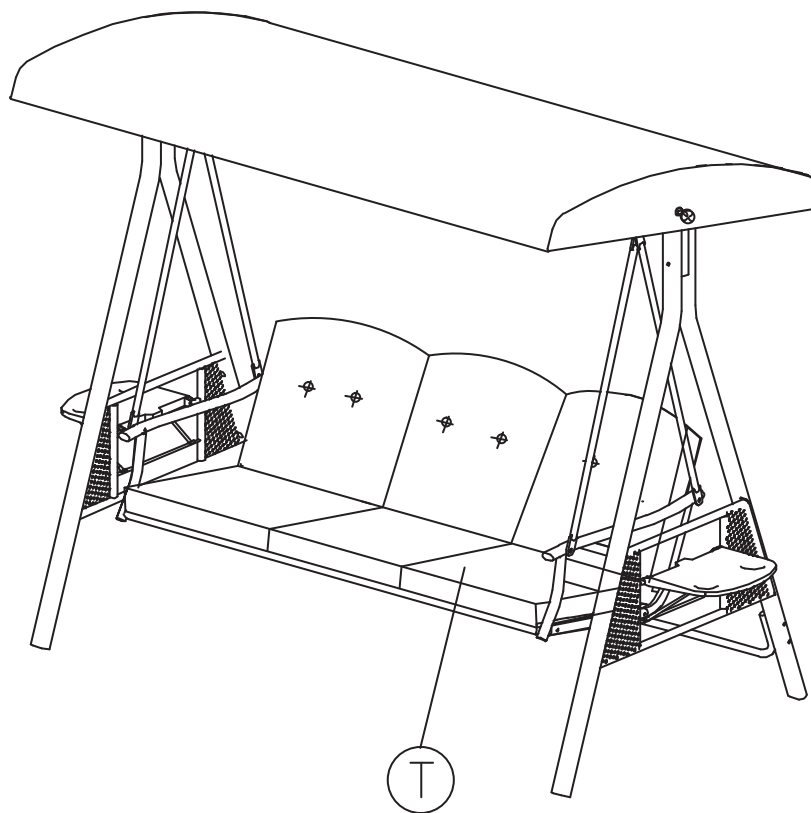
**Step 6:** Attach the canopy (Part K) to the top beam (Part C).



**Step 7:** Connect canopy with top beam using bolt Y.

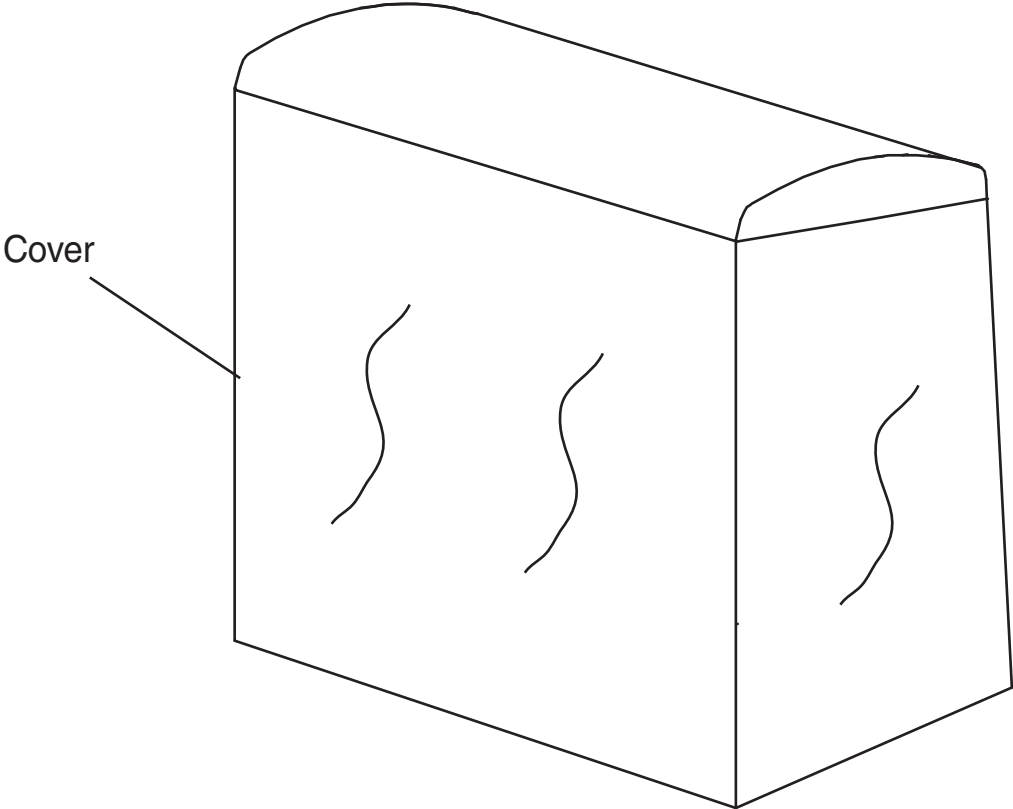


**Step 8:** Place cushion (Part T) on the seat frame as shown in diagram.



**Step 9:** Make sure all of screws are fixed tightly then cover all screw caps Z (M6 or M8) before use in level solid ground.

**Step 10:** Put on cover for swing chair in order to preserve the chair.







Enjoy Cozy Life!

**SUPPORT:**

Toll free: 866-355-0018

[www.kozyard.com](http://www.kozyard.com)

email: [support@kozyard.com](mailto:support@kozyard.com)

**SOCIAL MEDIA:**



Follow us on Instagram

[www.instagram.com/kozyard](http://www.instagram.com/kozyard)

**KOZYARD LLC**