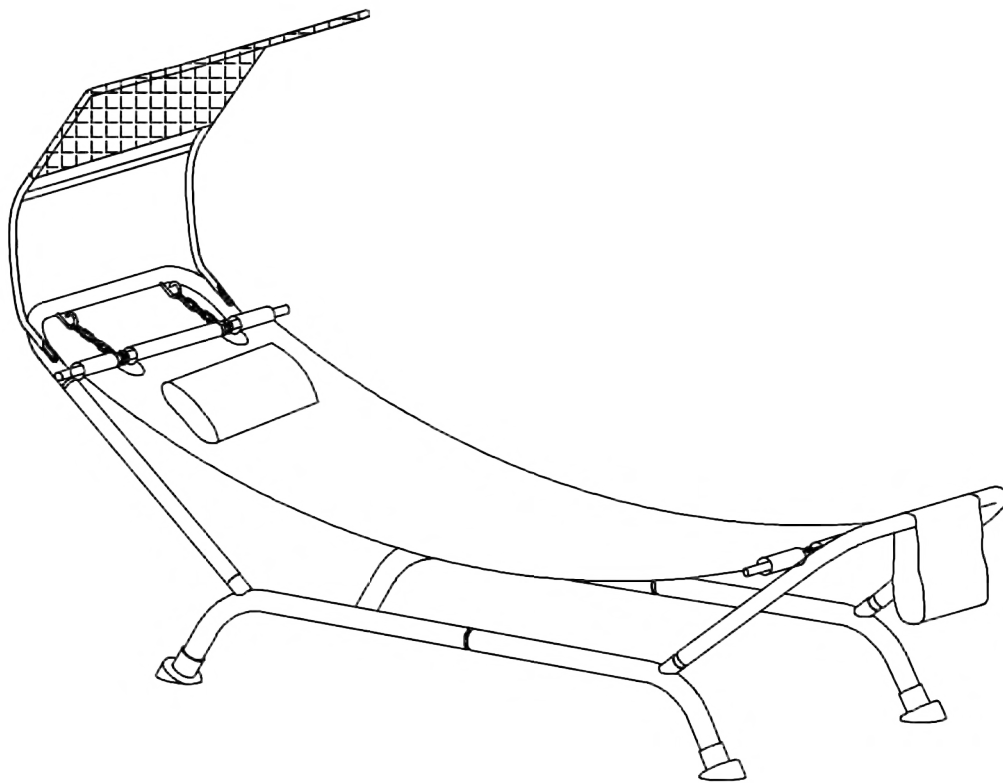




Enjoy Cozy Life!

# HAMMOCK W/SHADE ASSEMBLY MANUAL



**KOZYARD LLC PRODUCTS**  
**WWW.KOZYARD.COM**

© Copyright 2016 - 2023 Kozyard LLC. | All Rights Reserved.  
Version:20231006

## ***Assembly Instructions***

- Prior to assembly, ensure that you lay out and identify all the parts listed in the parts list.
- Tighten all nuts and bolts securely. Hand-tighten all bolts before use. Avoid using power tools or applying excessive force during assembly and bolt tightening.
- Install at a minimum distance of 6 feet from any obstructions, such as fences, garages, houses, overhanging branches, laundry lines, or electrical wires.
- It is recommended to be at least 2 people for a safe assembly of the product.
- If you encounter any difficulties during assembly or if any part is missing or damaged, please don't hesitate to contact our customer service team via email at [info@kozyard.com](mailto:info@kozyard.com) or by calling our toll-free number at 866-355-0018.

## ***Care and warranty***

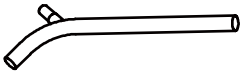
- The weight capacity of this swing chair is 350 lbs.
- Clean the frame components and fabric with a mild soap solution, then rinse thoroughly. Avoid using bleach, acid, or any other solvents on either the fabric or frame components.
- For a comprehensive warranty policy, please visit [www.kozyard.com](http://www.kozyard.com). Be aware that warranty terms can change without prior notification.
- For the best performance and safety of your chair, inspect and tighten all bolts and fasteners regularly

## ***Warning:***

1. Do not kneel or stand on swing chair.
2. Do not exceed 350lbs weight limit.
3. Make sure swing is located on a solid level surface.
4. Put away the cushion when it's rain or snow.

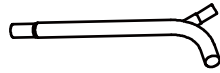
# PART LIST

LEG TUBE



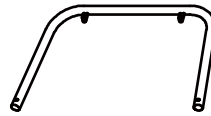
AX2

LEG TUBE



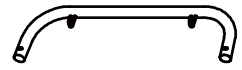
BX2

CROSS BAR



CX1

CROSS BAR



DX1

CROSS TUBE



EX2

SUPPORT TUBE



FX2

HOOK



GX4

STEEL CHAIN



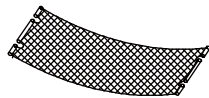
HX4

LEG CAP



IX4

SEAT CUSHION



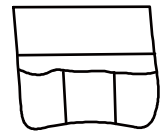
JX1

PILLOW



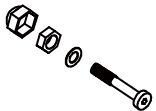
KX1

MAGAZINE BAG



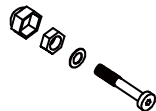
LX1

BOLT(M8\*60)



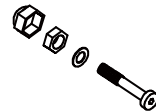
MX2

BOLT(M6\*50)



NX2

BOLT(M6\*45)



OX4

BOLT(M6\*35)



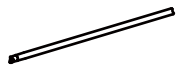
PX2

BOLT(ST6\*40)



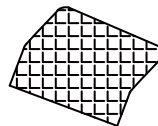
QX2

CANOPY TUBE



RX1

ROOF FABRIC



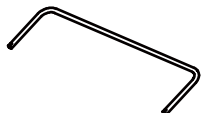
SX1

CANOPY TUBE



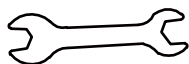
TX2

CANOPY TUBE



UX1

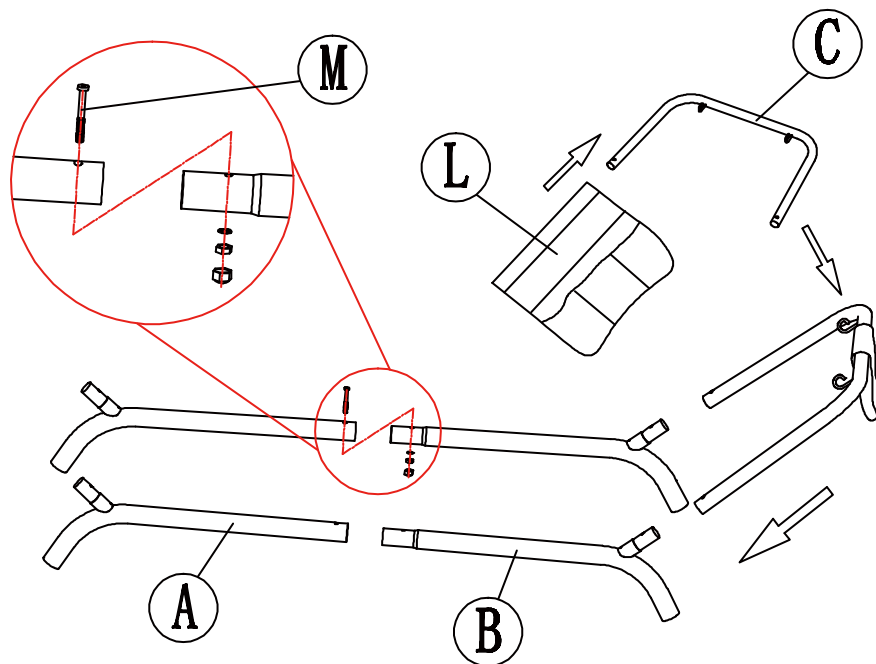
WRENCH



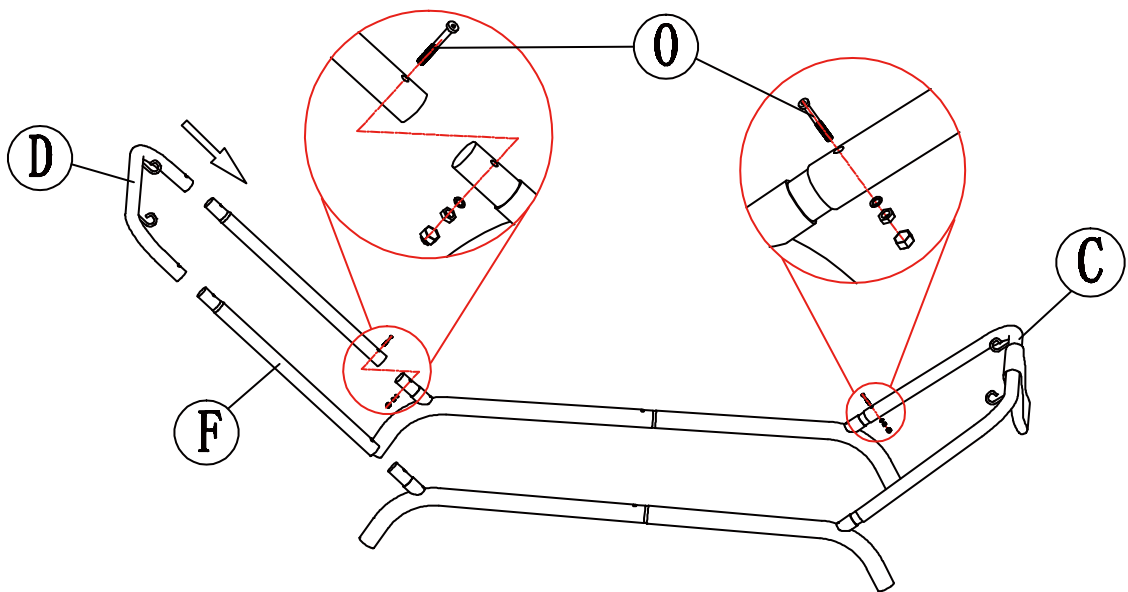
ALLEN KEY



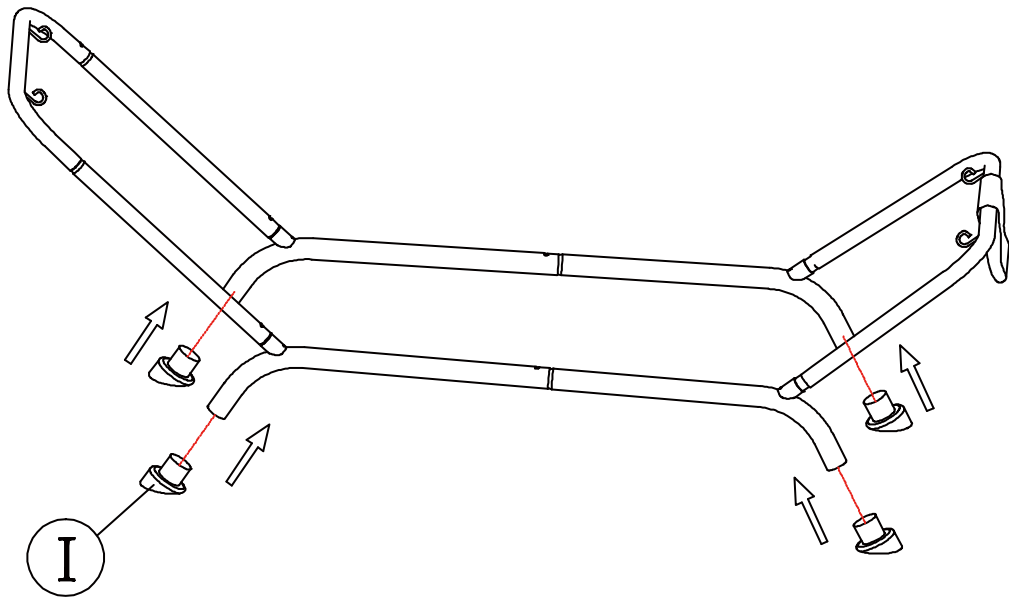
**Step 1:** First, connect the leg tubes (part A) and (part B) together using bolt M, as shown in the diagram. Then, pull the magazine bag (part L) onto the crossbar (part C), as shown in the diagram.



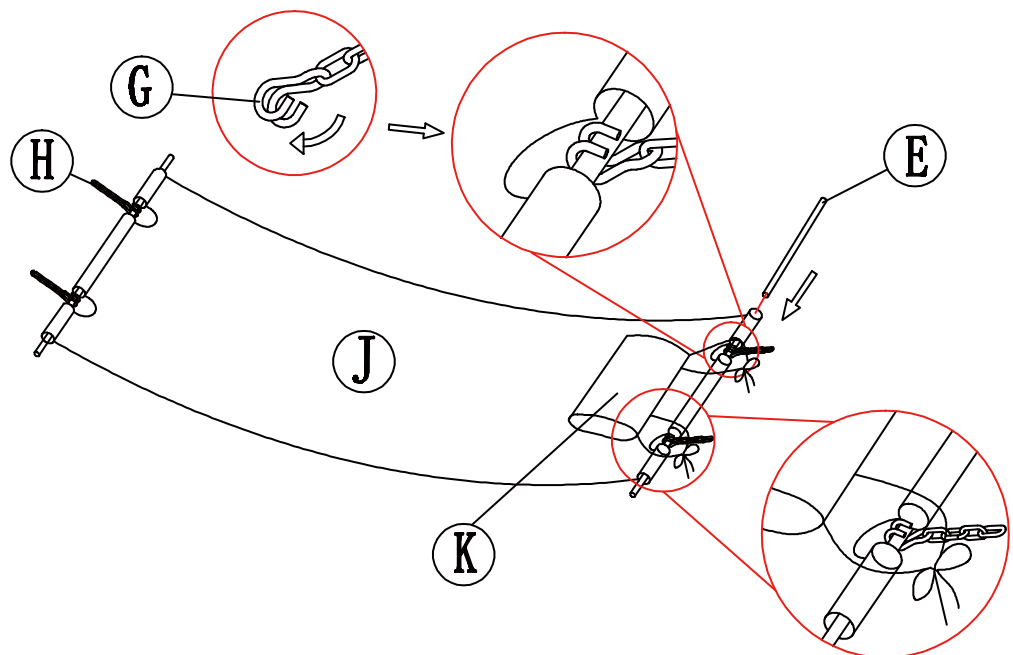
**Step 2:** Connect part F and part D to the leg tube (part A + B) using bolt O, as shown in the diagram. Affix part C to the legs using bolt O, as shown in the diagram.



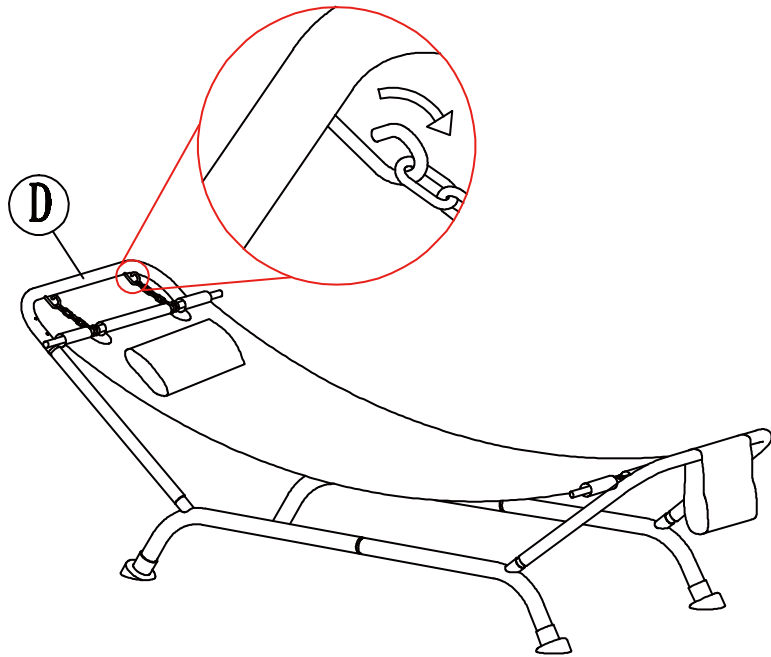
**Step 3:** Affix leg caps (part I) as shown in diagram.



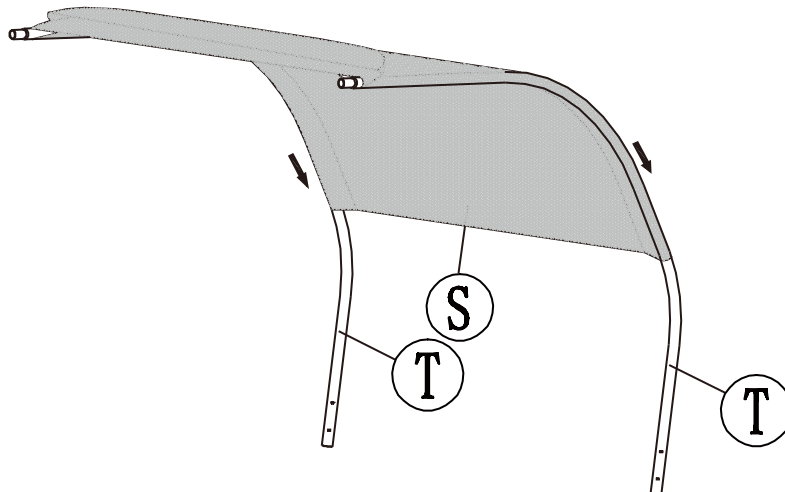
**Step 4:** Attach the Support cross tube (Part E) to the seat cushion, then connect the hook (Part G) and steel chain (Part H) to the cushion, and finally, secure the pillow (Part K) onto the hook (Part G) as indicated in the diagram.



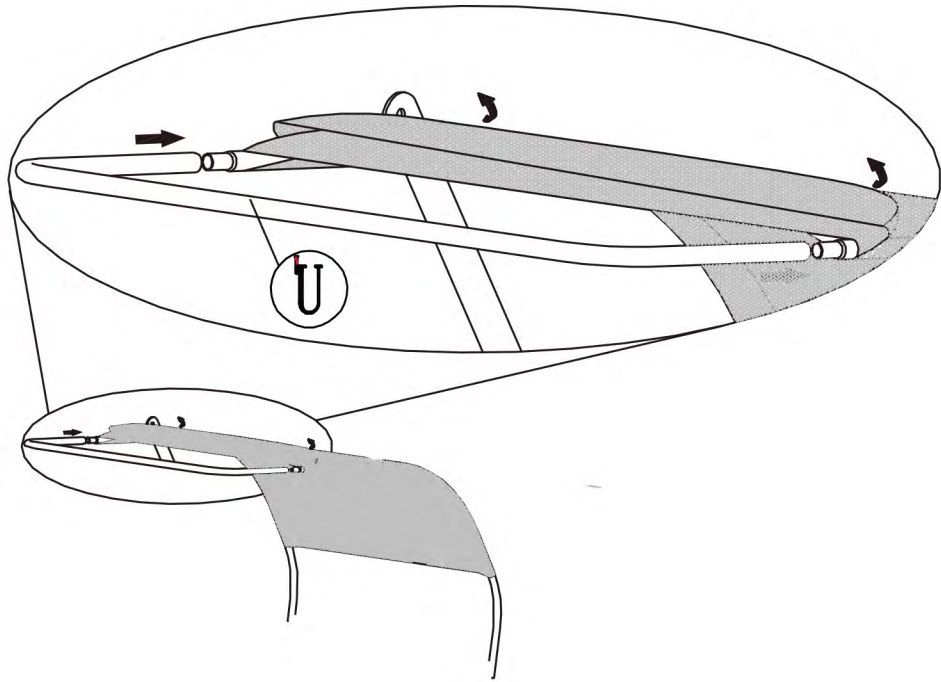
**Step 5:** Hang part H into the hook on main fram as shown in diagram.



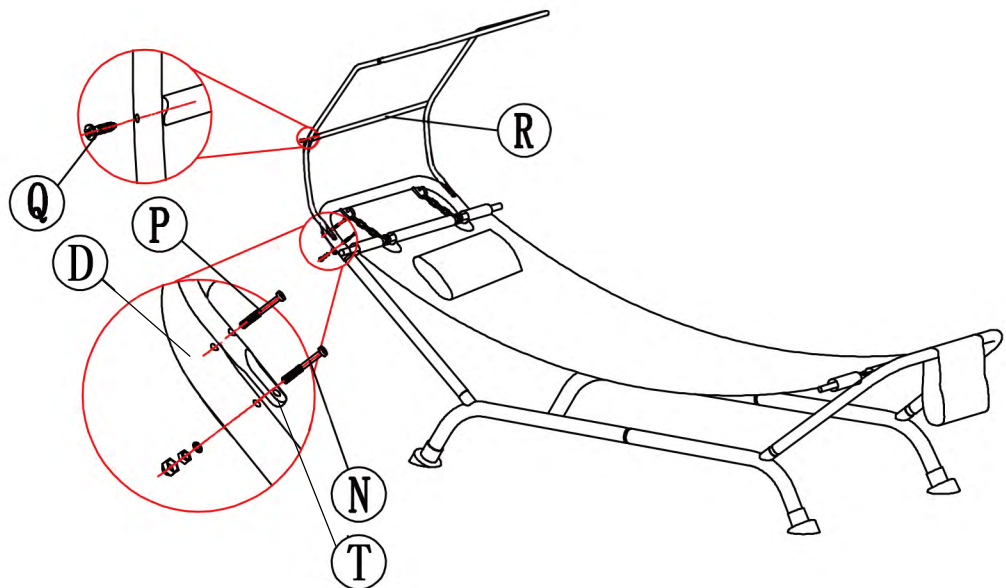
**Step 6:** Insert canopy roof part S into part T as shown in diagram.



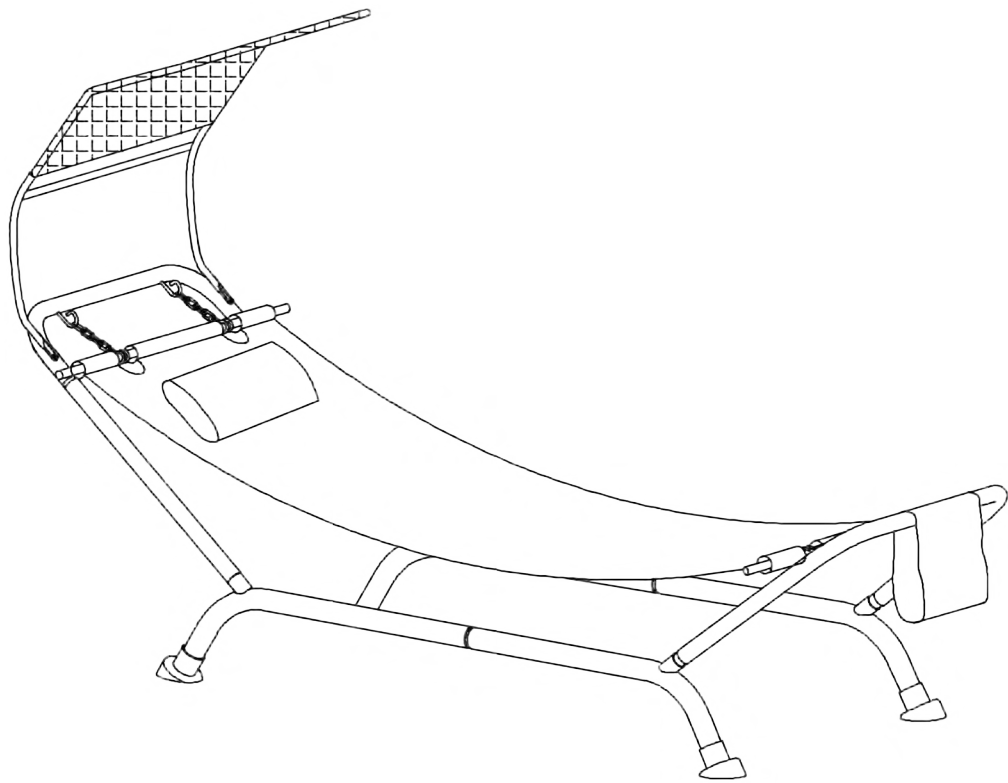
**Step 7:** Connect Part U to Part T to build roof frame as shown in the diagram.



**Step 8:** Connect Part R to Part T using bolt Q as shown in diagram.  
Affix roof canopy frame to main frame (Part D) using bolt N and bolt P as shown in the diagram.



**Step 9:** Before using, make sure to check that all screws are securely tightened.







Enjoy Cozy Life!

**SUPPORT:**

Toll free: 866-355-0018

[www.kozyard.com](http://www.kozyard.com)

email: [support@kozyard.com](mailto:support@kozyard.com)

**SOCIAL MEDIA:**



Follow us on Instagram

[www.instagram.com/kozyard](http://www.instagram.com/kozyard)

**KOZYARD LLC**