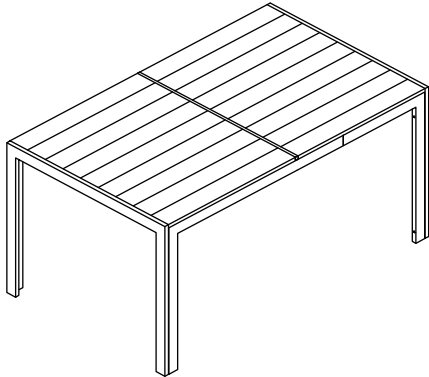




OUTDOOR PATIO ALUMINUM POLYWOOD SLAT TABLE ASSEMBLY MANUAL



KOZYARD LLC PRODUCTS
WWW.KOZYARD.COM

© Copyright 2016 - 2023 Kozyard LLC. | All Rights Reserved.
Version:20231006

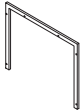
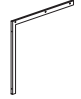



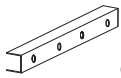

Assembly Instructions







- Prior to assembly, ensure that you lay out and identify all the parts listed in the parts list.
- Tighten all nuts and bolts securely. Hand-tighten all bolts before use. Avoid using power tools or applying excessive force during assembly and bolt tightening.
- If you encounter any difficulties during assembly or if any part is missing or damaged, please don't hesitate to contact our customer service team via email at info@kozyard.com or by calling our toll-free number at 866-355-0018.

Care and warranty

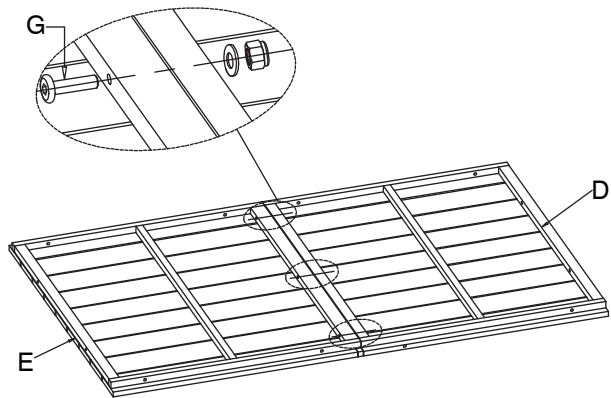
- The weight capacity of this table is 50 lbs.
- Clean the frame components with a mild soap solution, then rinse thoroughly. Avoid using bleach, acid, or any other solvents on either the fabric or frame components.
- For a comprehensive warranty policy, please visit www.kozyard.com. Be aware that warranty terms can change without prior notification.
- For the best performance and safety of your table, inspect and tighten all bolts and fasteners regularly

Part list

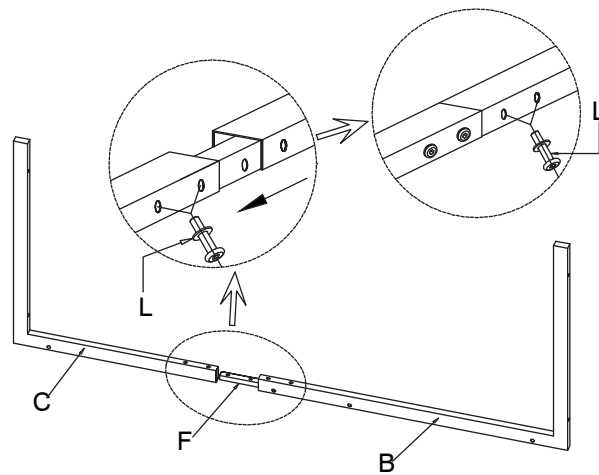
Part	Description	Qty
A	 Leg	2
B	 Leg	2
C	 Leg	2
D	 Top	1
E	 Top	1
F	 Connector	2
G	 Bolt M6*85	3

Part	Description	Qty
H	 Bolt M6*55	8
J	 Bolt M6*45	4
K	 Bolt M6*35	8
L	 Bolt M6*12	8
		1
		1

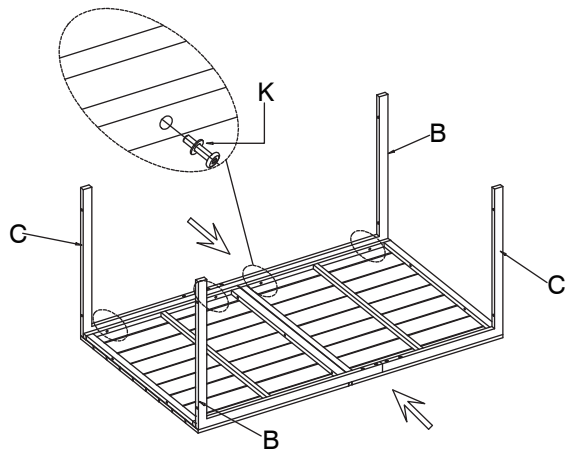
1. Connect part E with part D using bolt G as shown in the diagram.



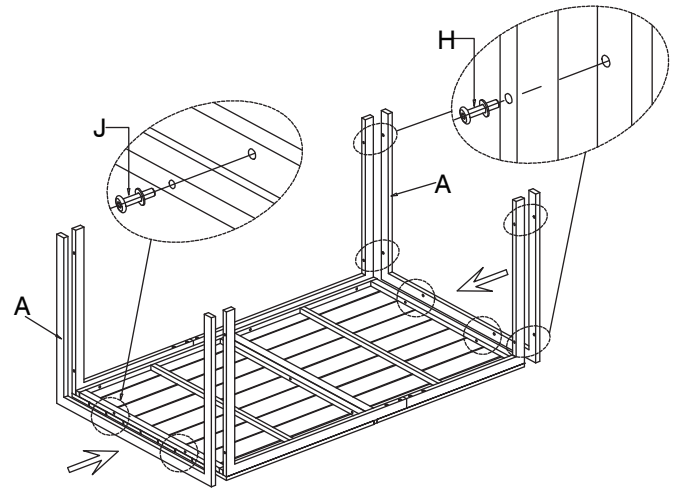
2. Connect part C with part B using connector part F and bolt L as shown in the diagram.



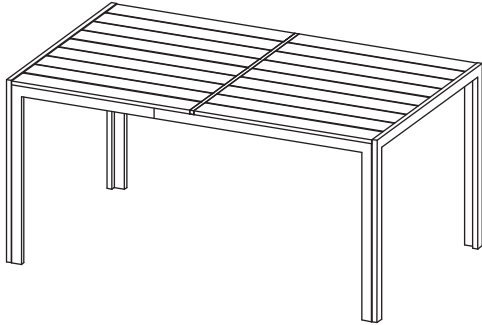
3. Connect the table top (part D & E) with the table leg (part B & C) using bolt K, as illustrated in the diagram.



4. First connect part A with table top (part D & E) using bolt J, then connect part A with table leg (part B and C) using bolt H as shown in diagram.



5. Make sure to check that all bolts are securely tightened before using.



Enjoy Cozy Life!

SUPPORT:

Toll free: 866-355-0018

www.kozyard.com

email: support@kozyard.com

SOCIAL MEDIA:



Follow us on Instagram

www.instagram.com/kozyard

KOZYARD LLC