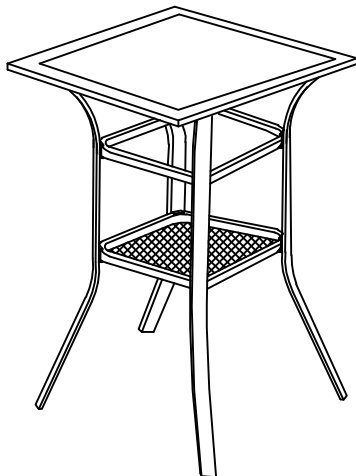




# PATIO BISTRO BAR TABLE

## ASSEMBLY MANUAL



**KOZYARD LLC PRODUCTS**  
**WWW.KOZYARD.COM**

Copyright 2016 - 2023 Kozyard LLC. | All Rights Reserved.  
Version:20231006

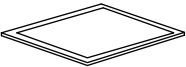






### ***Assembly Instructions***

- Prior to assembly, ensure that you lay out and identify all the parts listed in the parts list.
- Tighten all nuts and bolts securely. Hand-tighten all bolts before use. Avoid using power tools or applying excessive force during assembly and bolt tightening.
- If you encounter any difficulties during assembly or if any part is missing or damaged, please don't hesitate to contact our customer service team via email at [info@kozyard.com](mailto:info@kozyard.com) or by calling our toll-free number at 866-355-0018.

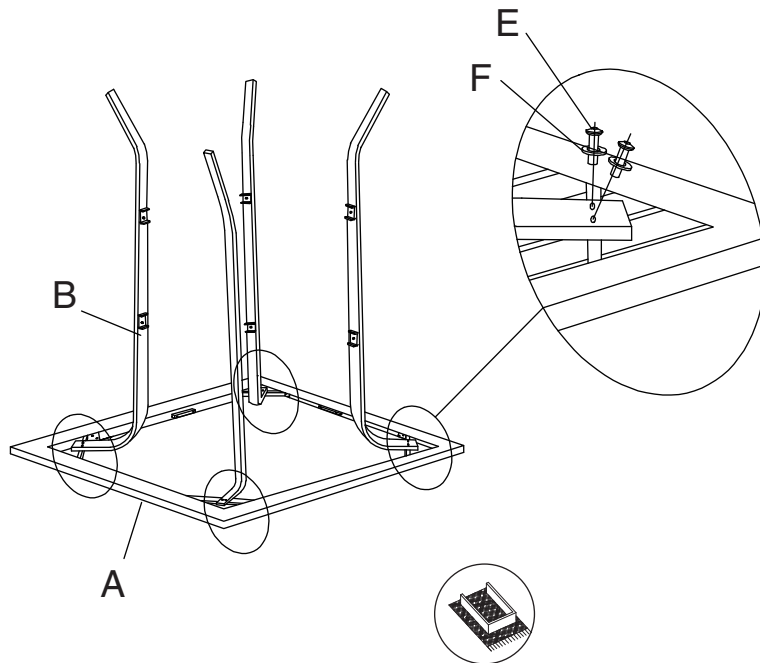
### ***Care and warranty***

- The weight capacity of this table is 50 lbs.
- Clean the frame components with a mild soap solution, then rinse thoroughly. Avoid using bleach, acid, or any other solvents on either the fabric or frame components.
- For a comprehensive warranty policy, please visit [www.kozyard.com](http://www.kozyard.com). Be aware that warranty terms can change without prior notification.
- For the best performance and safety of your table, inspect and tighten all bolts and fasteners regularly

## Part list

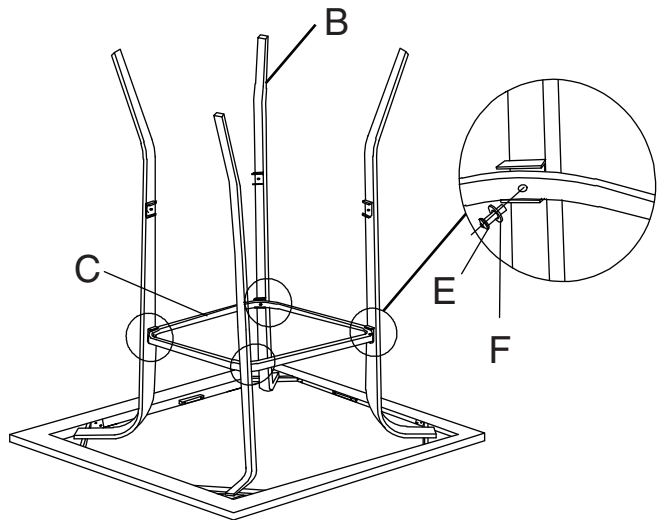
Part	Description	Qty
A	 Top A diamond-shaped top plate with a double-line border.	1
B	 Leg A curved metal leg with a small hole at the top and a hook at the bottom.	4
C	 Leg Connector A diamond-shaped metal connector with a hole in the center.	1
D	 Holder A diamond-shaped metal holder with a grid pattern.	1
E	 M6*25 Screws A long screw with a hexagonal head.	16
F	 Washer A flat, circular washer with a hole in the center.	16
G	 Allen key An L-shaped hex key.	1

1. Connect the top (Part A) and legs (Part B) using Screws (E) and Washers (F) as illustrated in the diagram.

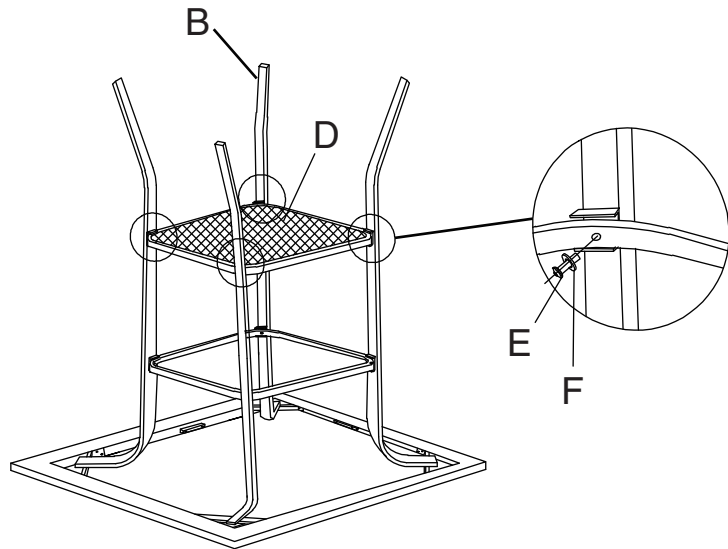


Reminder: All parts must be put on the carpet in the assembly.

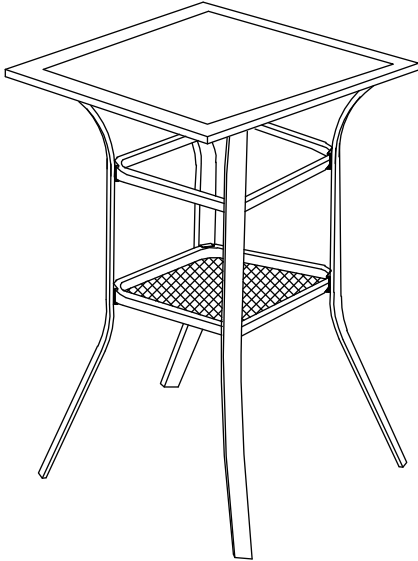
2. Connect the leg connector (Part C) with the legs (Part B) using screws (E) and washer (F) as indicated in the diagram.



3. Connect the holder (Part D) to the legs (Part B) using screws (E) and washer (F) as shown in the diagram.



4. Finally, ensure that all screws are securely tightened before using the product on level ground.



Enjoy Cozy Life!

**SUPPORT:**

Toll free: 866-355-0018

[www.kozyard.com](http://www.kozyard.com)

email: [support@kozyard.com](mailto:support@kozyard.com)

**SOCIAL MEDIA:**



Follow us on Instagram

[www.instagram.com/kozyard](http://www.instagram.com/kozyard)

**KOZYARD LLC**