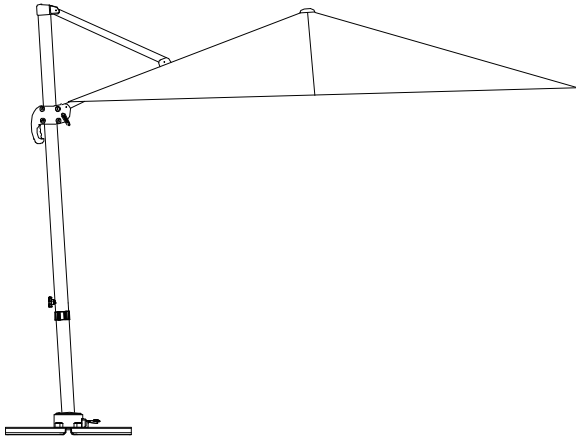




Enjoy Cozy Life!

# 10 FEET CANTILEVER UMBRELLA ASSEMBLY MANUAL



**KOZYARD LLC PRODUCTS**  
**WWW.KOZYARD.COM**

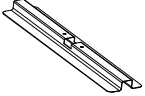
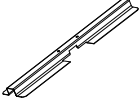

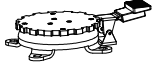
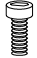


© Copyright 2016 - 2023 Kozyard LLC. | All Rights Reserved.  
Version:20231006

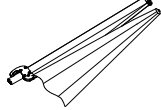



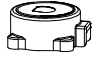

## ***Assembly Instructions***

- Prior to assembly, ensure that you lay out and identify all the parts listed in the parts list.
- Tighten all nuts and bolts securely. Hand-tighten all bolts before use. Avoid using power tools or applying excessive force during assembly and bolt tightening.
- If you encounter any difficulties during assembly or if any part is missing or damaged, please don't hesitate to contact our customer service team via email at [info@kozyard.com](mailto:info@kozyard.com) or by calling our toll-free number at 866-355-0018.

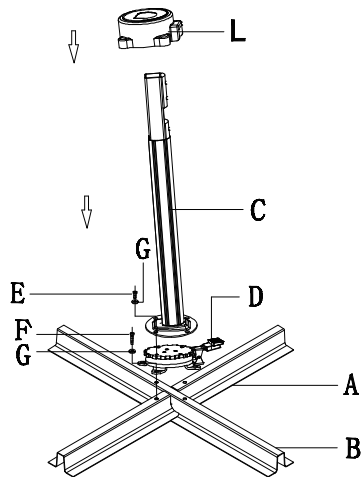
## ***Warning***

- Ensure that the umbrella base is placed on a stable, level surface.
- The base should be secured with heavy objects to prevent tipping or movement.
- Remember to close the umbrella on windy or rainy days to avoid damage and ensure safety.

Part	Description	Qty
A	 Base cross A	1
B	 Base cross B	1
C	 Base pole	1
D	 Rotation device	1
E	 (M8x14) Screws	4
F	 (M8x20) Screws	4
G	 (ø8) Washer	8

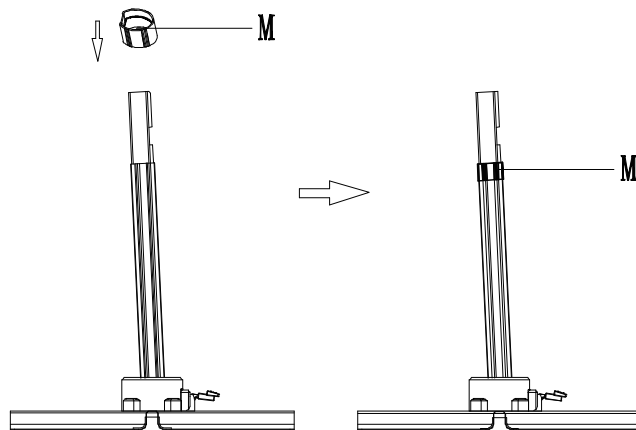
Part	Description	Qty
H	 Main Frame w/fabric	1
I	 Crank	1
J	 Plastic Lock screws	1
K	 Allen Key	1
L	 Plastic Cover	1
M	 Connector Cover	1

## Step 1: Set up base

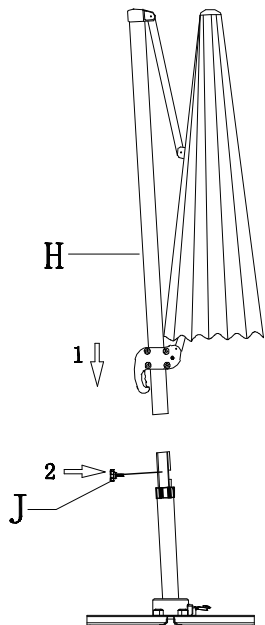


1. Assemble base Part A and Part B together.
2. Attach the rotation device and base pole together using screws E, F, and washer Part G, following the diagram.
3. Next, place Part L as a cover.

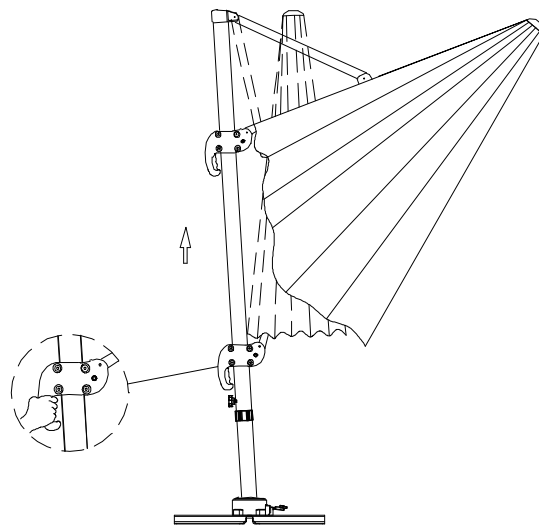
2. Place connector Part M on the base pole as shown in the diagram.



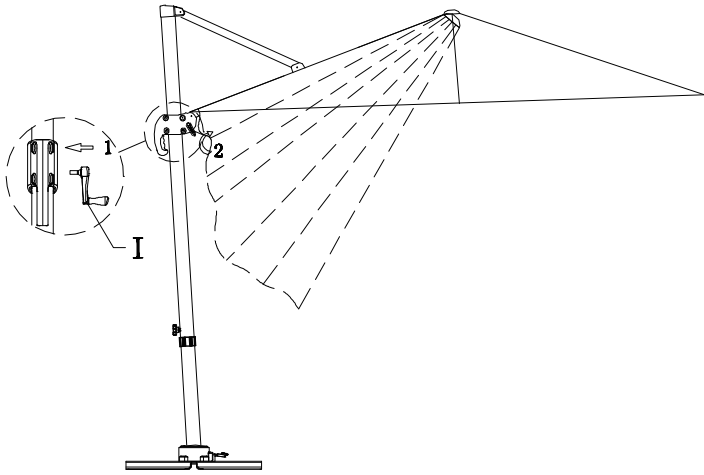
3. Attach the upper main frame H to the base using screw J to secure it, as indicated in the diagram.



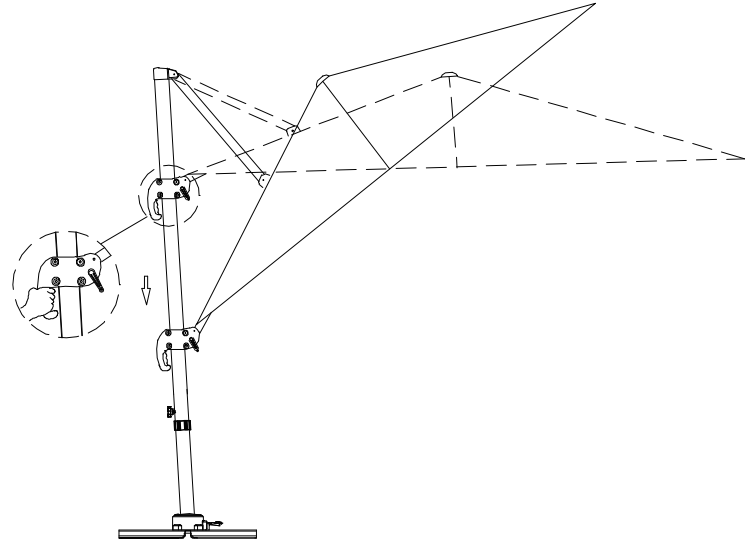
4. Press the button and raise the handle.



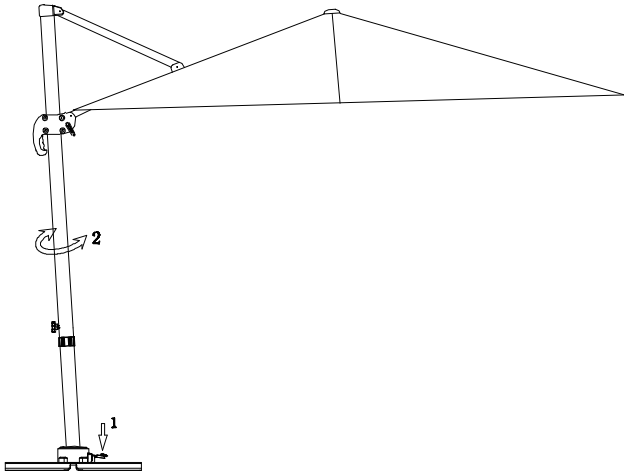
5. Attach the crank to the handle. Then, turn the crank clockwise to open the umbrella and counterclockwise to close it, following the diagram.



6. Adjust the position by pushing the button on the handle to any desired location, as demonstrated in the diagram



7. The rotation device allows for a 360° rotation to match any desired shade angle, as illustrated in the diagram.



8. Please close the umbrella and cover it with a cloth when not in use or during windy conditions. Ensure that the umbrella is placed on level ground.





Enjoy Cozy Life!

**SUPPORT:**

Toll free: 866-355-0018

[www.kozyard.com](http://www.kozyard.com)

email: [support@kozyard.com](mailto:support@kozyard.com)

**SOCIAL MEDIA:**



Follow us on Instagram

[www.instagram.com/kozyard](http://www.instagram.com/kozyard)

**KOZYARD LLC**