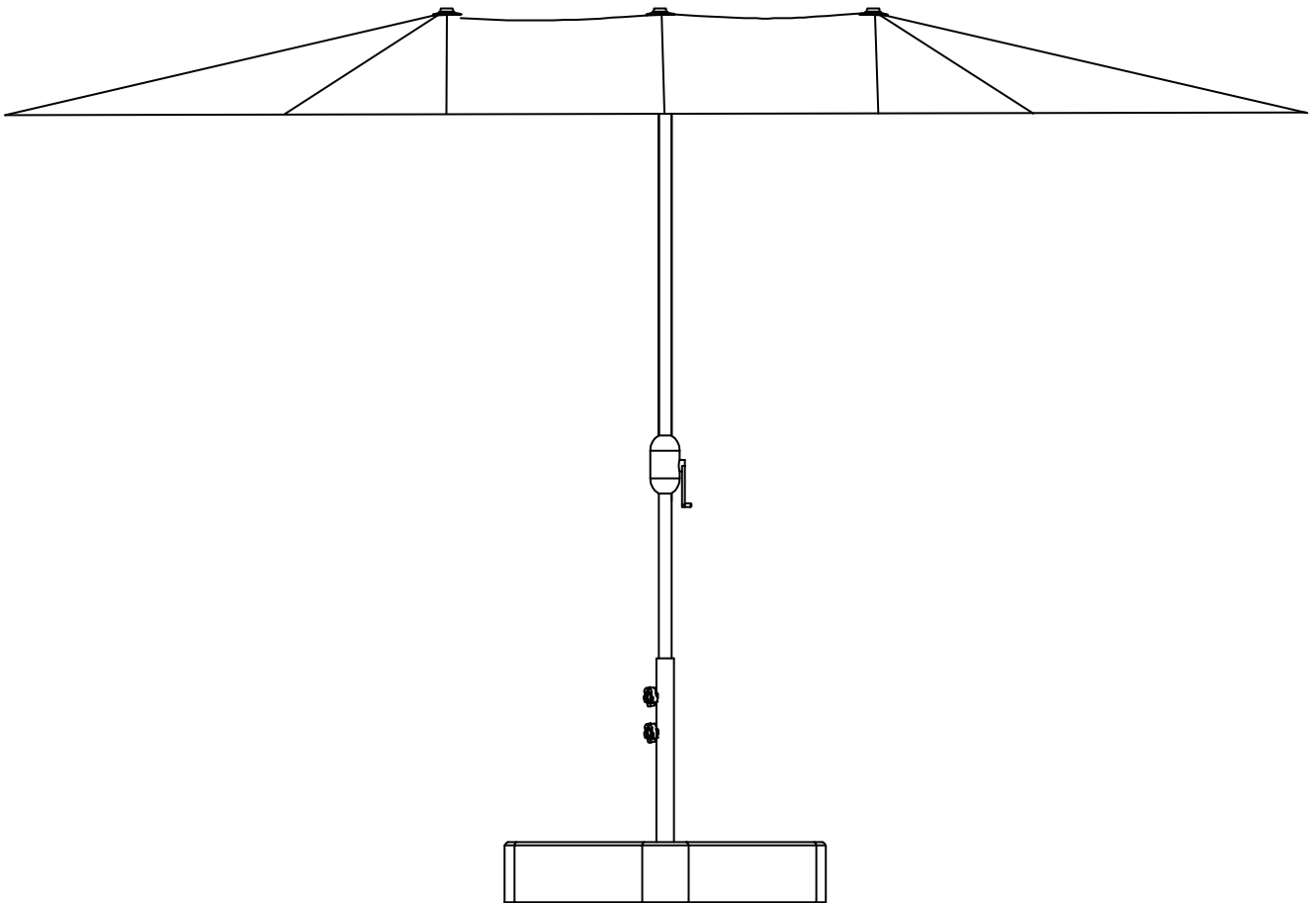




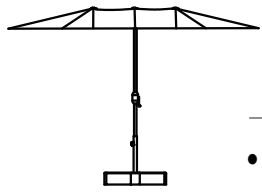
# BUTTERFLY DOUBLE SIDED 15' PATIO UMBRELLA ASSEMBLY MANUAL



**KOZYARD LLC PRODUCTS**

**WWW.KOZYARD.COM**

© Copyright 2016 - 2023 Kozyard LLC. | All Rights Reserved.  
Version:20231006





## PARTS LIST

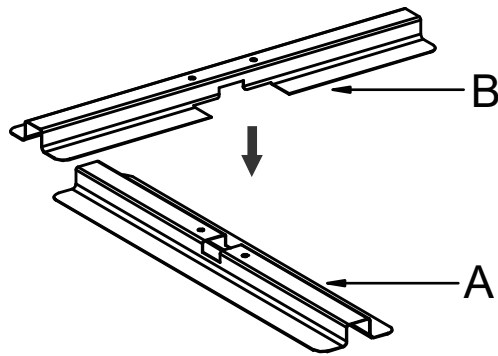
- Before assembling, make sure that you lay out and identify all the parts listed in the parts list.
- All bolts should be hand-tightened before use. Never use power tools or excessive force during assembly and tightening of bolts.
- Please place the umbrella on a flat, protected surface during assembly.
- Close the umbrella on a windy day.

	<b>A</b> 1		<b>G</b> 4
	<b>B</b> 1		<b>H</b> 4
	<b>C</b> 1		<b>J</b> 2
	<b>D</b> 4		<b>K</b> 1
M8 X 20			<b>L</b> 1
	<b>E</b> 4		<b>M</b> 1
	<b>F</b> 1		




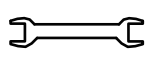
# ASSEMBLY INSTRUCTIONS

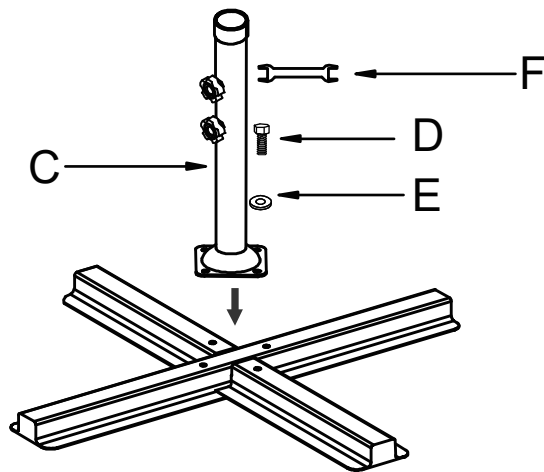
## STEP 1:

	A X 1
	B X 1



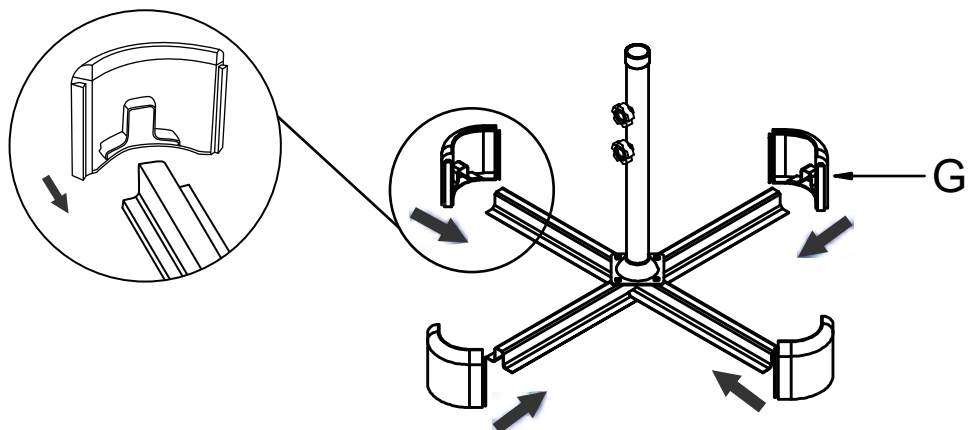
## STEP 2:

	C X 1
 M8 X 20	D X 4
	E X 4
	F X 1



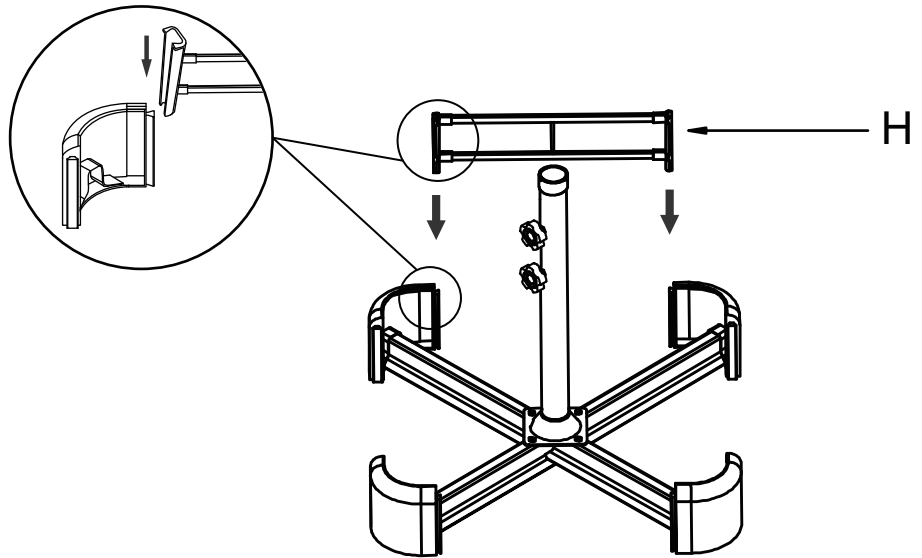
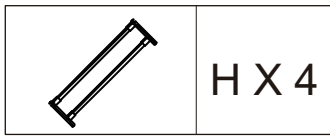
## STEP 3:

	G X 4
---	-------

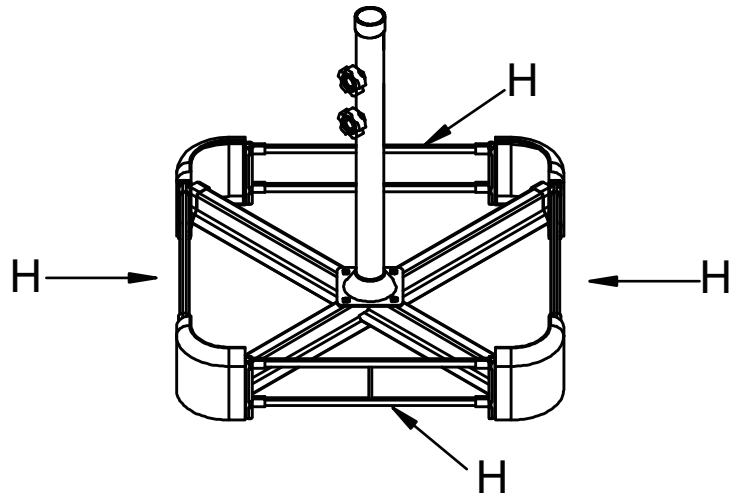


# ASSEMBLY INSTRUCTIONS

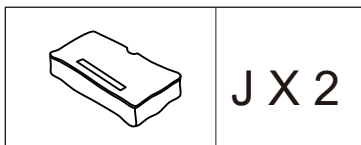
## STEP 4:



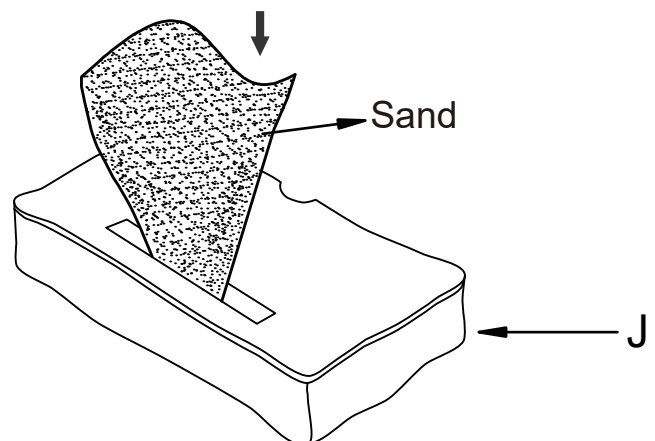
## STEP 5:



## STEP 6:

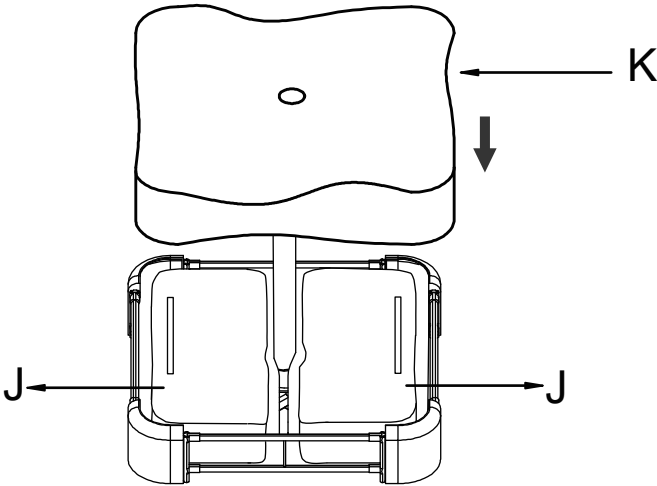
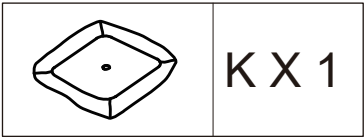


For proper stability of your offset umbrella. The recommended minimum weight of the sand to be placed into each sand bag is 67.5lbs for a total of 135lbs.

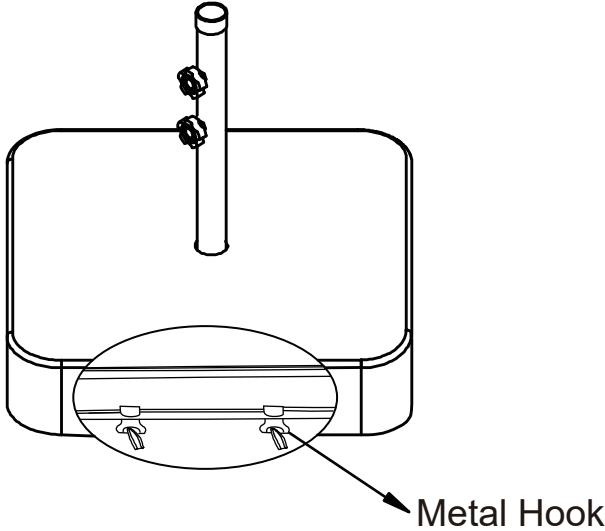


# ASSEMBLY INSTRUCTIONS

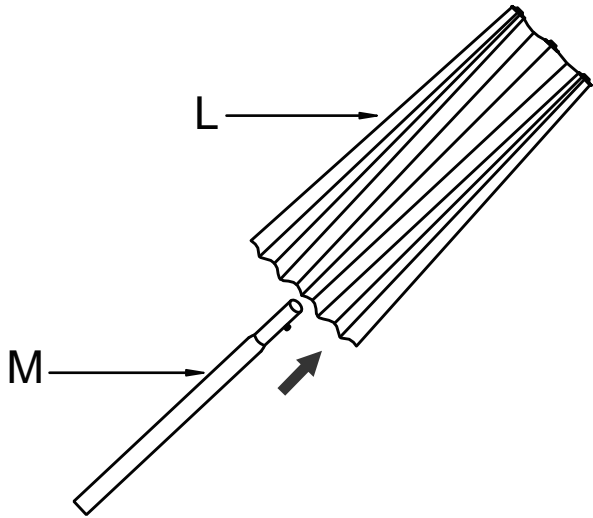
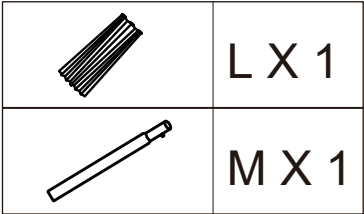
## STEP 7:



## STEP 8:

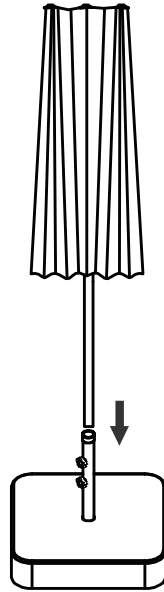


## STEP 9:

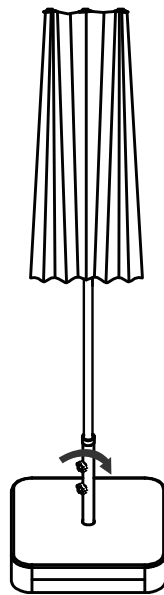


# ASSEMBLY INSTRUCTIONS

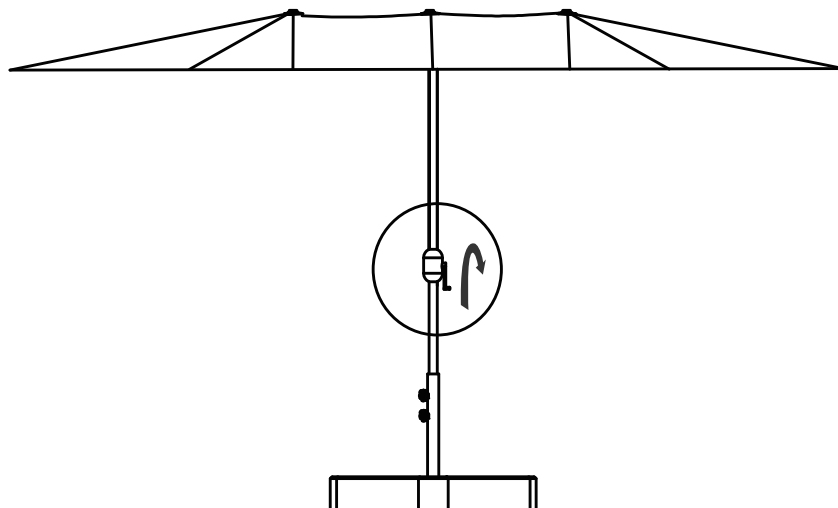
**STEP 10:**



**STEP 11:**



**STEP 12:**





Enjoy Cozy Life!

Thank you for purchasing KOZYARD's products.

**SUPPORT:**

Toll free: 1-866-355-0018

[www.kozyard.com](http://www.kozyard.com)

email: [support@kozyard.com](mailto:support@kozyard.com)

**SOCIAL MEDIA:**



Follow us on Instagram

[www.instagram.com/kozyard](http://www.instagram.com/kozyard)

**KOZYARD LLC**